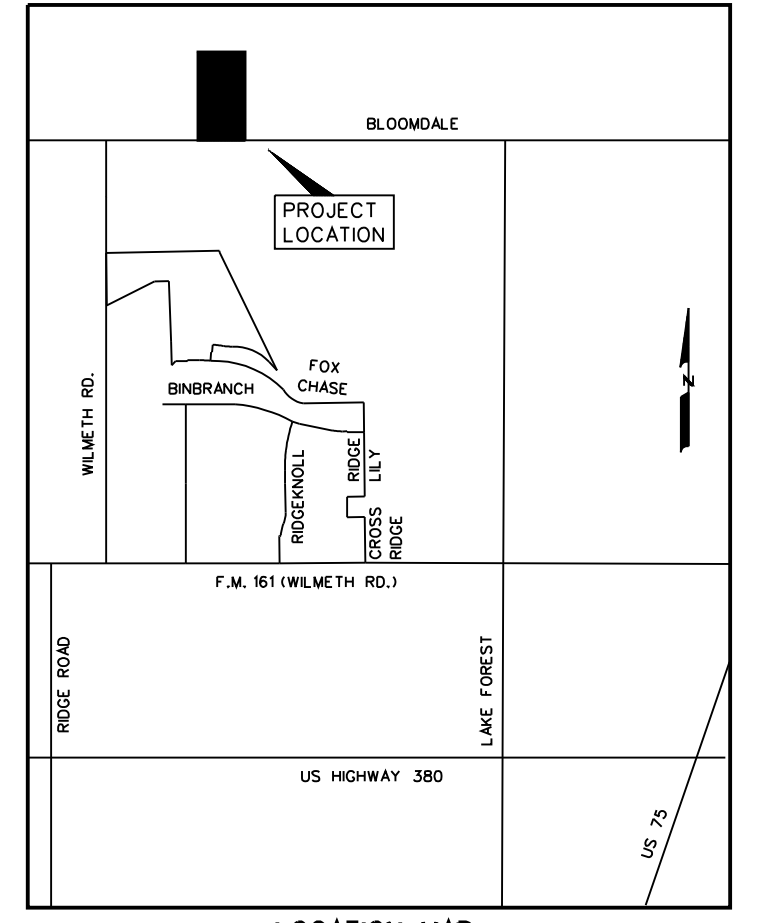
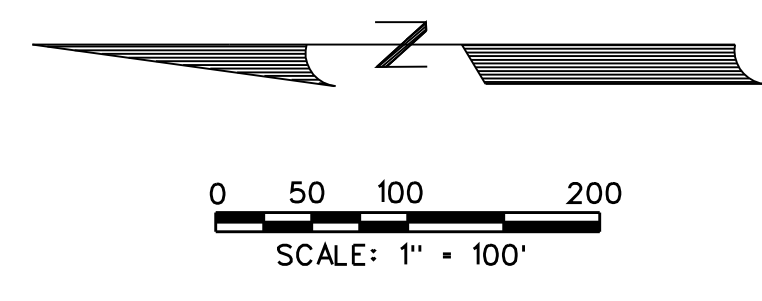


COMPARATIVE AREA PLAT, 65,541 ACRES, I.P.
DOC. NO. 201204117000446128

Baxter Well Road Baxter Well Road



LOCATION MAP
N.T.S.

ZONING EXHIBIT
OF
TRACTS 6, 7, 8, 10 & 11
53.834 ACRES
OUT OF
BLOOMRIDGE FARMS
TRACT 1-17
OUT OF THE
JOEL F. STEWARD SURVEY, ABSTRACT NO. 838
IN THE
COLLIN COUNTY, TEXAS
APPLICANT
SICILIANO DEVELOPMENT, INC.
17943 WINDFLOWER WAY
DALLAS, TEXAS 75252
PREPARED BY
CORWIN ENGINEERING, INC.
200 W. BELMONT, SUITE E
ALLEN, TEXAS 75013
972-396-1200
NOVEMBER 2016 SCALE: 1"=100'

RECEIVED
By Planning Department at 3:24 pm, Dec 27, 2016