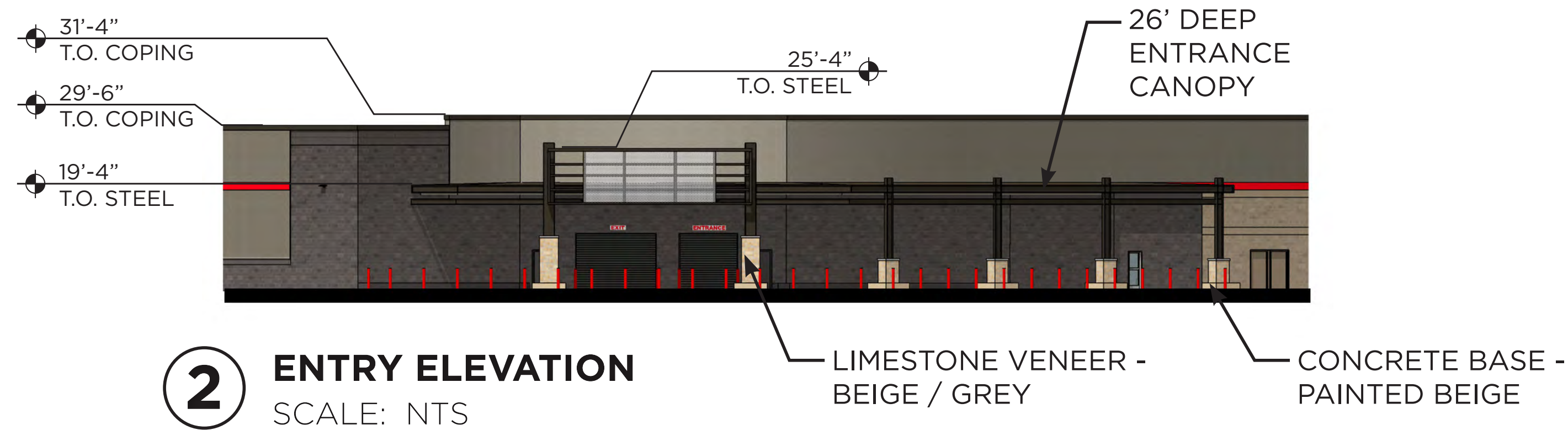
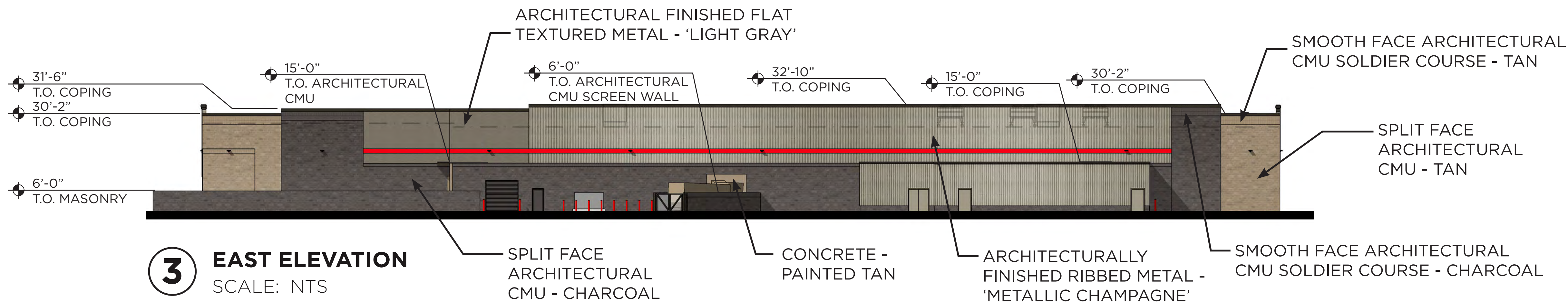


1 SOUTH ELEVATION
SCALE: NTS

South Elevation		
Material	Square Footage	Percentage
Limestone Veneer	104	0.74%
Tan Arch. CMU	2420	17.11%
Charcoal Arch. CMU	4743	33.54%
Arch. Textured Metal Panel	4397	31.09%
Arch. Ribbed Metal Panel	2031	14.36%
Concrete	550	3.89%
Total	14141	100.00%
Accent Stripe (Red Primary Color)	285	2.02%

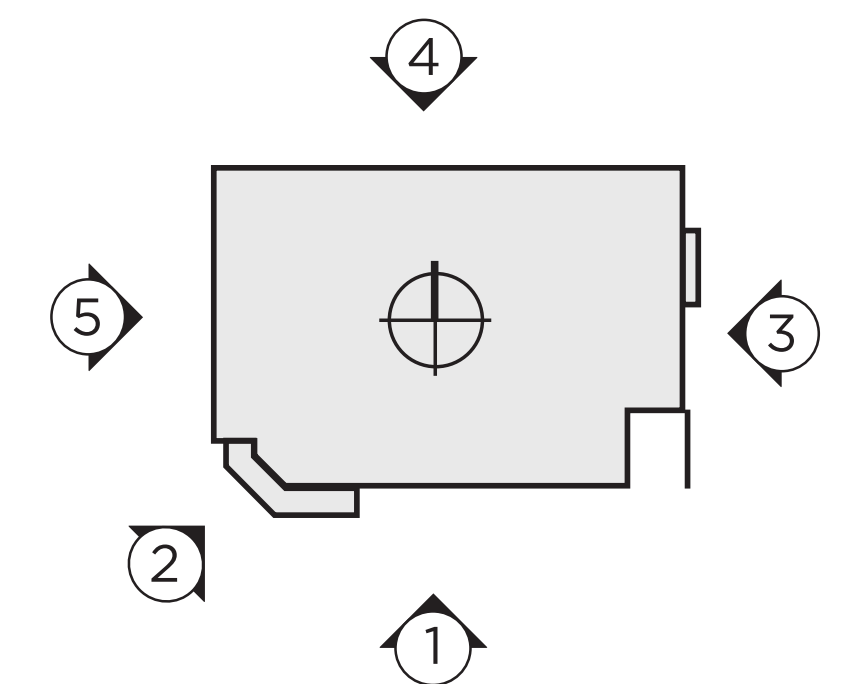


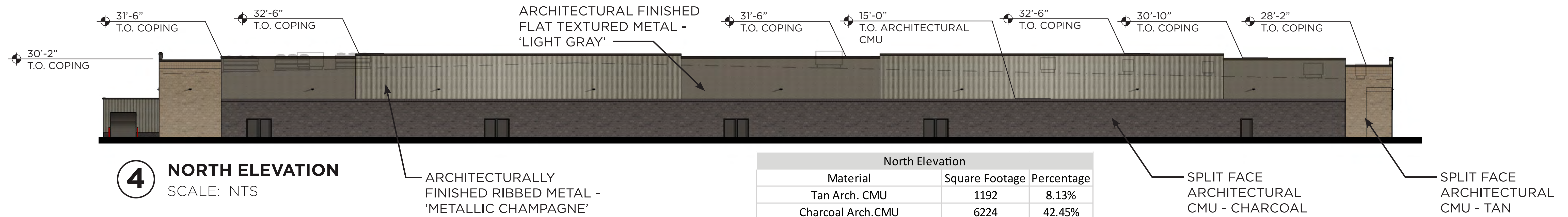
2 ENTRY ELEVATION
SCALE: NTS



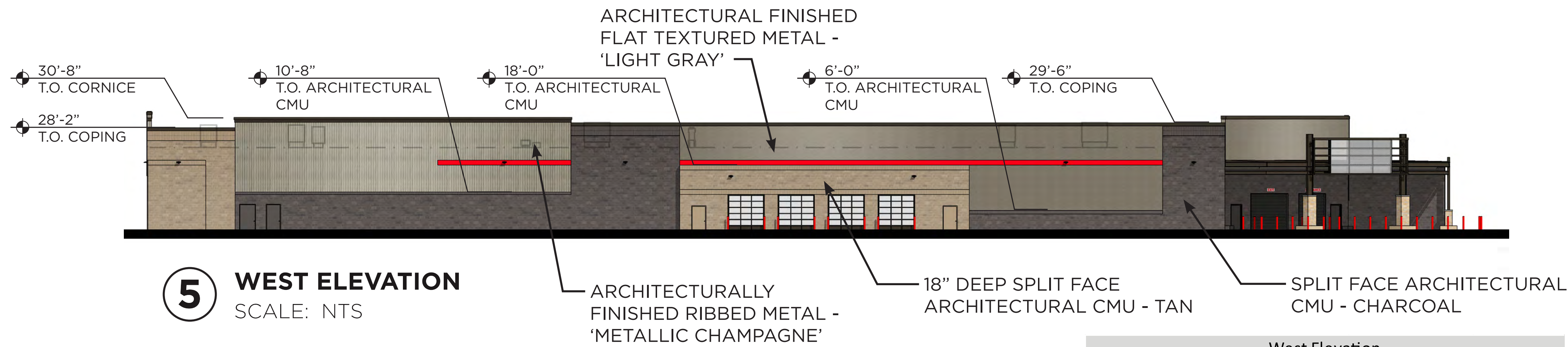
3 EAST ELEVATION
SCALE: NTS

East Elevation		
Material	Square Footage	Percentage
Tan Arch. CMU	1326	12.56%
Charcoal Arch. CMU	3972	37.61%
Arch. Textured Metal Panel	797	7.55%
Arch. Ribbed Metal Panel	4414	41.80%
Concrete	51	0.48%
Total	10560	100.00%
Accent Stripe (Red Primary Color)	327	3.10%

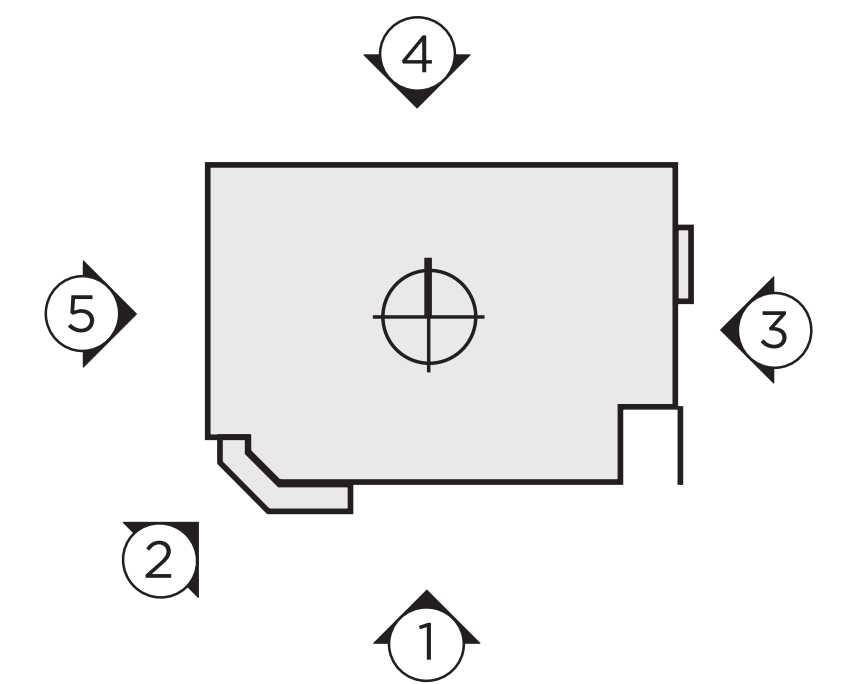
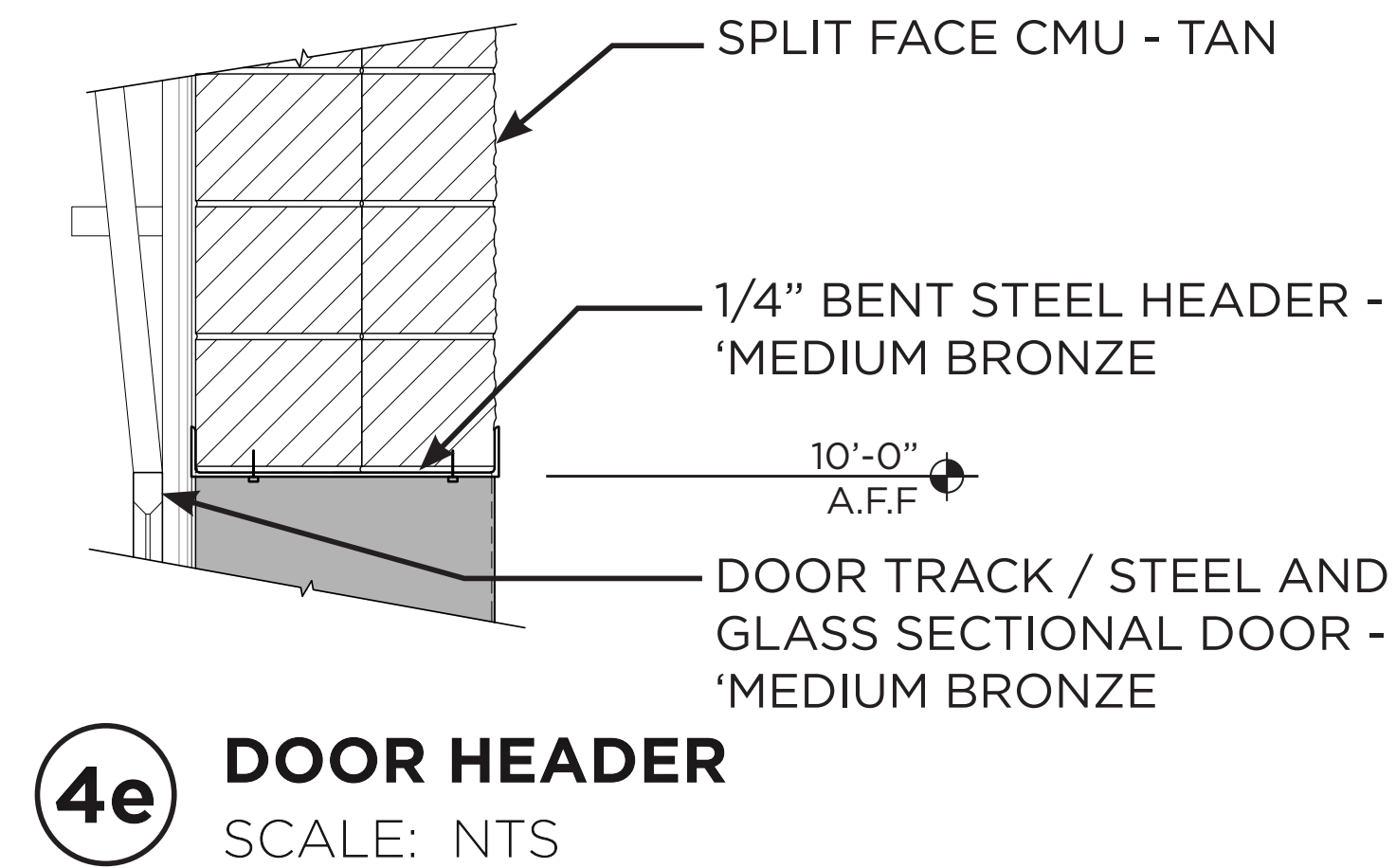
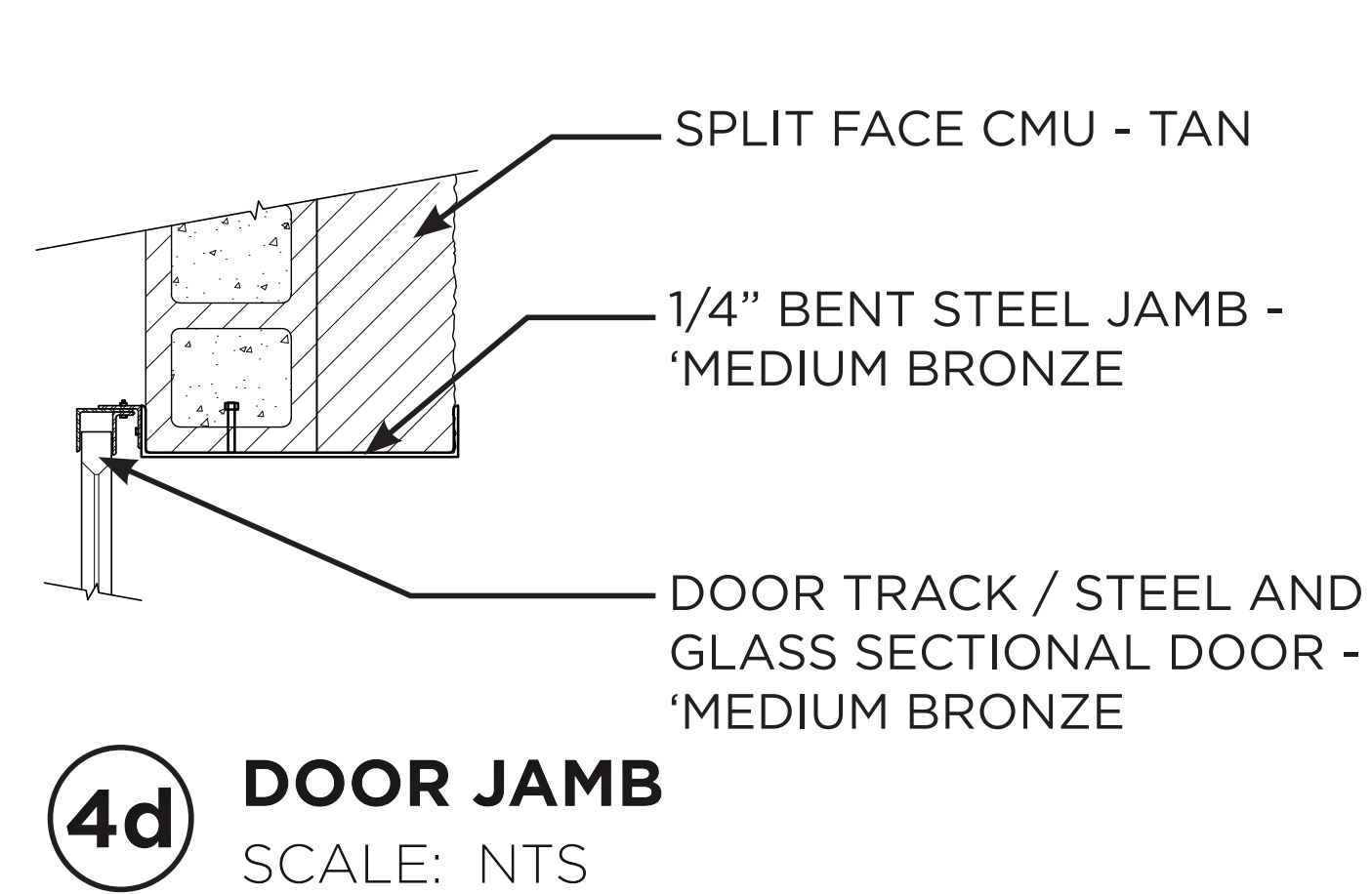
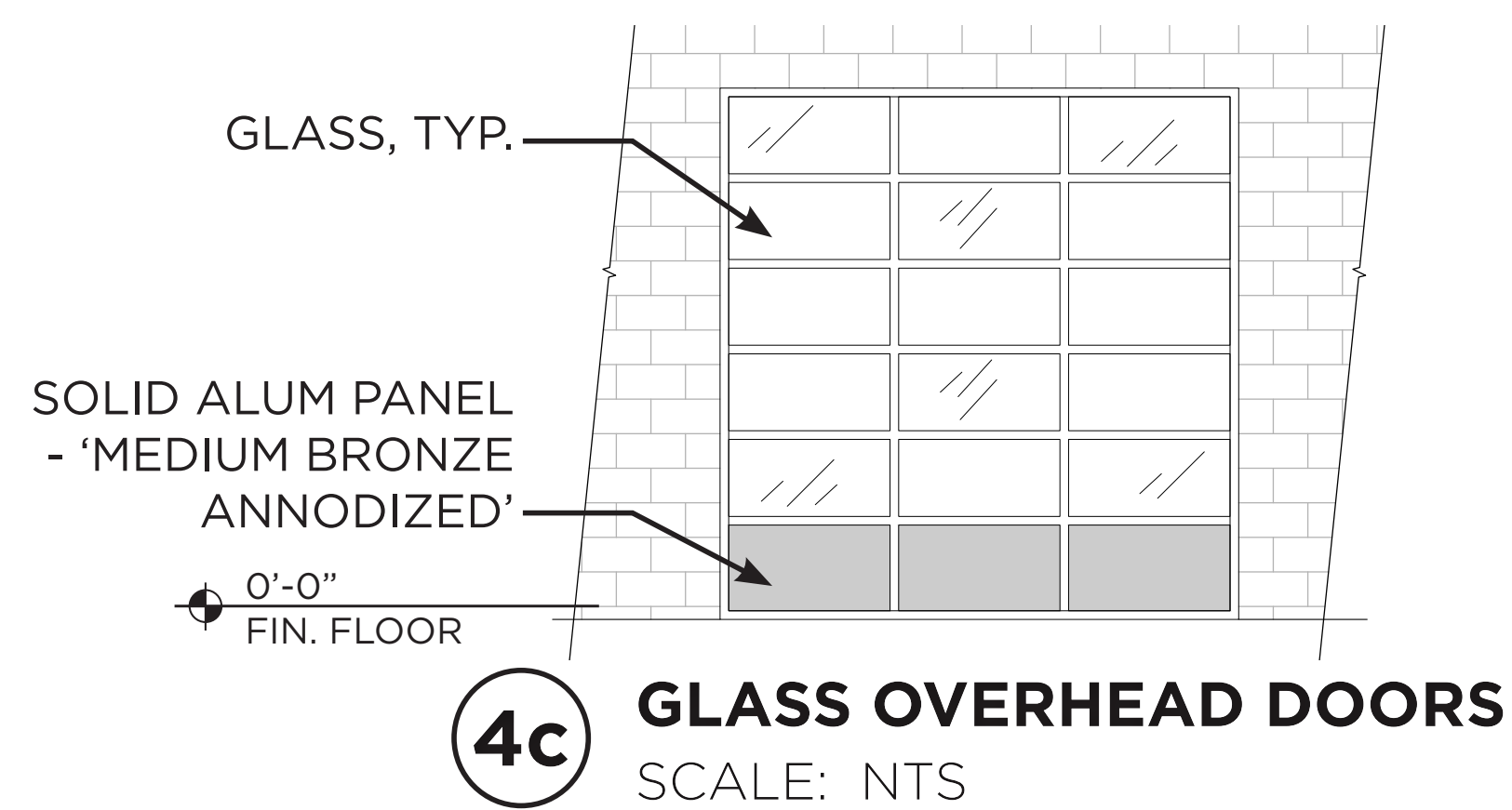


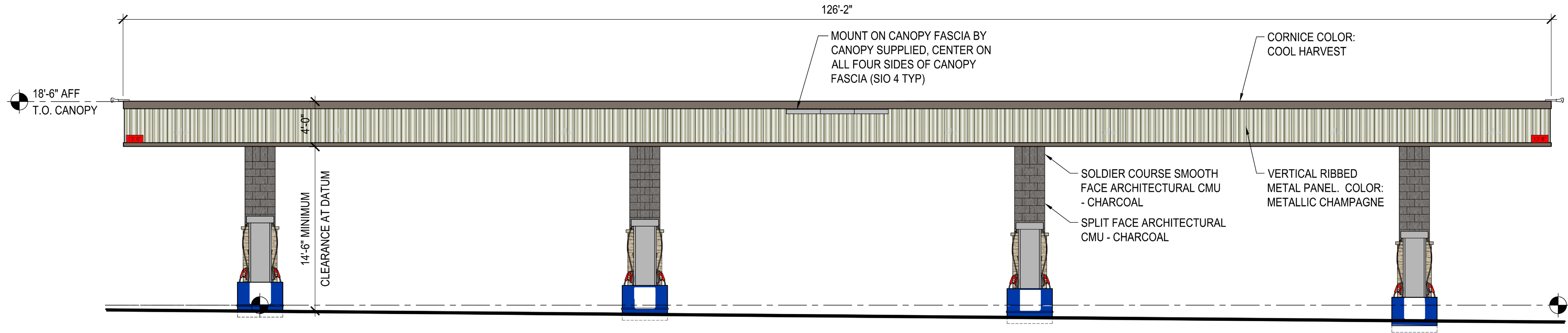


North Elevation		
Material	Square Footage	Percentage
Tan Arch. CMU	1192	8.13%
Charcoal Arch.CMU	6224	42.45%
Arch. Textured Metal Panel	2728	18.61%
Arch. Ribbed Metal Panel	4517	30.81%
Concrete	0	0.00%
Total	14661	100.00%
Accent Stripe (Red Primary Color)	0	0.00%



West Elevation		
Material	Square Footage	Percentage
Tan Arch. CMU	2457	28.38%
Charcoal Arch.CMU	2450	28.30%
Arch. Textured Metal Panel	2039	23.55%
Arch. Ribbed Metal Panel	1711	19.76%
Concrete	0	0.00%
Total	8657	100.00%
Accent Stripe (Red Primary Color)	224	2.59%

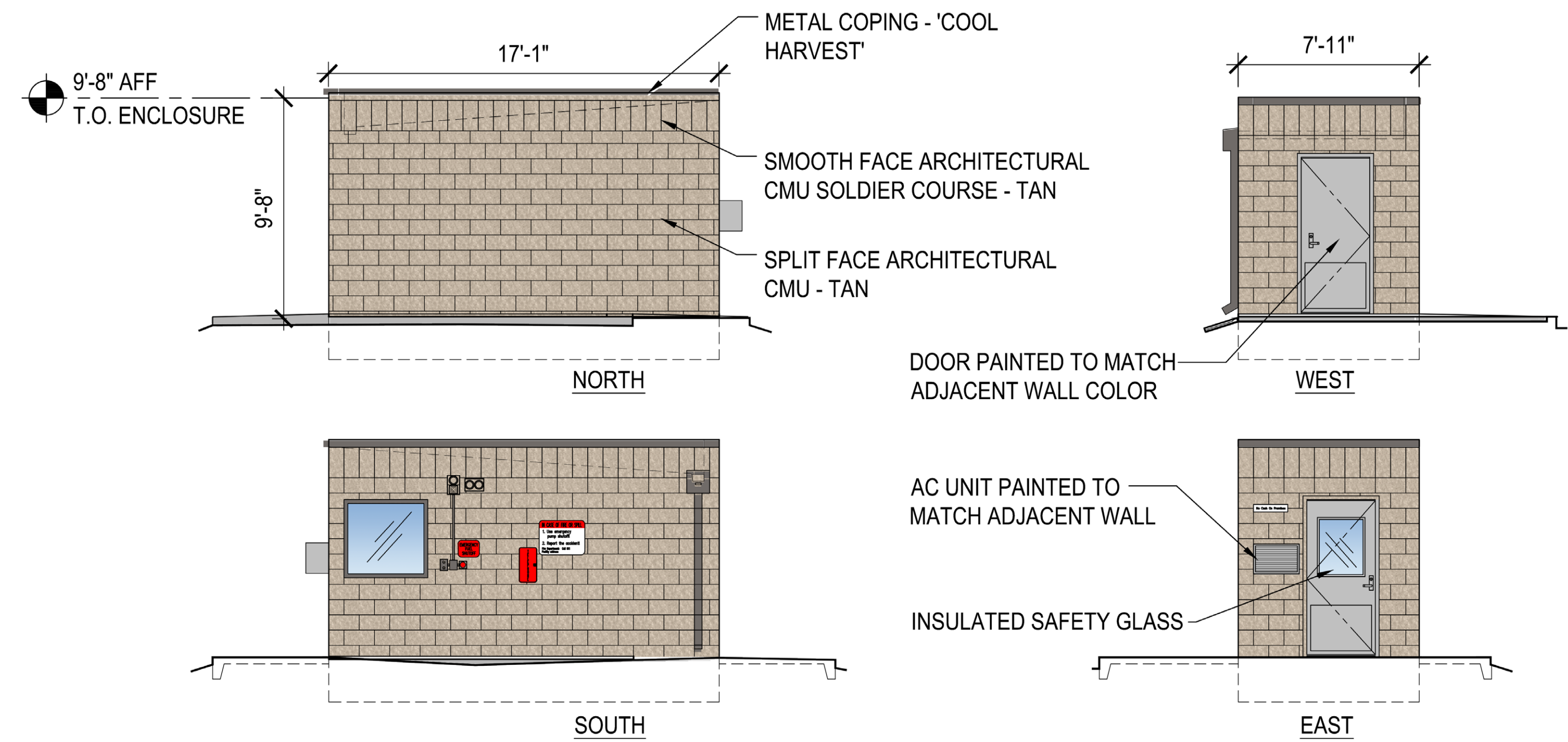




1 EAST/WEST ELEVATIONS
SCALE: 1/4" = 1'-0"



2 NORTH/SOUTH ELEVATIONS
SCALE: 1/4" = 1'-0"



3 CONTROLLER ENCLOSURE
SCALE: 1/4" = 1'-0"