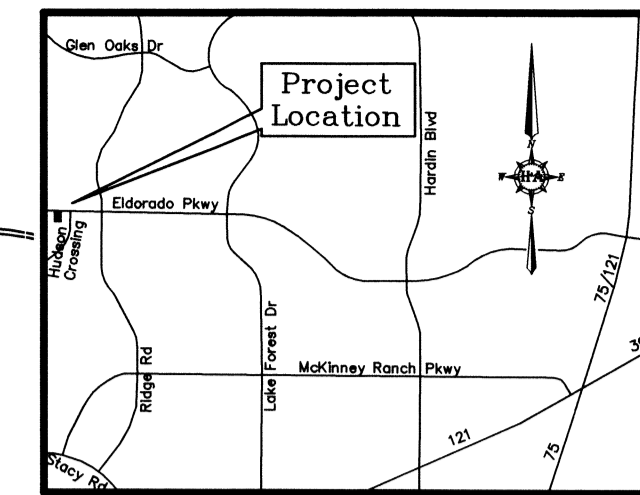


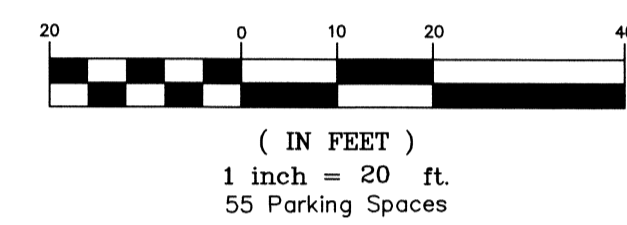
Eldorado Parkway
(Vol 5773, Pg 4290 DRCCCT)
(a 120' right-of-way)



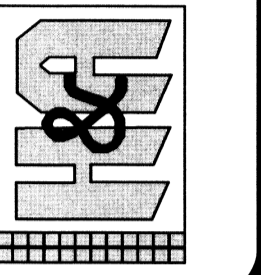
Vicinity Map
not to scale



GRAPHIC SCALE



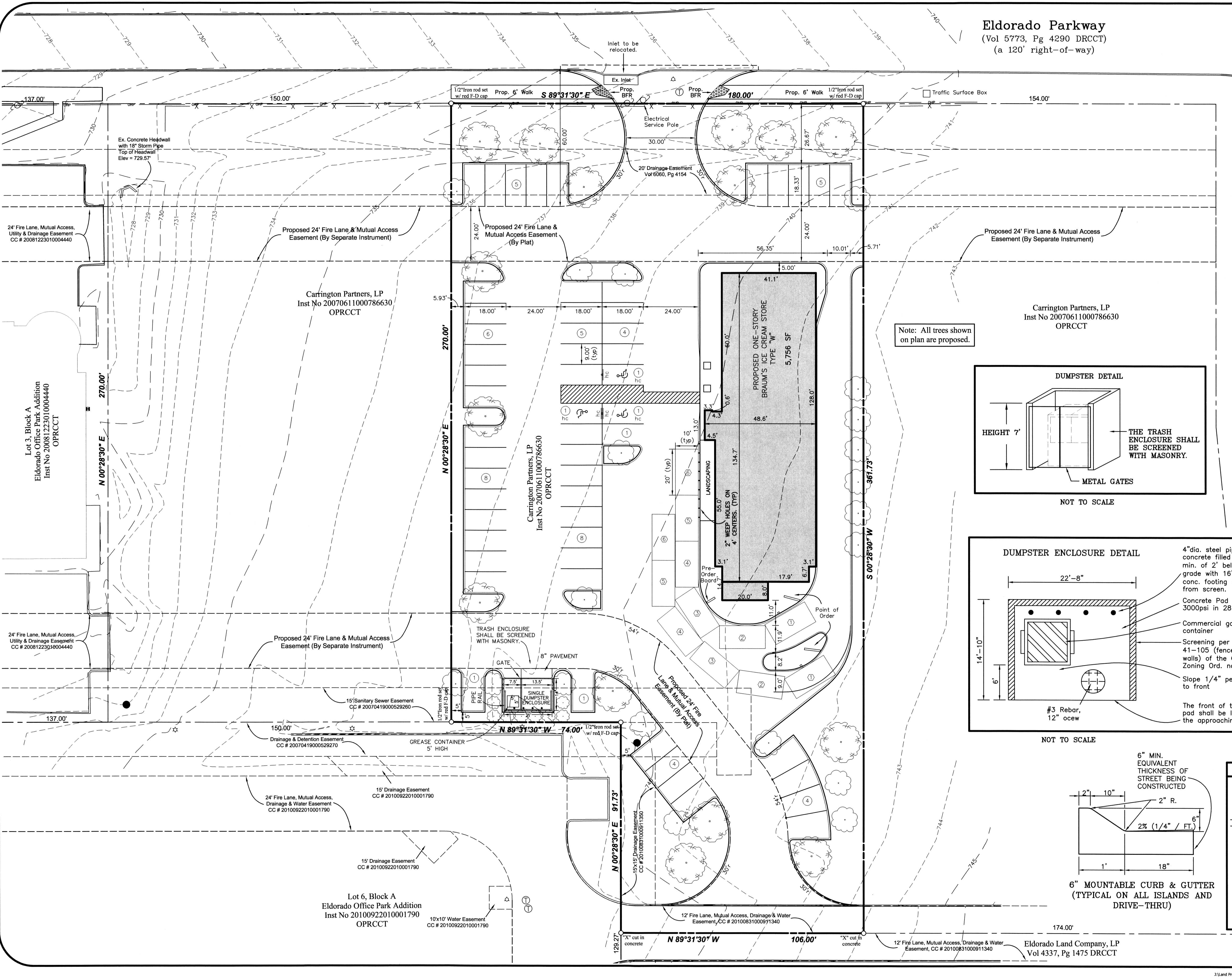
HERSEY & ASSOCIATES
CONSULTING ENGINEERS • SURVEYORS • PLANNERS
Texas Registered Engineering Firm No. F-1242
Texas Licensed Surveying Firm No. 101021-00
8550 Meadow Rd., Suite 198, Dallas, Texas 75231
Phone: 214.343.6222 Fax: 214.368.0333



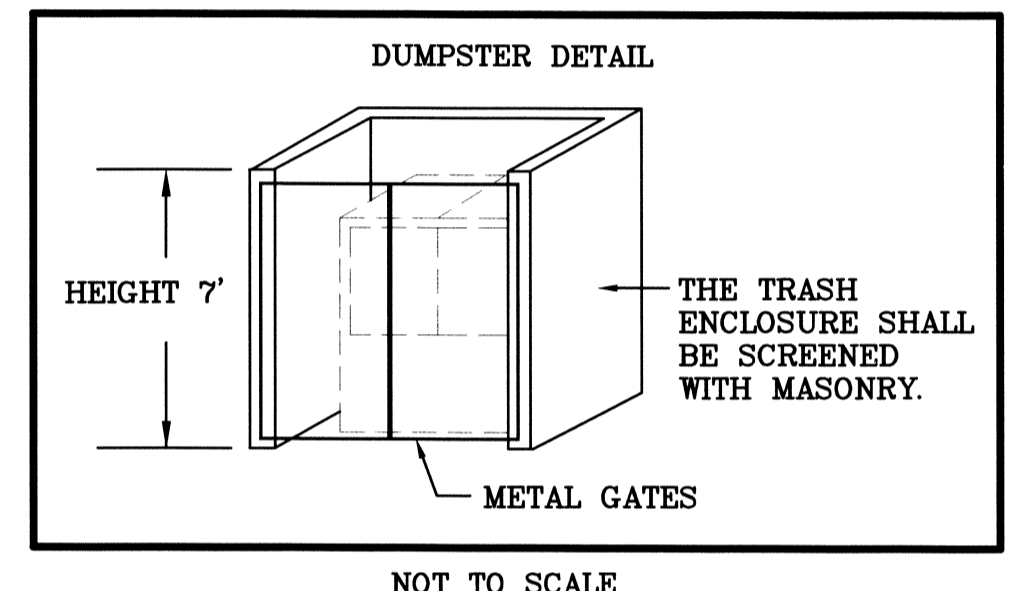
SITE PLAN
BRAUM'S ICE CREAM
STORE, TYPE W

1.33892 acres out of the
George Herndon Survey, Abstract No. 390
City of McKinney, Collin County, Texas

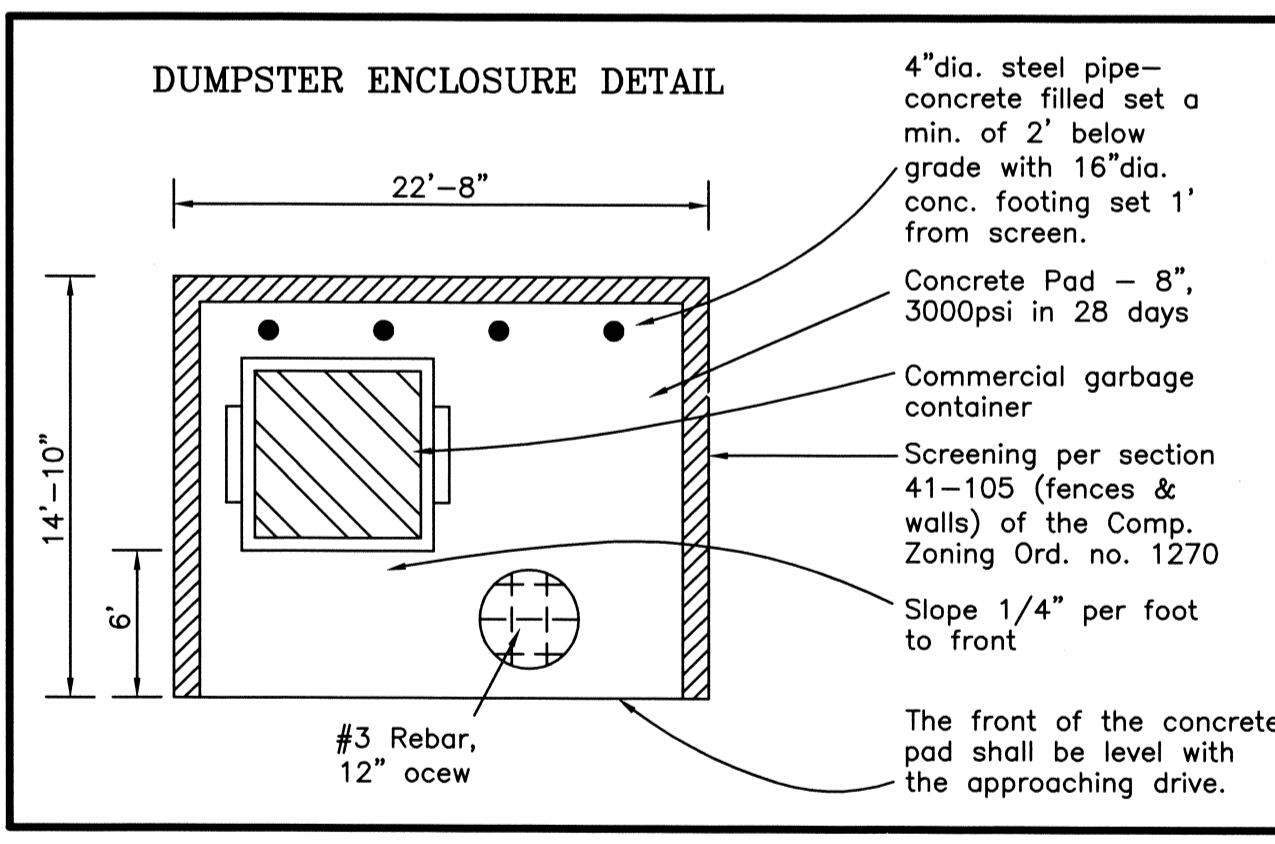
DRAWN BY: *M. Potter*
DATE: **May 12, 2011**
DRAWING FILE: *Site Plan*
JOB NO.: **2413**
SCALE: **1"=20'**
REVISIONS:



Note: All trees shown on plan are proposed.

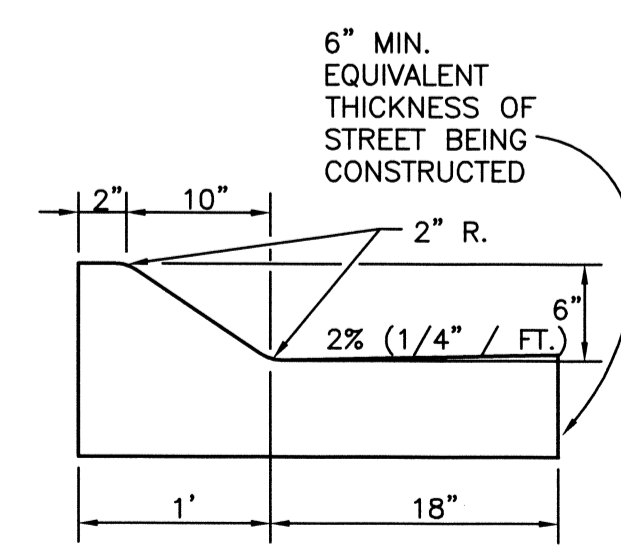


NOT TO SCALE



NOT TO SCALE

Hudson Crossing
(a variable width right-of-way)



6" MOUNTABLE CURB & GUTTER
(TYPICAL ON ALL ISLANDS AND DRIVE-THRU)

LEGEND	
AC	~ Acre
CC	~ County Clerk
BFR	~ Barrier Free Ramp
Inst	~ Instrument
SF	~ Square Feet
OHP	~ Overhead Power Line
-X-	~ Fence
⊕	~ Existing Fire Hydrant
⊙	~ Gas Meter
⊙	~ Existing Manhole
⊙	~ Existing Water Valve
⊙	~ Light Pole
⊙	~ Power Pole
⊙	~ Sign
DRCCCT	~ Deed Records, Collin County, Texas
LRCCCT	~ Land Records, Collin County, Texas
OPRCCT	~ Official Public Records, Collin County, Texas

Eldorado Land Company, LP
Vol 4337, Pg 1475 DRCCCT