

Advance Auto Parts 

Submittal

**104 W. University Drive
McKinney, TX**

September 15, 2016



Ph: 1 . 855 . 525 . 6261
Fax: 1 . 574 . 237 . 6166

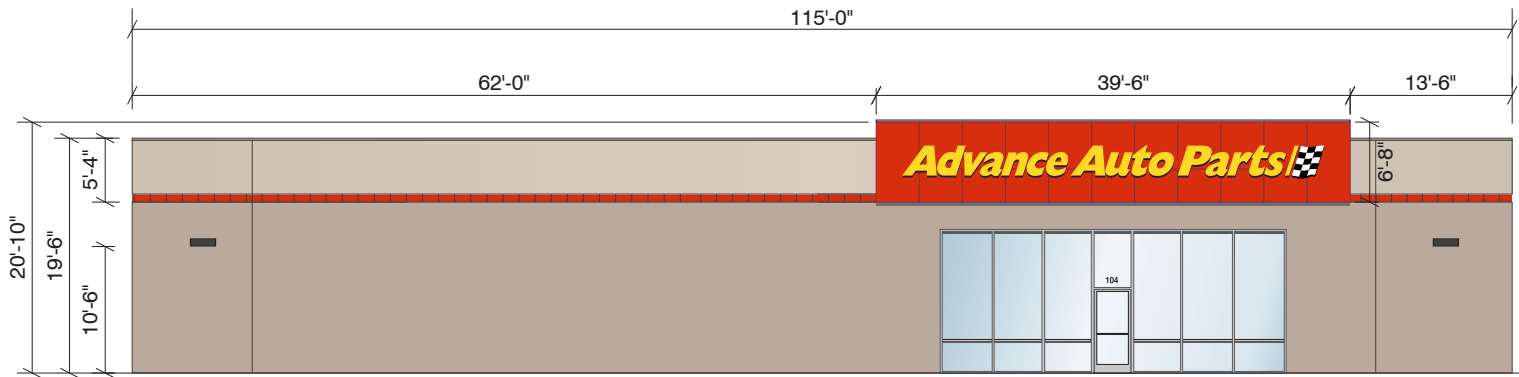
www.siteenhancementservices.com

A1 30" Channel Letterset: 88 SF

A2 30" Channel Letterset: 88 SF

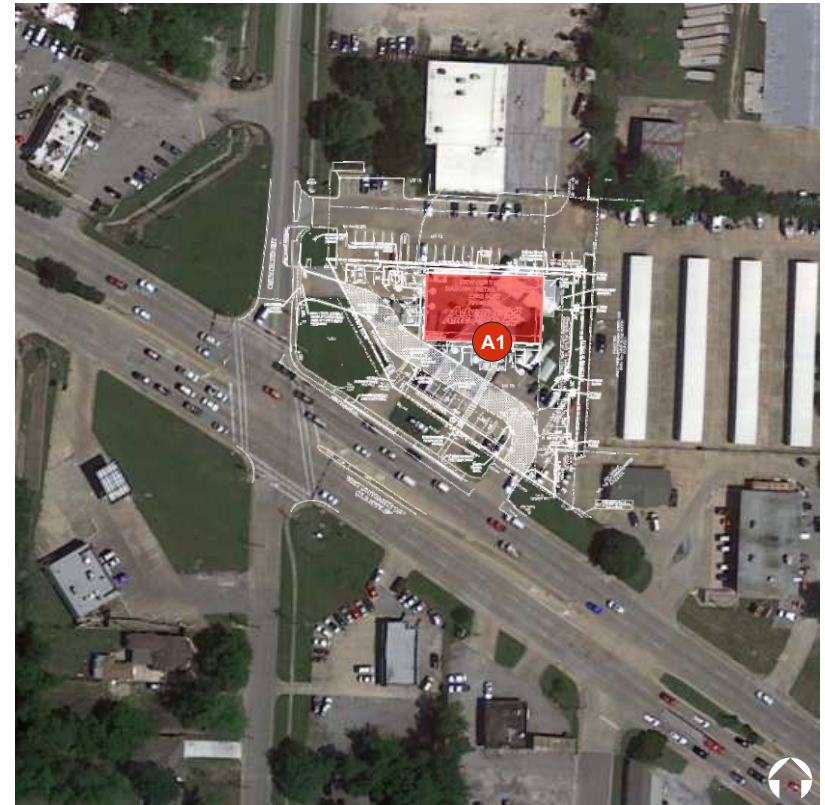
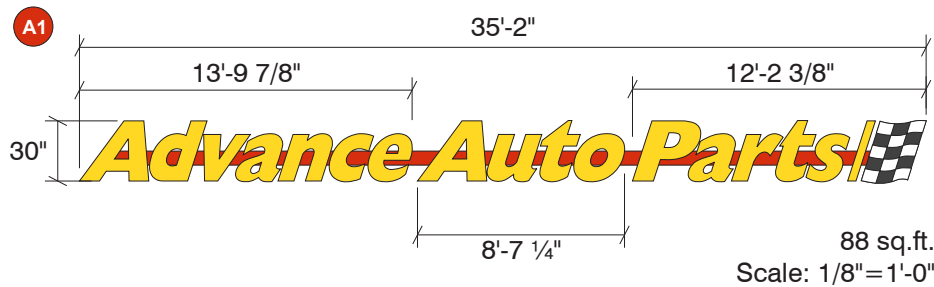


Size and placement of signage is approximate.

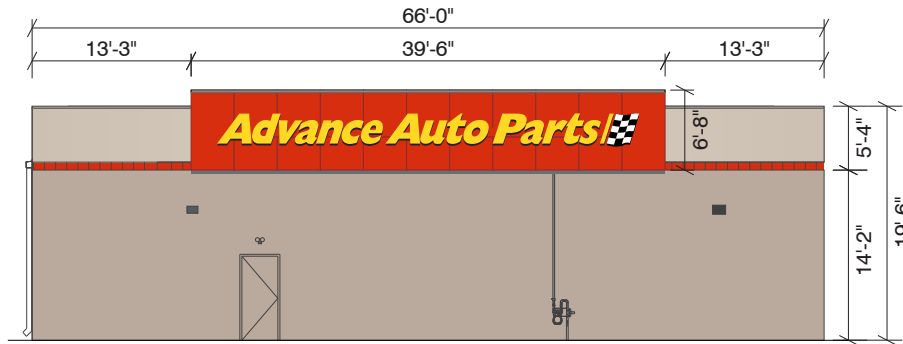


FRONT ELEVATION

Scale: 1/16" = 1'-0"

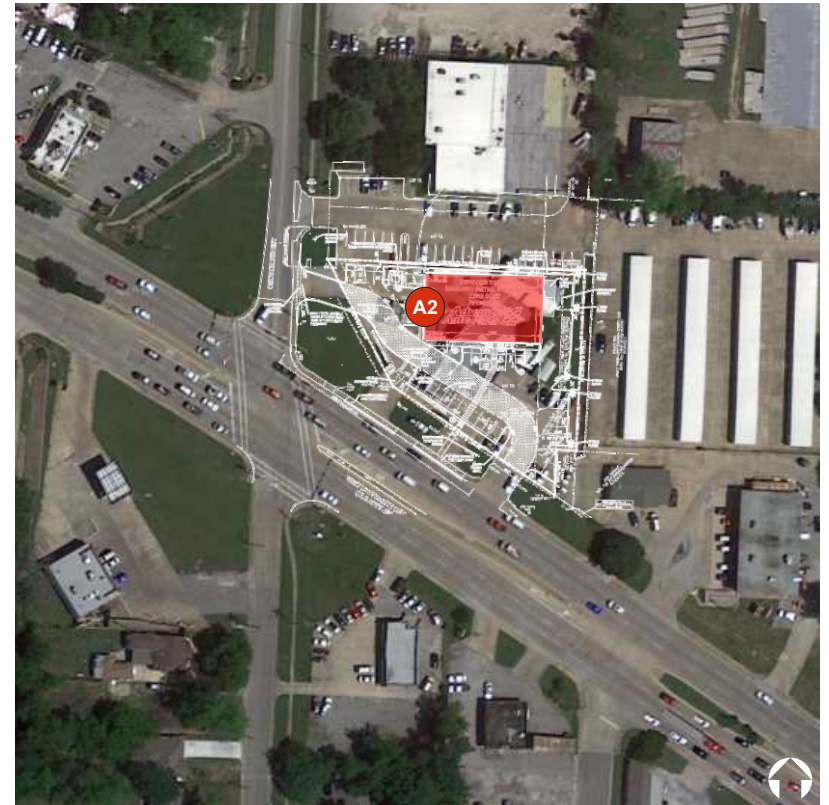
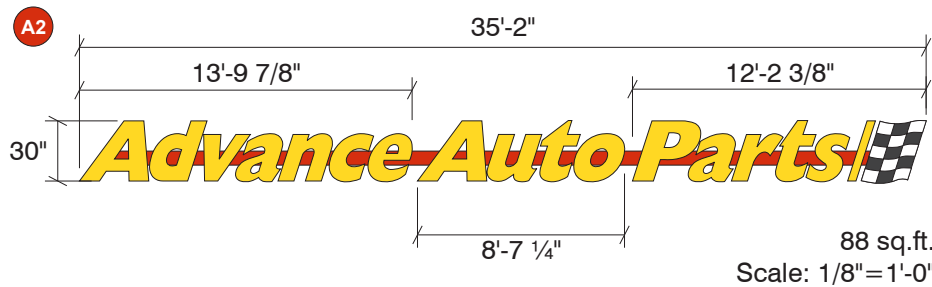


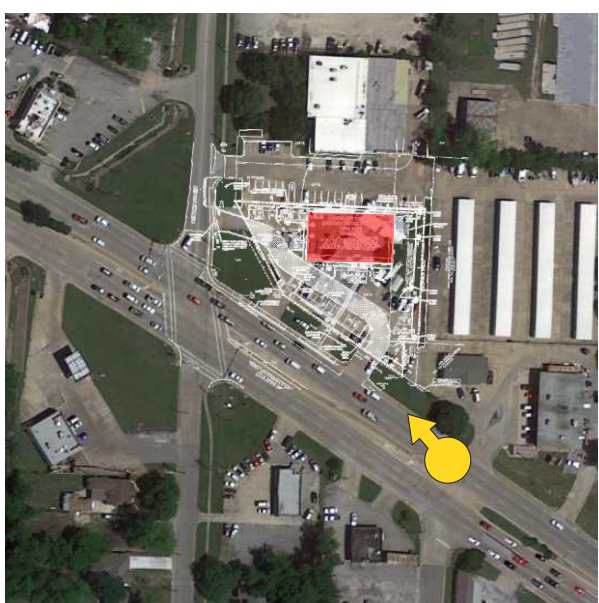
Size and placement of signage is approximate.



LEFT ELEVATION

Scale: 1/16" = 1'-0"





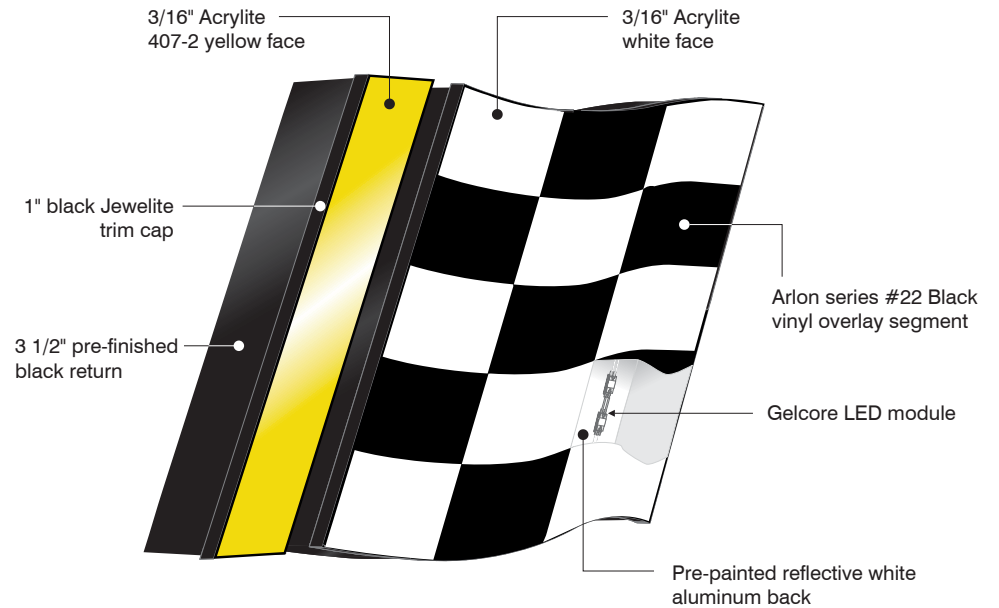
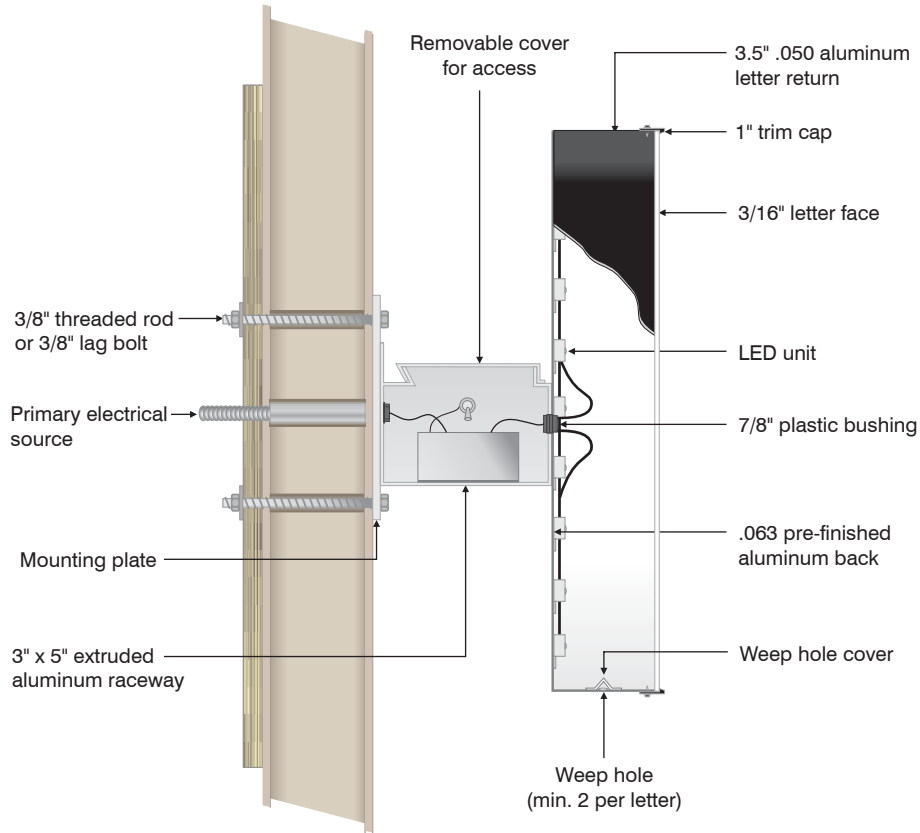
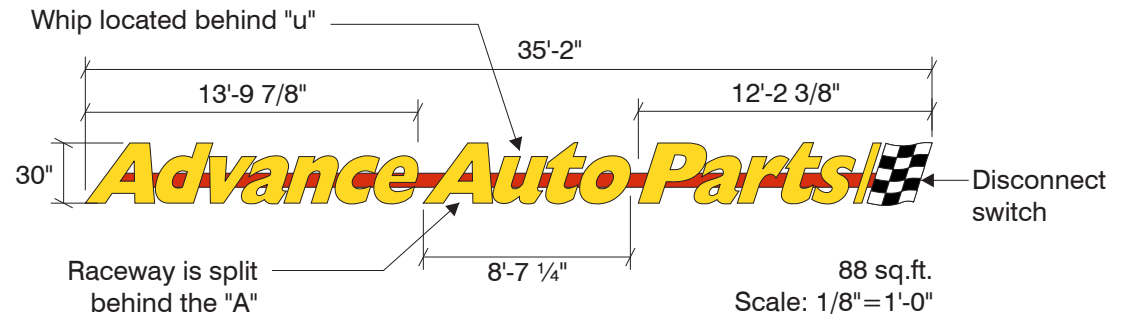
Westbound



Eastbound

A1 A2 30" Yellow Channel Letterset

POWER SUPPLY: Gelcore model GECLPS3 or GECLPS4 (UL classified)
 LED UNIT: Gelcore (5 per ft.)
 DISCONNECT SWITCH: 20 amp toggle safety switch, single pole with rubber boot (UL approved)



Sign components to be in strict compliance with all UL standards. 