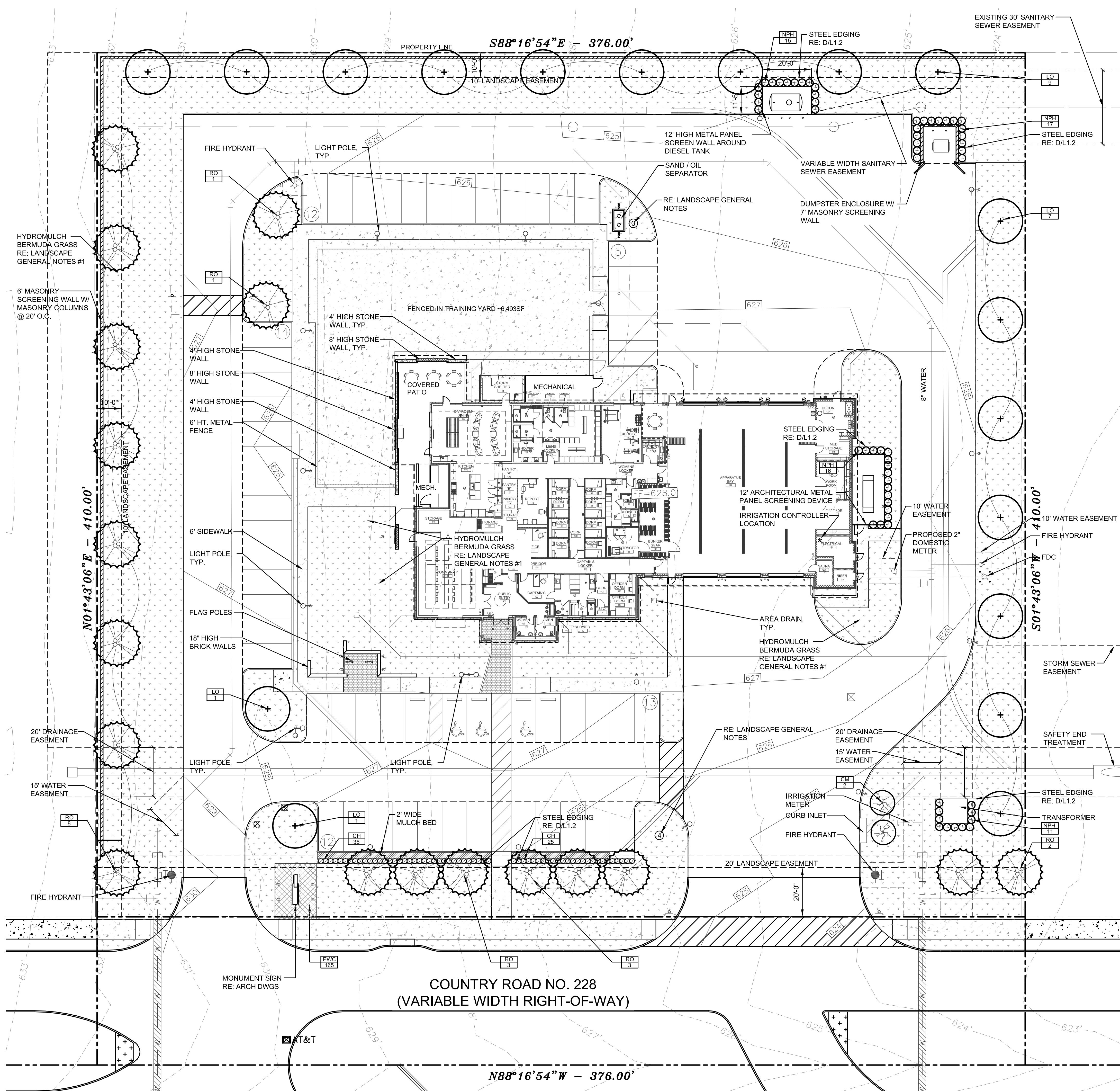


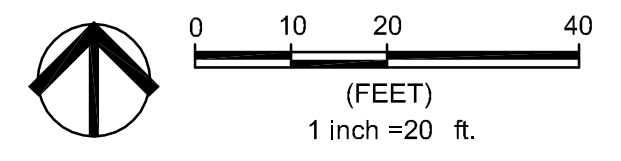
CITY OF MCKINNEY LANDSCAPE ORDINANCE

CATEGORY	REQUIRED	PROVIDED
TREE PRESERVATION	ALL TREES PRESERVED	THERE ARE NO EXISTING TREES ON SITE.
LANDSCAPE BUFFER	-ONE CANOPY TREE REQUIRED EVERY 40' WITHIN LANDSCAPE BUFFERS -10' LANDSCAPE BUFFER REQUIRED ON NORTH & WEST PROPERTY LINE -20' LANDSCAPE BUFFER REQUIRED ON COUNTRY ROAD NO 228 NORTH PROPERTY LINE: - 376 L.F. / 40 = 9 TREES REQUIRED COUNTRY ROAD NO 228: - 376 L.F. / 40 = 9 TREES REQUIRED WEST PROPERTY LINE: - 345 L.F. / 40 = 8 TREE REQUIRED	33-CANOPY TREES TOTAL PROVIDED 10' & 20' LANDSCAPE BUFFER PROVIDED
PARKING LOT TREES (56 SPACES)	1-CANOPY TREE FOR EACH 10 PARKING SPACES (56 / 10 = (6-LARGE TREES REQUIRED)	4-CANOPY TREES PROVIDED 2-EXEMPT
OFF-STREET PARKING AREAS ADJACENT TO STREETS	PARKING FRONTING ONTO R.O.W. WILL NEED TO BE SCREENED WITH EVERGREEN SHRUBS.	PROVIDED
PARKING INTERIOR	- PROVIDE A TERMINUS ISLAND WITH A CANOPY TREE AT THE END OF EVERY PARKING ROW - A LANDSCAPE ISLAND WITH A CANOPY TREE MUST BE LOCATED WITHIN 65 FEET OF EVERY PARKING SPACE - LANDSCAPE AREAS WITHIN PARKING LOTS MUST BE AT LEAST ONE PARKING SPACE IN SIZE (162 SQUARE FEET).	PROVIDED

- LANDSCAPE GENERAL NOTES:**
- LANDSCAPE CONTRACTOR SHALL VERIFY WATER RESTRICTIONS WITHIN THE CITY OF MCKINNEY AT TIME OF PLANTING. SHOULD WATER RESTRICTIONS NOT ALLOW HYDRO-MULCH, HYDRO-SEEDING, OR SPRIGGING (STAGE 3 AND STAGE 4 WATER RESTRICTIONS) CONTRACTOR TO PROVIDE PRICING TO INSTALL SOLID SOD BERMUDA GRASS.
 - ALL REQUIRED LANDSCAPE AREAS SHALL BE PROVIDED WITH AN AUTOMATIC UNDERGROUND IRRIGATION SYSTEM WITH RAIN AND FREEZE SENSORS AND EVAPOTRANSPIRATION (ET) WEATHER BASED CONTROLLERS. IRRIGATION SYSTEM SHALL BE DESIGNED BY A QUALIFIED PROFESSIONAL AND INSTALLED BY A LICENSED IRRIGATOR.
 - NO TREE ALLOWED WITHIN 50' OF SAND / OIL INTERCEPTOR.
 - NO TREE ALLOWED DUE TO FIRE DEPARTMENT VIEW RESTRICTIONS PULLING OUT FROM APPARATUS BAY.



A LANDSCAPE PLAN
SCALE: 1" = 20'-0"
PLAN VIEW



10.10.2018

© 2018 CONDUIT ARCHITECTURE + DESIGN, L.L.C. THE DRAWINGS AND ALL INFORMATION HEREIN IS THE EXCLUSIVE PROPERTY OF CONDUIT ARCHITECTURE + DESIGN AND IS NOT TO BE COPIED OR USED IN ANY WAY WITHOUT THE EXPRESS WRITTEN CONSENT OF CONDUIT ARCHITECTURE + DESIGN, L.L.C. ALL DRAWINGS, SPECIFICATIONS, DETAILS, DESIGNS, AND ARRANGEMENTS APPEARING HEREIN CONSTITUTE THE ORIGINAL AND UNPUBLISHED WORK OF CONDUIT ARCHITECTURE + DESIGN, L.L.C.

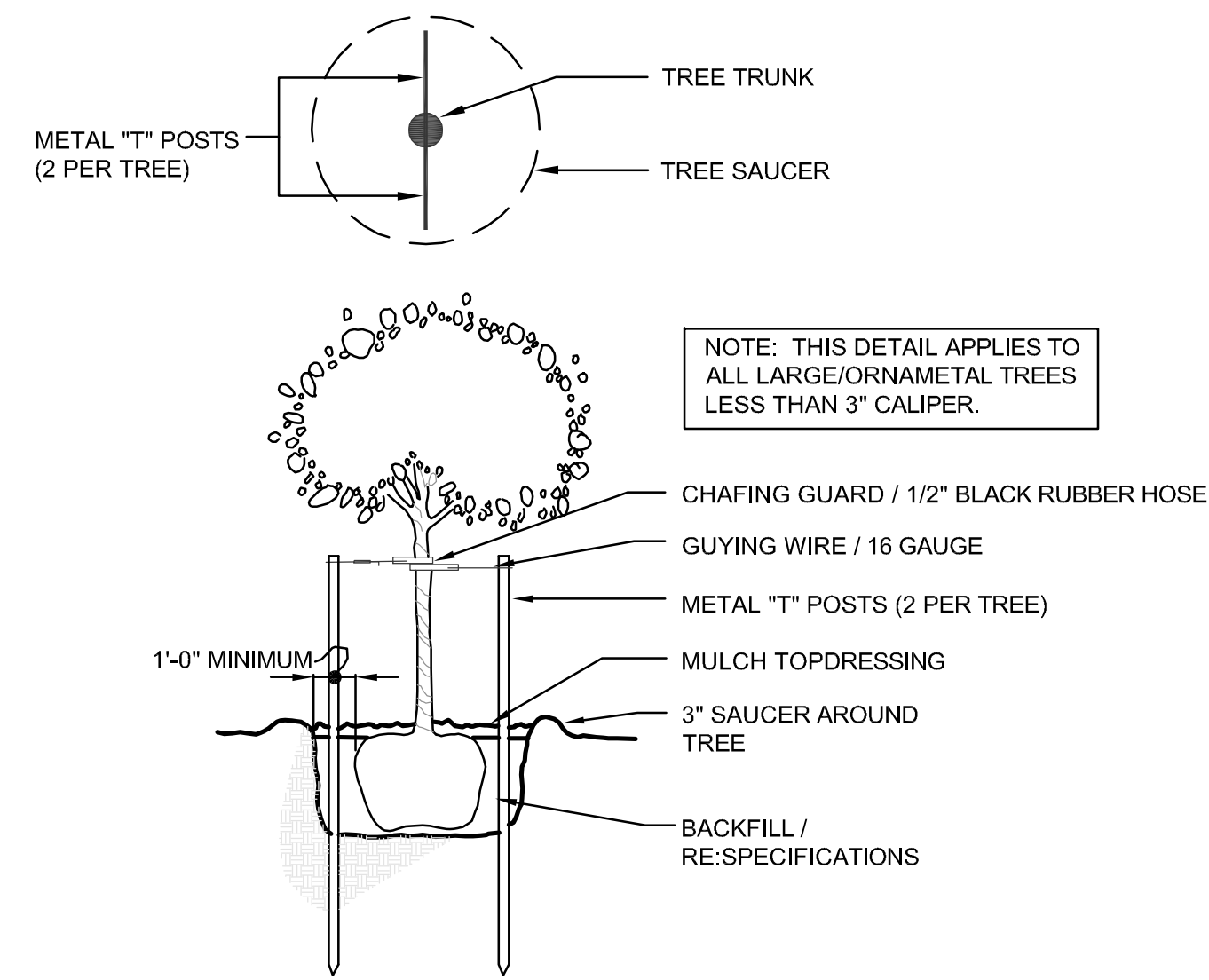
conduit
architecture + design, llc
402 Parker Street
McKinney, Texas
972.302.9747
conduitatd.com

DCBA
LANDSCAPE ARCHITECTURE
dcbadesign.com
730 EAST PARK BOULEVARD • SUITE 100
PLANO, TX 75074 • TEL: (972) 509-4266

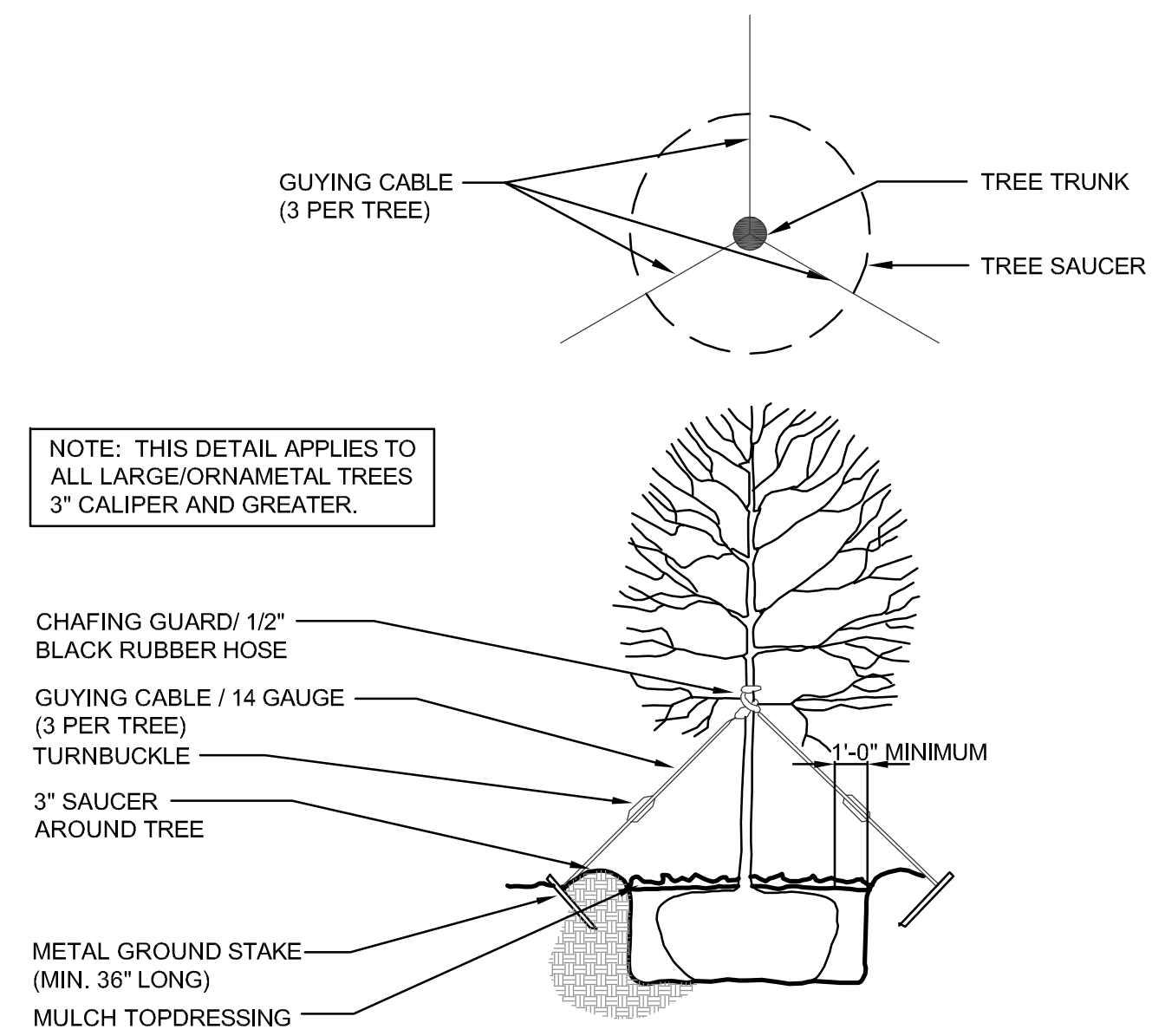
McKinney Fire Station No. 10
1150 COUNTRY ROAD 228
MCKINNEY, TX 75071

REV.#	DESCRIPTION	DATE
1		
2		
3		
4		
5		

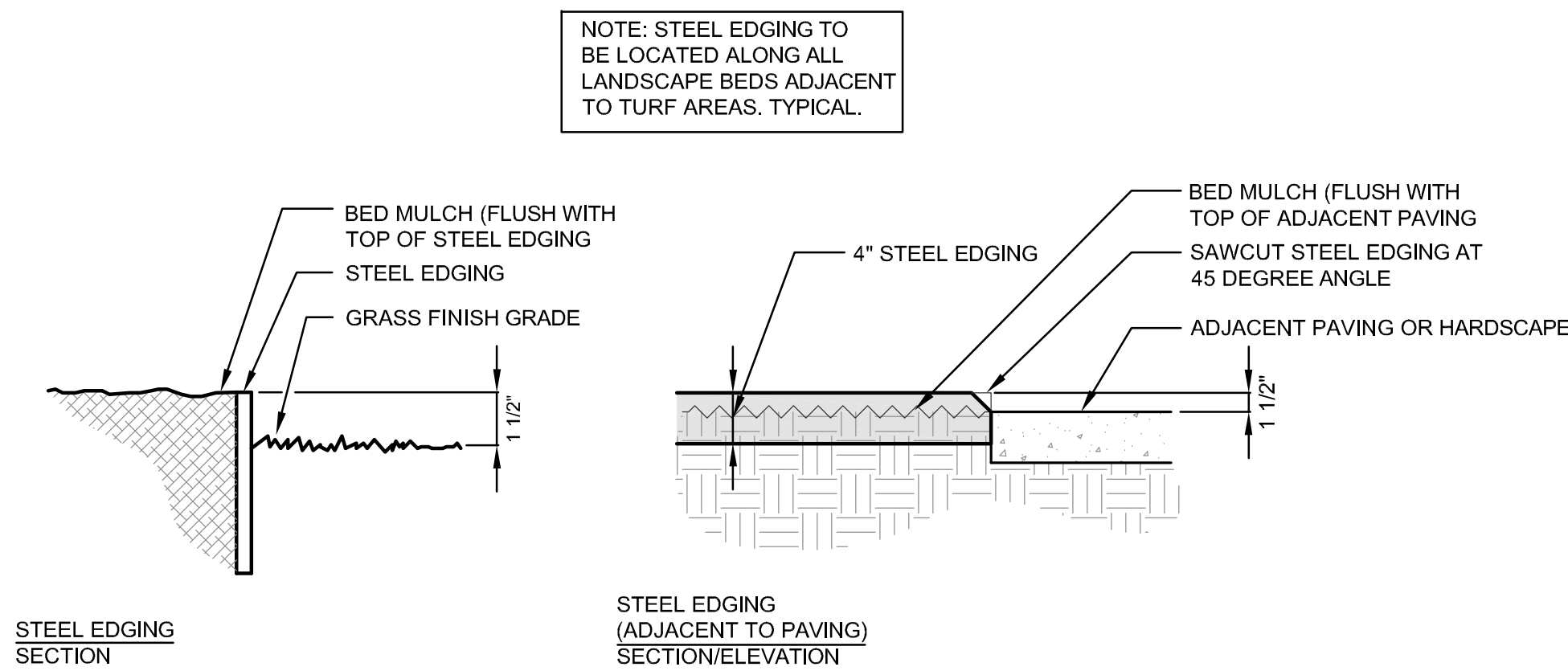
PROJECT NUMBER
1805
DATE
10.10.2018
SHEET TITLE
LANDSCAPE PLAN
SHEET NUMBER
L1.1



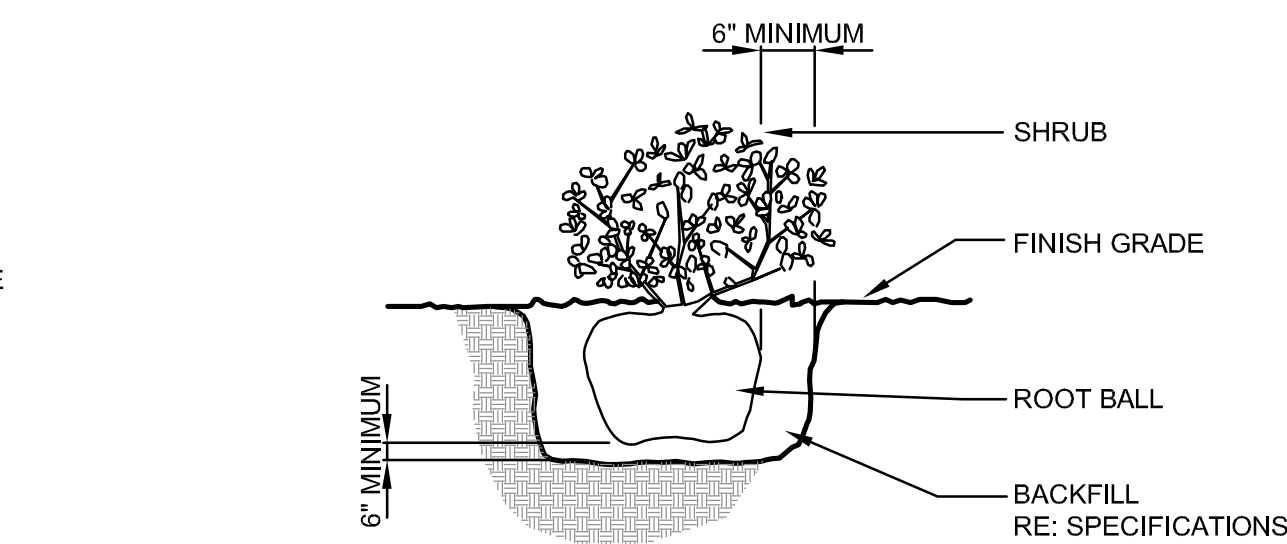
B TREE STAKING DETAIL
SCALE: N.T.S. SECTION/ELEVATION



A TREE GUYING DETAIL
SCALE: N.T.S. SECTION/ELEVATION



D STEEL EDGING
SCALE: N.T.S. SECTION/ELEVATION



C SHRUB PLANTING DETAIL
SCALE: N.T.S. SECTION/ELEVATION

PLANT LIST

KEY	QTY	COMMON NAME	BOTANICAL NAME	SIZE	REMARKS
LO	18	LIVE OAK	<i>Quercus virginiana</i>	100 gallon; minimum 4" caliper x 15' height x 6' spread	Container-grown; full head; matched. Cherry Lake Tree Farm or approved equal.
RO	18	SHUMARD RED OAK	<i>Quercus shumardii</i>	100 gallon; minimum 4" caliper x 15' height x 6' spread.	Container-grown; full head; matched. Cherry Lake Tree Farm or approved equal.
CM	2	'MUSKOGEE' CRAPE MYRTLE	<i>Lagerstroemia indica 'Muskogee'</i>	30 gallon; minimum 2" caliper x 7' height x 3' spread; single-trunk.	Container grown; full; multi-trunk.
NPH	60	NEEDLE POINT HOLLY	<i>Ilex cornuta 'Needlepoint'</i>	7 gallon; minimum 36" height and 30" spread	Full-to-ground; plant 36" o.c.
CH	60	CARISSA HOLLY	<i>Ilex cornuta 'Carissa'</i>	5 gallon.	Full; plant 24" o.c.
PWC	165	PURPLE WINTER CREEPER	<i>Euonymus 'Coloratus'</i>	1 gallon. Minimum 3 runners at 12" long	Full; plant 18" o.c.

LANDSCAPE GENERAL NOTES:

- QUANTITIES SHOWN ON PLANT LIST ARE LANDSCAPE ARCHITECT'S ESTIMATE ONLY AND SHOULD BE VERIFIED PRIOR TO BIDDING. CONTRACTOR SHALL BE RESPONSIBLE FOR BIDDING AND PROVIDING QUANTITY OF PLANT REQUIRED AT SPACING DESIGNATED FOR BED SIZES AND CONFIGURATIONS SHOWN ON PLANS REGARDLESS OF QUANTITIES DESIGNATED ON PLANT LIST.
- ALL SIZE REQUIREMENT AND CONTAINER SIZES FOR PLANT MATERIALS SHOWN ON THE PLANT LIST MUST BE MET AS MINIMUM. IF ANY SPECIFIC REQUIREMENT CANNOT BE MET (I.E., IF A 100 GALLON TREE CANNOT MEET THE SPECIFIED CALIPER REQUIREMENT), THE CONTRACTOR SHALL NOTIFY THE LANDSCAPE ARCHITECT PRIOR TO BIDDING. THE CONTAINER SIZE MUST BE MET REGARDLESS WHETHER THE SPECIFIED SIZES CAN BE REACHED WITH A SMALLER SIZE CONTAINER.
- ALL LANDSCAPING WILL BE WATERED BY AN AUTOMATIC UNDERGROUND WATERING SYSTEM.
- THE CONTRACTOR SHALL VERIFY WATER RESTRICTIONS WITHIN THE CITY OF MCKINNEY AT TIME OF PLANTING. SHOULD WATER RESTRICTIONS NOT ALLOW HYDRO-MULCH, HYDRO-SEEDING, OR SPRIGGING (STAGE 3 AND STAGE 4 WATER RESTRICTIONS), AN APPROVED ALTERNATIVE FOR GRASSING SHALL BE INSTALLED.

10.10.2018

© 2018 CONDUIT ARCHITECTURE + DESIGN, L.L.C. THE DRAWINGS AND ALL INFORMATION HEREIN IS THE EXCLUSIVE PROPERTY OF CONDUIT ARCHITECTURE + DESIGN AND IS NOT TO BE COPIED OR USED IN ANY WAY WITHOUT THE EXPRESS WRITTEN CONSENT OF CONDUIT ARCHITECTURE + DESIGN, L.L.C. ALL DRAWINGS, SPECIFICATIONS, DETAILS, DESCRIPTIONS, AND ARRANGEMENTS APPEARING HEREIN CONSTITUTE THE ORIGINAL AND UNPUBLISHED WORK OF CONDUIT ARCHITECTURE + DESIGN, L.L.C.

conduit
architecture + design, llc
402 Parker Street
McKinney, Texas
972.302.9747
conduitad.com

DCBA
LANDSCAPE ARCHITECTURE
dcbadesign.com
730 EAST PARK BOULEVARD • SUITE 100
PLANO, TX 75074 • TEL: 972.509.4266

McKinney Fire Station No. 10
1150 COUNTRY ROAD 228
MCKINNEY, TX 75071

REV. #	DESCRIPTION	DATE
1		
2		
3		
4		
5		

PROJECT NUMBER

DATE
10.10.18

SHEET TITLE
LANDSCAPE NOTES & DETAILS

SHEET NUMBER

L1.2