

LANDSCAPE ARCHITECT AND DEVELOPER ARE REQUIRED TO REVIEW AND APPROVE TREE AND SHRUB LOCATIONS PRIOR TO INSTALLATION.

GENERAL LAYOUT

1. WRITTEN DIMENSIONS AND GRADES PREVAIL OVER SCALED DIMENSIONS. NOTIFY LANDSCAPE ARCHITECT OF ANY DISCREPANCIES.
2. CONTRACTOR SHALL BE RESPONSIBLE FOR MAKING HIMSELF FAMILIAR WITH ALL UNDERGROUND UTILITIES, PIPES, STRUCTURES, AND LINE RUNS.
3. MESA DESIGN GROUP ASSUMES NO RESPONSIBILITY FOR ANY EXCAVATION OR GRADING NOT SHOWN ON SURVEYS OR CIVIL ENGINEER'S PLANS SUPPLIED TO MESA DESIGN GROUP. ALL PROPOSED AND FINISHED GRADES ARE BASED ON INFORMATION PROVIDED BY THE OWNER'S SURVEY AND/OR CIVIL ENGINEER. ANY DISCREPANCIES IN ACTUAL FIELD MEASUREMENTS ARE TO BE REPORTED TO THE LANDSCAPE ARCHITECT IMMEDIATELY.
4. ALL SHOWN PROPOSED CONTOURS ARE TO BE THE FINAL FINISHED GRADES AFTER PROPER COMPACTION. EXISTING GRADES ARE FOR REFERENCE ONLY.
5. ALL PEDESTRIAN SIDEWALKS TO BE GRADED WITH MAX. 4.9% SLOPE & 1.9% CROSS SLOPE. NOTIFY L.A. OF ANY FIELD COMPLICATIONS.
6. PRIOR TO COMMENCEMENT OF HARDSCAPE CONSTRUCTION, ALL SIDEWALKS ARE TO BE SURVEYED, LAID OUT, AND STAKED IN FIELD FOR APPROVAL BY LANDSCAPE ARCHITECT. CONTRACTOR SHALL ASSUME RESPONSIBILITY FOR ANY DEMOLITION, ADJUSTMENTS, OR RECONSTRUCTION RESULTING FROM UNAUTHORIZED CONSTRUCTION ACTIVITIES.
7. CONTRACTOR IS RESPONSIBLE FOR ALL FINAL QUANTITIES PER DRAWINGS AND SPECIFICATIONS. ANY QUANTITIES PROVIDED BY MESA DESIGN GROUP ARE PROVIDED FOR CONVENIENCE ONLY AND SHALL NOT BE CONSIDERED ABSOLUTE. LANDSCAPE ARCHITECT SHOULD BE NOTIFIED IF ANY DISCREPANCIES OCCUR. CONTRACTORS ARE TO BID THEIR OWN VERIFIED QUANTITIES.
8. CONTRACTOR NOT TO REMOVE EXISTING TREES WITHOUT PRIOR APPROVAL FROM CLIENT AND/OR LANDSCAPE ARCHITECT.

PLANTING NOTES

1. NO SUBSTITUTIONS SHALL BE ALLOWED WITHOUT APPROVAL.
2. BASE BID LANDSCAPING SHALL INCLUDE THE INSTALLATION OF LOCALLY AVAILABLE HARDY BUFFALO SOD AND SEED AS SHOWN AND ALSO ALL ADDITIONAL DISTURBED AREAS.
3. WHEN CLAY SOIL IS ENCOUNTERED IN THE ESTABLISHMENT OF THE LAWN OR THE INSTALLATION OF PLANT MATERIAL, SOIL SHALL BE IMPROVED IN ACCORDANCE WITH STANDARD TRADE PRACTICE. I.E. ADDITION OF LIME, GYPSUM, ETC.
4. GRADE NEXT TO SIDEWALKS SHALL BE A MINIMUM OF 2" BELOW THE TOP OF WALK PRIOR TO TURF INSTALLATION.
5. PAVING CONTRACTOR SHALL INSTALL IRRIGATION SLEEVES (FOR FUTURE USE) UNDER ALL PAVED AREAS. INSTALLATION OF SLEEVES IS THE RESPONSIBILITY OF THE PAVING CONTRACTOR.
6. ALL DISTURBED GRASS AREAS AS A RESULT OF CONSTRUCTION SHALL BE REPAIRED WITH SOD TO RETURN TO PRIOR CONDITIONS.
7. THE CONTRACTOR SHALL VERIFY WATER RESTRICTIONS WITHIN THE CITY OF MCKINNEY AT TIME OF PLANTING. SHOULD WATER RESTRICTIONS NOT ALLOW HYDROMULCH, HYDROSEEDING, OR SPRIGGING (STAGE 3 AND STAGE 4 WATER RESTRICTIONS), AN APPROVED ALTERNATIVE FOR GRASSING SHALL BE INSTALLED.
8. ALL REQUIRED LANDSCAPE AREAS SHALL BE PROVIDED WITH AN AUTOMATIC UNDERGROUND IRRIGATION SYSTEM WITH RAIN AND FREEZE SENSORS AND EVAPOTRANSPIRATION (ET) WEATHER BASED CONTROLLERS AND SAID IRRIGATION SYSTEM SHALL BE DESIGNED BY A QUALIFIED PROFESSIONAL AND INSTALLED BY A LICENSED IRRIGATOR.

LEGEND

| | |
|--|-------------------|
| | SEED AREA |
| | SOD AREA |
| | GROUND COVER AREA |
| | NATIVE AREA |

SEE PLANT SCHEDULE ON SHEET L-5.03

RECEIVED
By PLANNING at 3:11 pm, Apr 13, 2015

Landscape Plan - Base Bid

A

Scale: 1" = 50'-0"

Architect of Record: Brinkley Sargent Wightton Architects (972) 960-9970
 Site / Aquatics / Interior Design: Brinkley Sargent Wightton Architects (614) 461-4644
 Design Architect: Recreation Moody Nolan, Inc. (214) 871-0568
 Landscape: MESA (214) 871-2010
 Structural: L.A. Fuses Partners, Inc. (214) 741-1589
 MEP: M.E. Engineers (972) 562-4409
 Civil: Cross Engineering Consultants (314) 894-0109
 Aquatics: Councilman-Hunaker



1807 Ross Ave.
 Suite 333
 Dallas, Texas 75201
 214.871.0568 tel
 214.871.1507 fax
 mesadesigngroup.com

This drawing and the design shown is the property of MESA Design Associates, Inc. and shall not be reproduced, copied, or used in any way without the written consent of MESA. It is prohibited and any infringement will be subject to legal action. © copyright 2015 MESA.

MCKINNEY AQUATIC & FITNESS CENTER

3003 Alma Road, McKinney, Texas 75070

REVISIONS

| # | Date | Description |
|---|------|-------------|
| | | |

PROGRESS PRINT
 PROGRESS SET FOR REVIEW ONLY. THESE DOCUMENTS ARE FOR DESIGN REVIEW AND NOT INTENDED FOR CONSTRUCTION OR BIDDING PURPOSES. THEY WERE PREPARED BY OR UNDER THE SUPERVISION OF A LICENSED LANDSCAPE ARCHITECT STATE OF TEXAS LIC. 95116

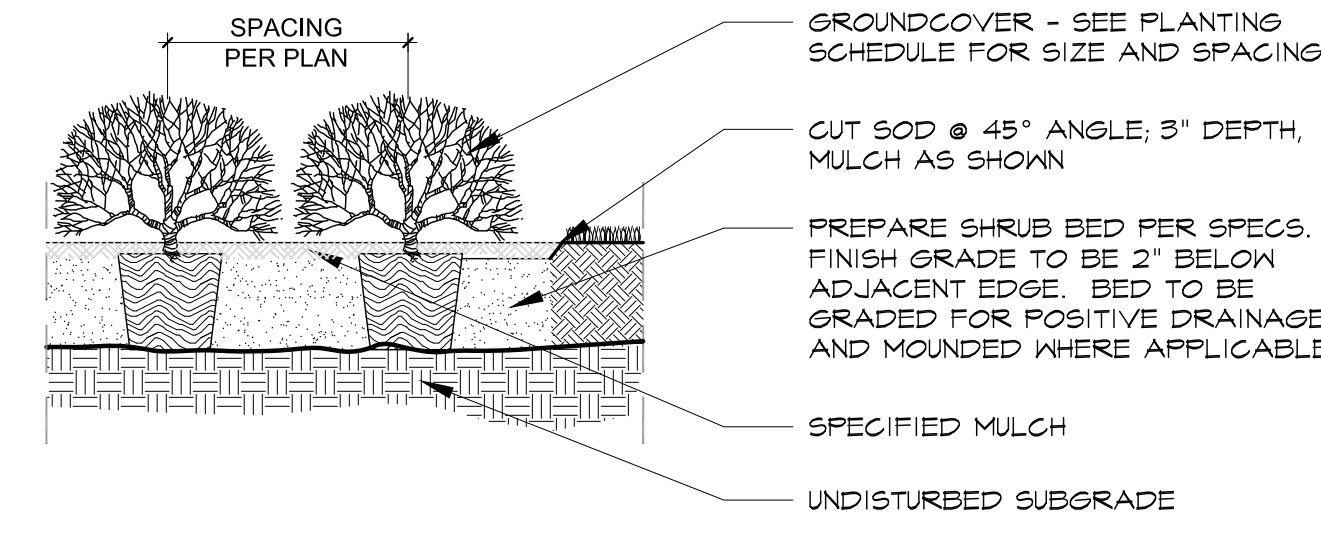
LANDSCAPE PLAN - BASE BID

21406
04/10/2015 L-5.01

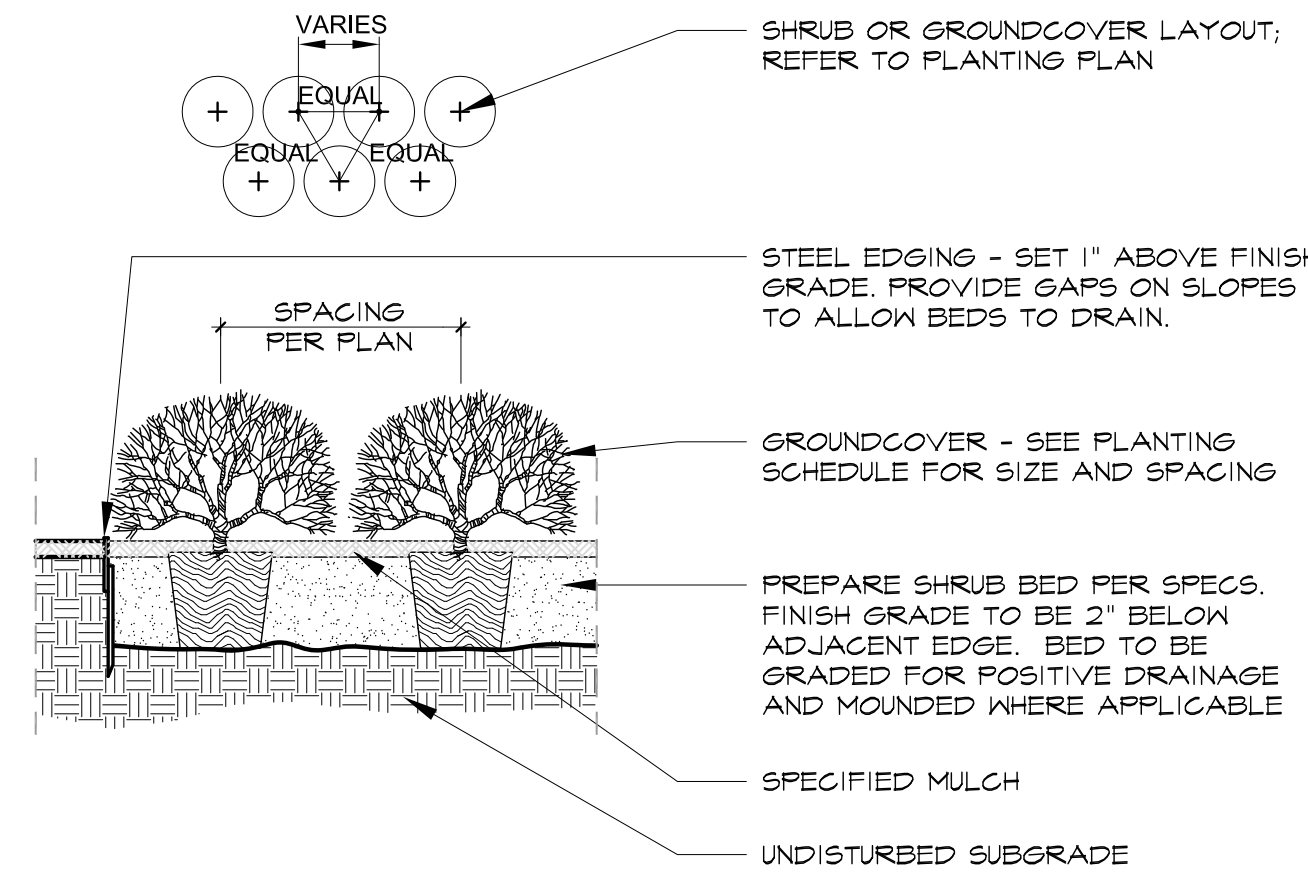
BRINKLEY SARGENT WIGHTTON ARCHITECTS
70% CONSTRUCTION DOCUMENTS

TREE PLANTING NOTES:

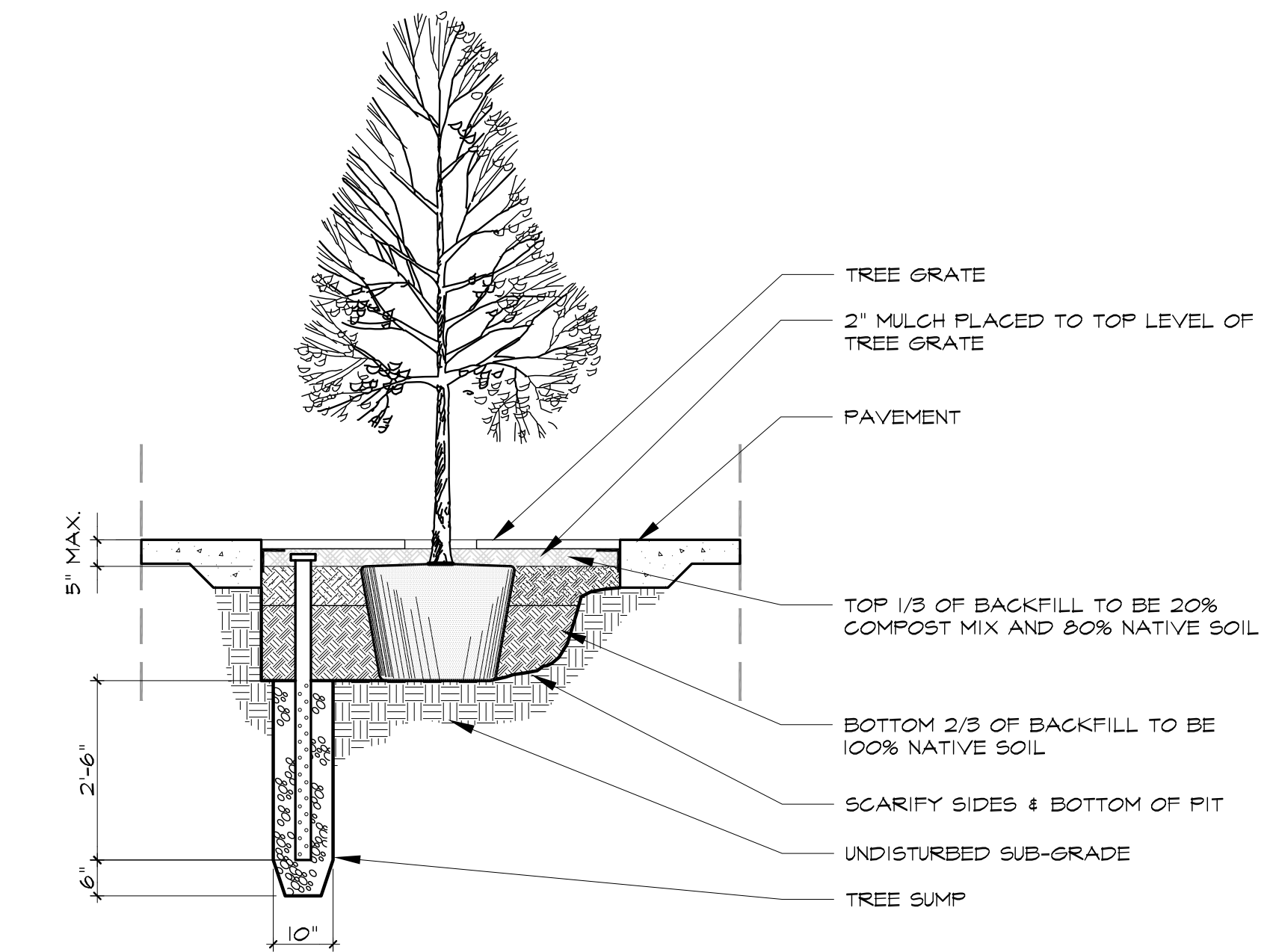
1. PERFORM PERCOLATION TEST FOR EACH TREE PIT. PROVIDE GRAVEL SUMP, FILTER FABRIC AND STAND PIPE IF DRAINAGE DOES NOT OCCUR WITH 24 HOURS.
2. B&B TREES REMOVE BURLAP MATERIAL, BINDING AND TOP OF WIRE BASKET FROM TOP OF ROOT BALL.
3. DO NOT PLANT ANY TREES CLOSER THAN 5'-0" FROM EDGE OF PARKING LOT CURB OR SIDEWALK. MEASUREMENT TO BE FROM CENTER OF TREE TO EDGE OF PAVEMENT.



Mulch Edge Detail J
Scale: 1/2" = 1'-0"

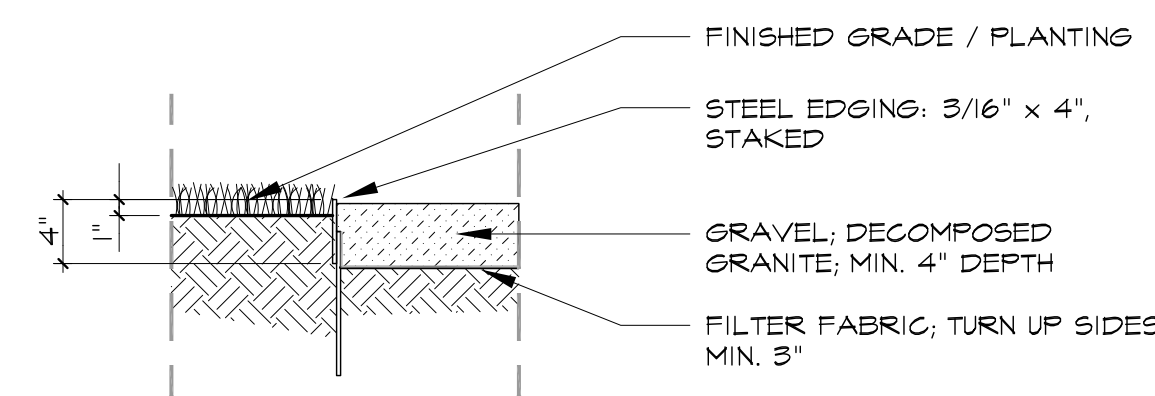


Shrub Ground Cover Detail G
Scale: 1/2" = 1'-0"

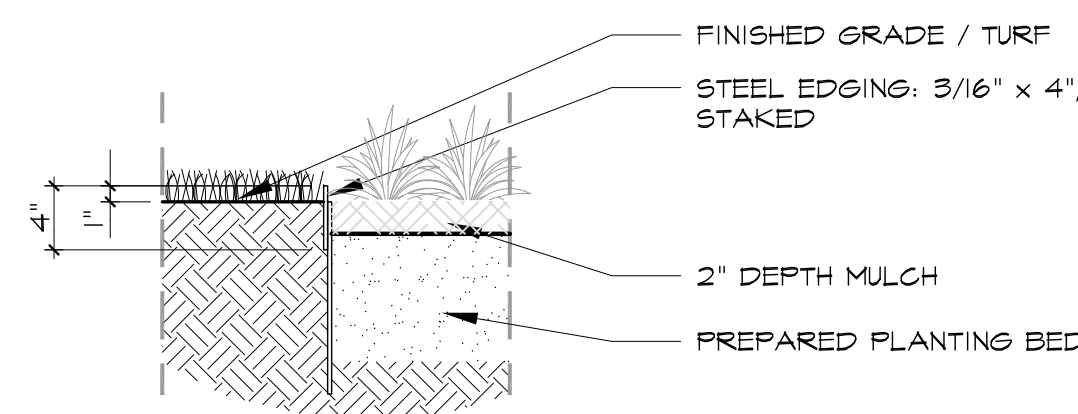


Tree Well Plant Detail C
Scale: 1/2" = 1'-0"

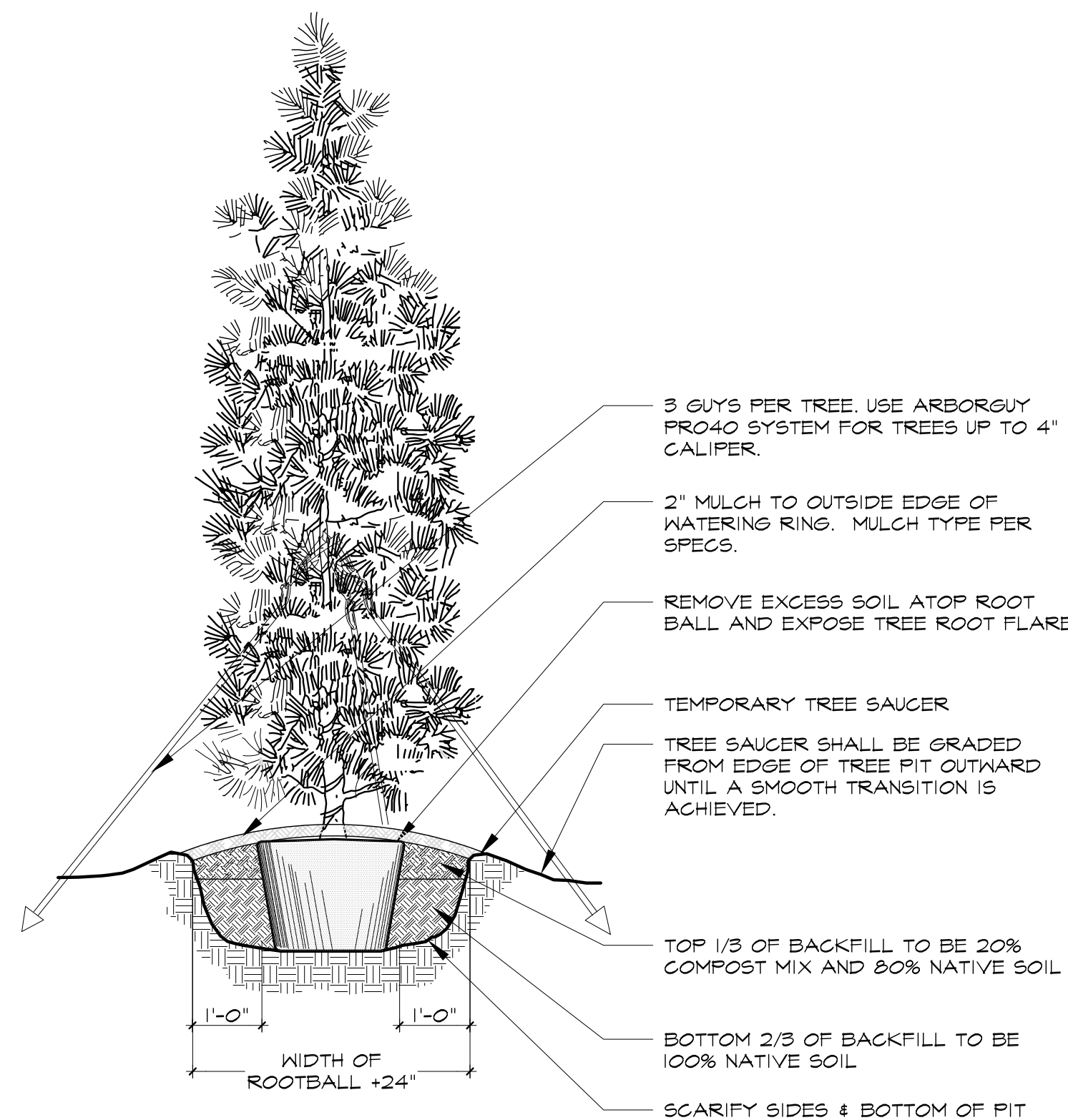
| TREE INSTALLATION: | ANCHOR RING SIZES: |
|--|---|
| 1. DIG HOLE 15 TIMES LARGER THAN THE DIAMETER OF THE ROOT BALL AND NO DEEPER THAN 24" | 30 BGS (30 GAL, 2 1/2" - 2 1/2" CALIPER) ROOT BALL UP TO 22" DIA. 3 - 36" NAIL STAKES |
| 2. PLACE TREE IN HOLE. | 45 BGS (45 GAL, 2 1/2" - 3" CALIPER) ROOT BALL TO 27" DIAMETER 3 - 36" NAIL STAKES |
| 3. PLACE ROOTBALL ANCHOR RING ON BASE OF ROOTBALL. TRUNK SHOULD BE IN THE CENTER OF THE RING. INSTALL NAIL STAKE WITH HAMMER OR Mallet FIRMLY INTO UNDISTURBED GROUND. | 65 BGS (65 GAL, 3" - 4" CALIPER) ROOT BALL TO 30" DIAMETER 3 - 36" NAIL STAKES |
| 4. DRIVE NAIL STAKES FLUSH WITH 1" BRACKET ADJACENT TO ROOTBALL (DO NOT DISTURB ROOTBALL). | 100 BGS (100 GAL, 4" - 4 1/2" CALIPER) ROOT BALL TO 36" DIAMETER 3 - 36" NAIL STAKES |
| 5. BACKFILL HOLE AND MULCH. | |



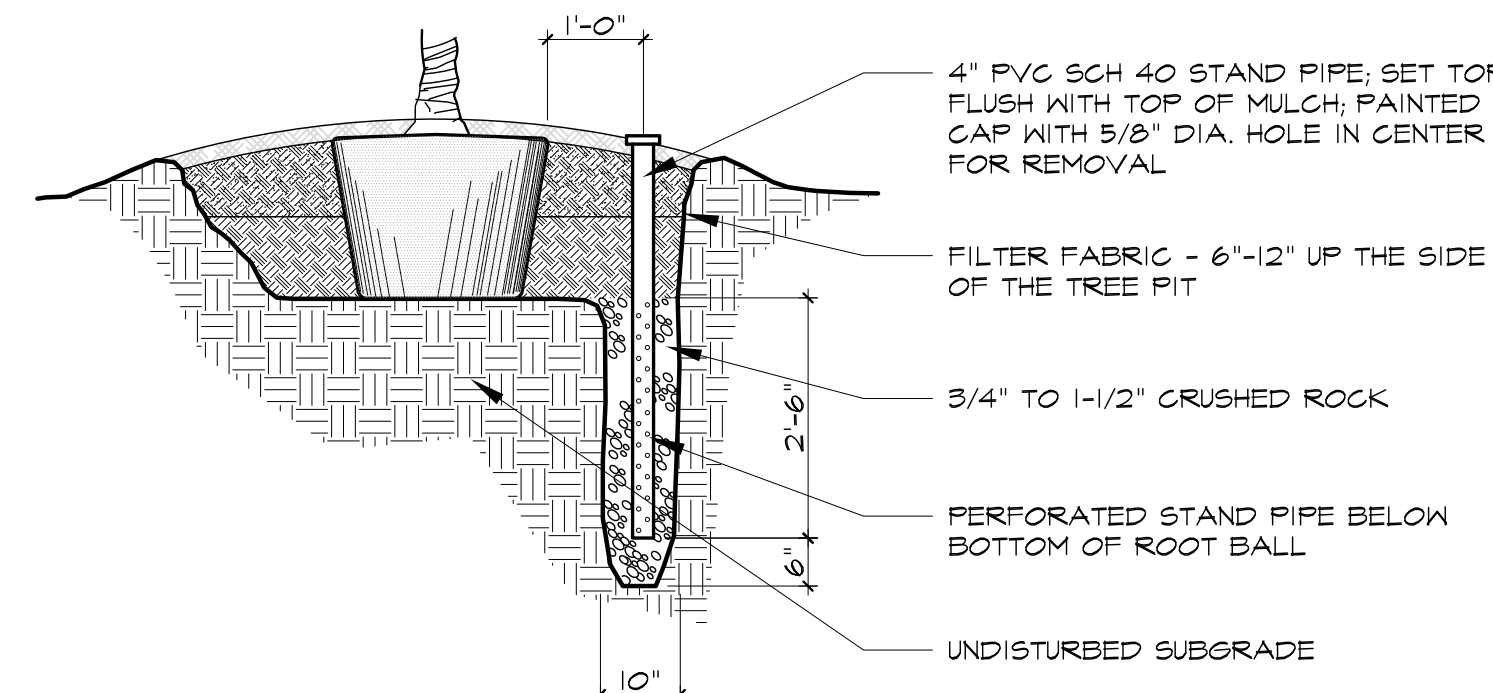
Steel Edge/DG Gravel Detail L
Scale: 1" = 1'-0"



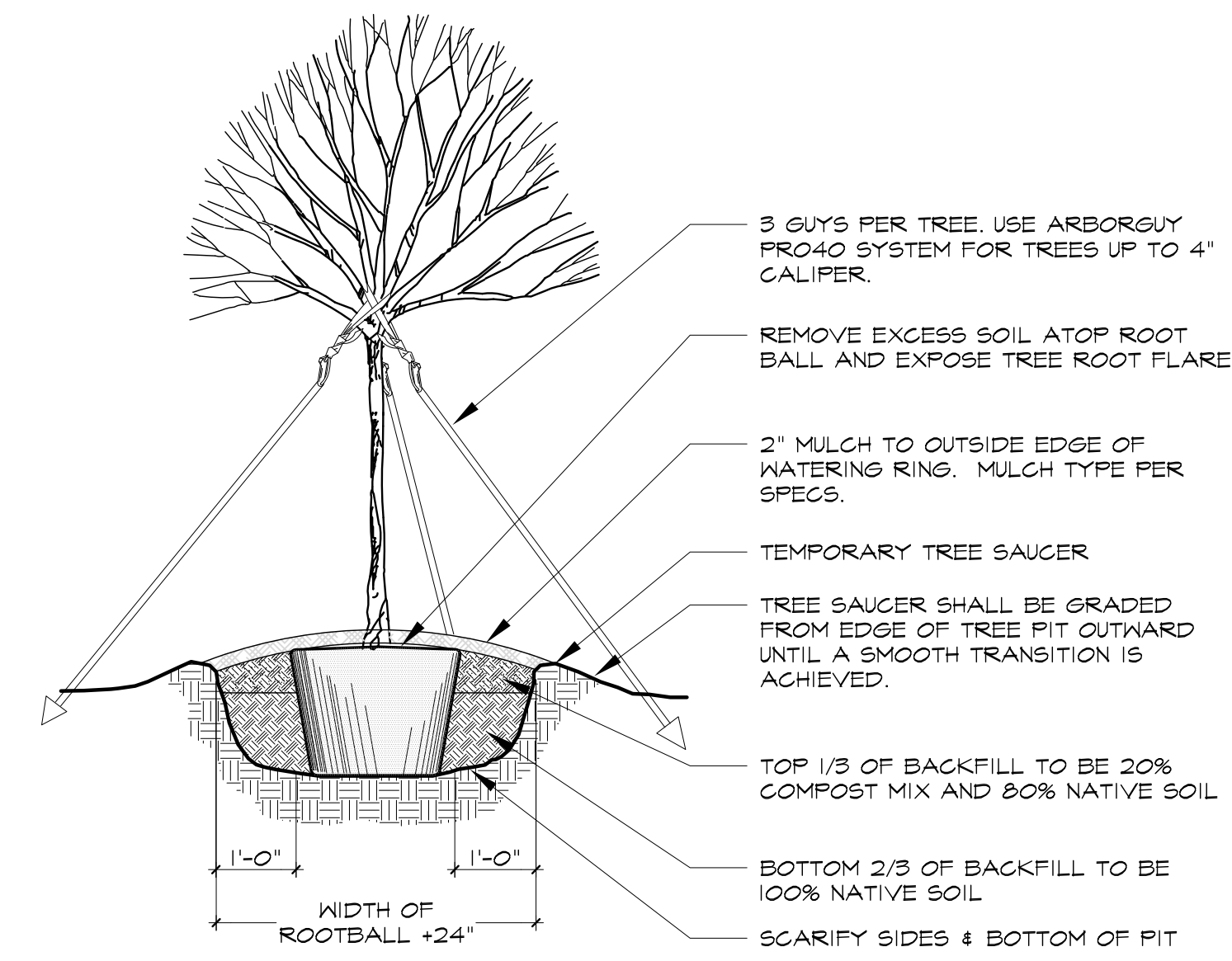
Steel Edge/Planting Detail K
Scale: 1" = 1'-0"



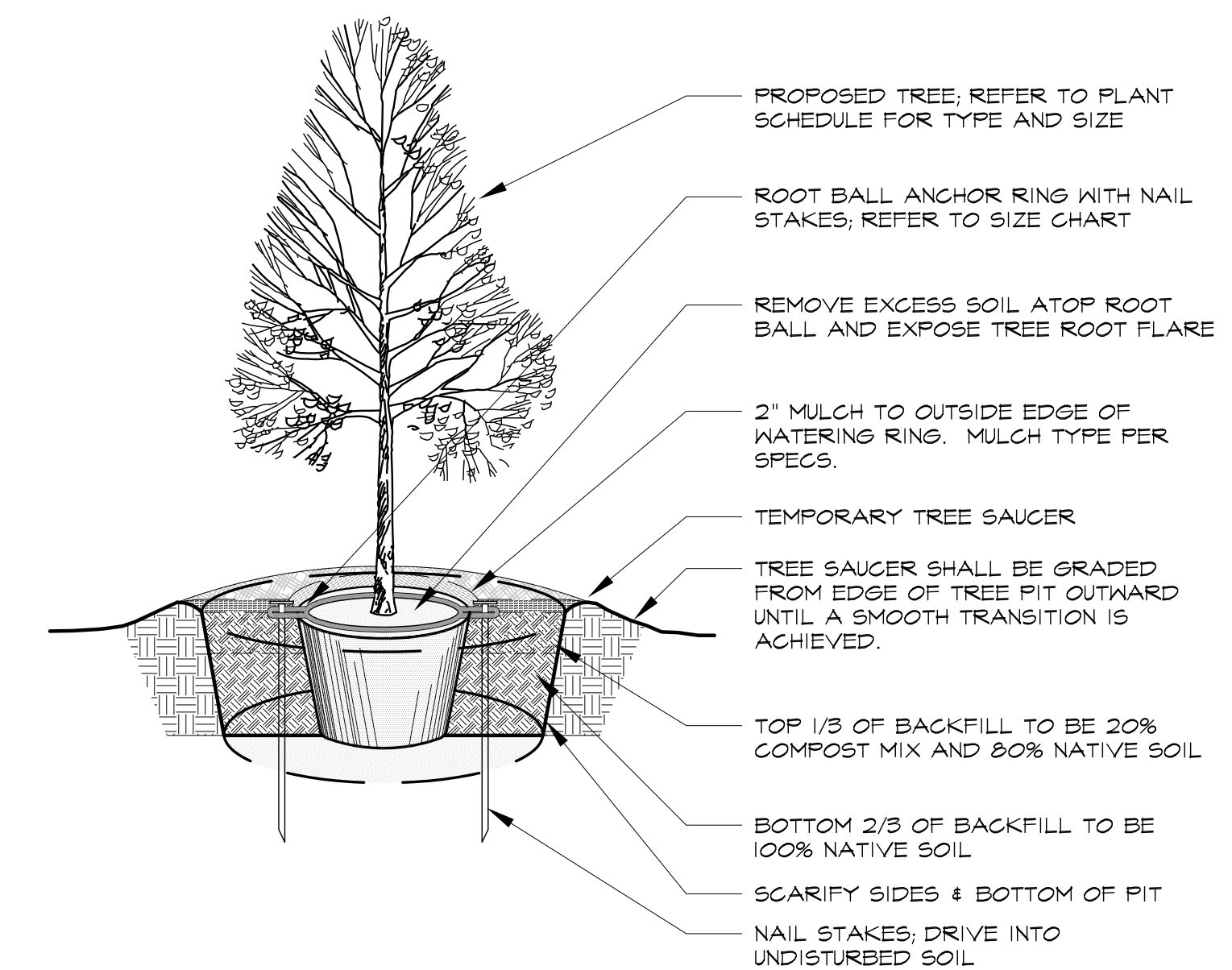
Evergreen Tree Detail I
Scale: 1/2" = 1'-0"



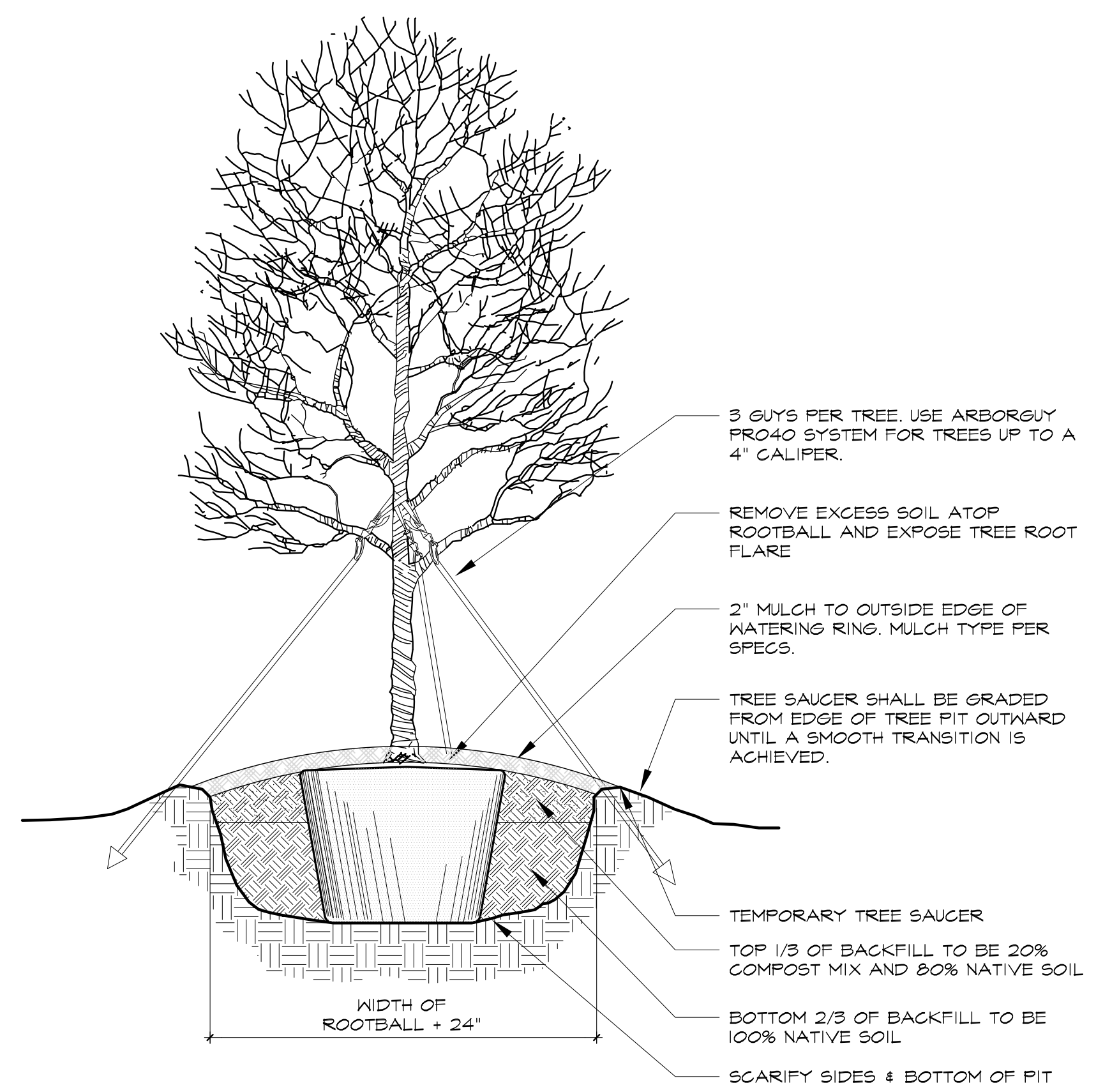
Tree Pit Sump Detail F
Scale: 1/2" = 1'-0"



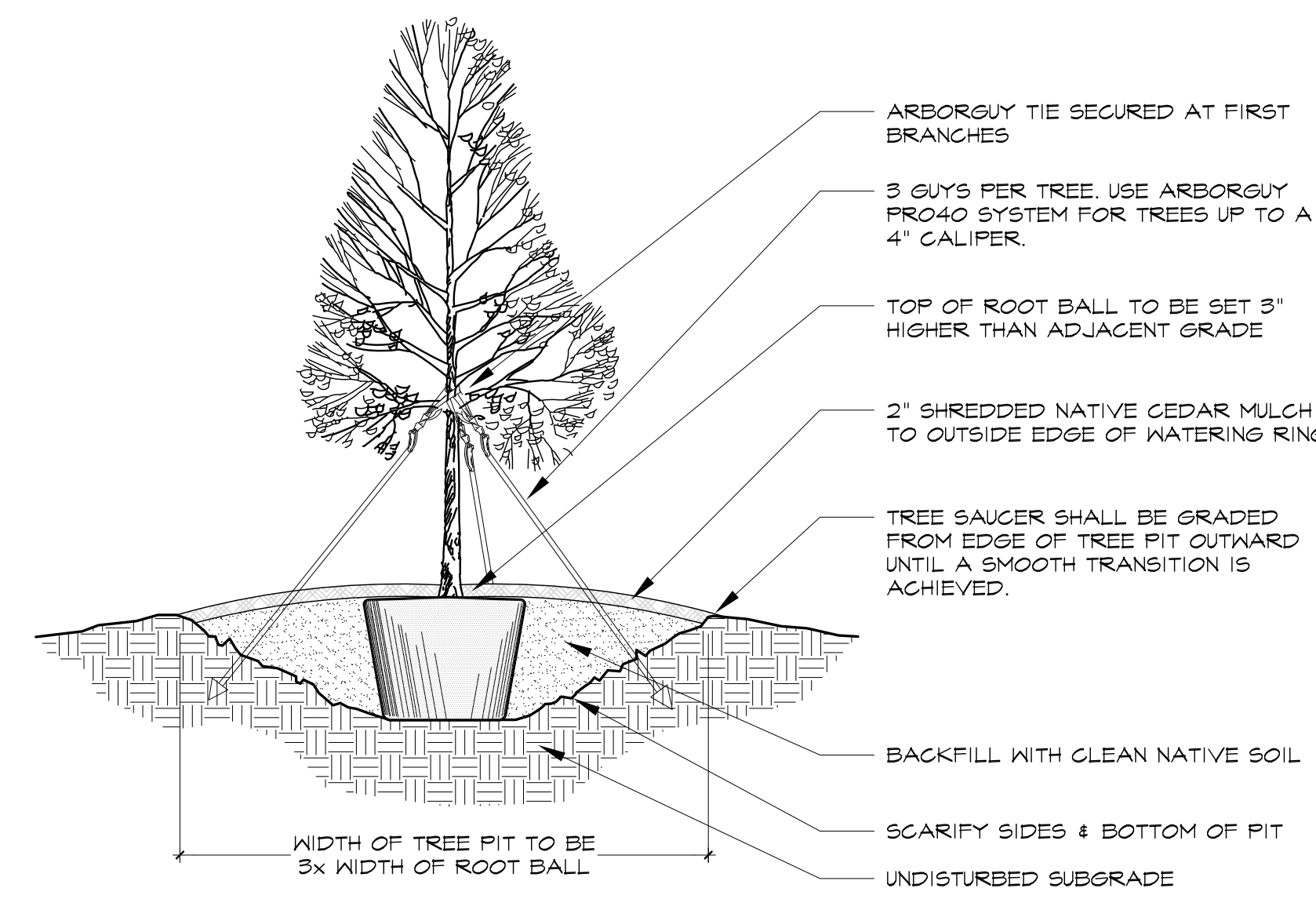
Ornamental Tree Detail E
Scale: 1/2" = 1'-0"



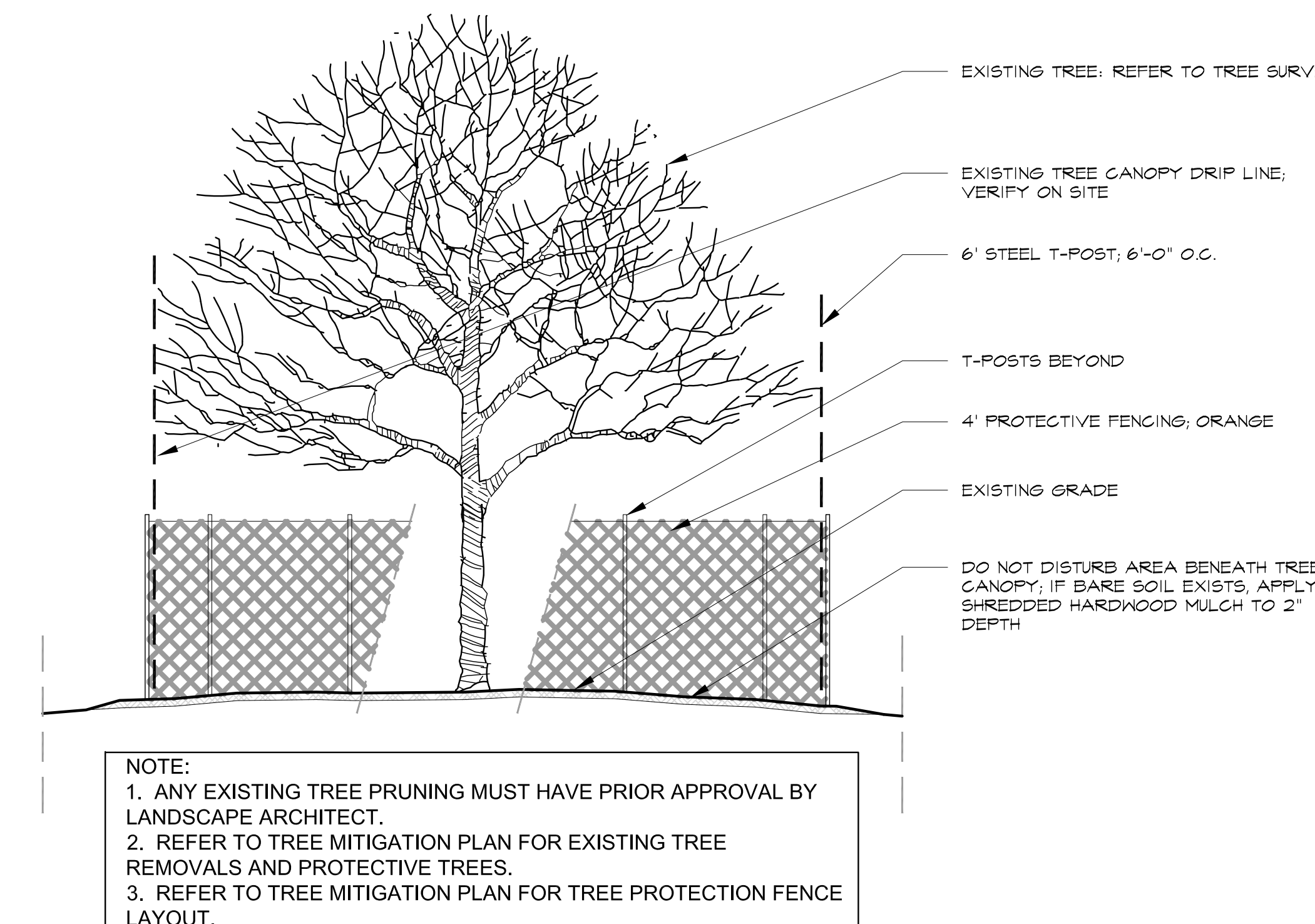
Tree Stake Solutions Detail B
Scale: 1/2" = 1'-0"



Canopy Tree Detail H
Scale: 1/2" = 1'-0"



Organic Planting Detail D
Scale: 1/2" = 1'-0"



NOTE:

1. ANY EXISTING TREE PRUNING MUST HAVE PRIOR APPROVAL BY LANDSCAPE ARCHITECT.
2. REFER TO TREE MITIGATION PLAN FOR EXISTING TREE REMOVALS AND PROTECTIVE TREES.
3. REFER TO TREE MITIGATION PLAN FOR TREE PROTECTION FENCE LAYOUT.

Tree Protection Fencing Detail A
Scale: 3/8" = 1'-0"

Architect of Record: Brinkley Sargent Wightton Architects
Site / Analytics / Interior Design: Brinkley Sargent Wightton Architects
Design Architect: Recreation
Landscape: MESA
Structure: L.A. Trees Partners, Inc.
MEP: L.A. Trees Partners, Inc.
Civil: M.E. Engineers
Construction: Cross Engineering Consultants
Councilman-Tracker: Brinkley Sargent Wightton Architects

MCKINNEY AQUATIC & FITNESS CENTER

3003 Alma Road, McKinney, Texas 75070

REVISIONS

| # | Date | Description |
|---|------|-------------|
| | | |

PROGRESS PRINT
THIS DOCUMENT IS INCOMPLETE AND MAY NOT BE USED FOR REGULATORY APPROVAL. PERMIT OR CONSTRUCTION RELEASED UNDER AUTHORITY OF: STRENGTH SPRINGS, IA

PLANTING DETAILS

| PLANT MATERIAL SCHEDULE | | | | | | | | |
|-------------------------|----------------|--------------|-----------------------------------|-------------------|-------------|-------------|--------------|---|
| REQUIRED QUANTITY | PLANT QUANTITY | PLANT SYMBOL | COMMON NAME BOTANICAL NAME | SIZE MIN. | HEIGHT MIN. | SPREAD MIN. | SPACING MIN. | COMMENTS |
| | | | CANOPY TREES | | | | | |
| 126 | 126 | | CANOPY TREE | 4" CAL. | 12' | 4'-5' | AS SHOWN | NURSERY GROWN, MATCHED, WELL BRANCHED, STRONG CENTRAL LEADER |
| | | | HARDSCAPE MATERIALS | | | | | |
| | 100 LF | | STEEL EDGING | 10" / 16" LENGTHS | - | - | - | 1/8" STEEL EDGING, COLOR BLACK ENAMEL |
| | | | SHRUBS | | | | | |
| | 16 | | EVERGREEN SHRUB | 10 GAL. | 3' | 18"-24" | 36" | CONTAINER GROWN; FULL AND WELL ROOTED; PLANT AS SHOWN |
| | | | GROUND COVERS & PERENNIALS | | | | | |
| | 9,430 SF | | GROUND COVER | 1 GAL. | 12" | 18" | 2' | CONTAINER GROWN; FULL AND WELL ROOTED; PLANT AS SHOWN |
| | | | TURF GRASS | | | | | |
| | 113,468 SF | | BERMUDA GRASS/ TURF (IRRIGATED) | SOD | N/A | N/A | N/A | REFER TO LANDSCAPE NOTES AND WRITTEN SPECIFICATIONS |
| | 110,459 SF | | HYDROMULCH | N/A | N/A | N/A | 10LBS/AC | ITEM # 2862 FROM NATIVE AMERICAN GRASS SEED, IN JUNCTION, TEXAS. (1-800-728-4043), PLANT RATE MIN. 10 LBS PER ACRE. |
| | 191,135 SF | | NATURAL LANDSCAPE (NON-IRRIGATED) | N/A | N/A | N/A | N/A | REFER TO LANDSCAPE NOTES AND WRITTEN SPECIFICATIONS |

| PLANT MATERIAL SCHEDULE | | | | | | | | |
|-------------------------|--------------|--|------------------------------------|-------------|-------------|--------------|--|--|
| PLANT QUANTITY | PLANT SYMBOL | COMMON NAME BOTANICAL NAME | SIZE MIN. | HEIGHT MIN. | SPREAD MIN. | SPACING MIN. | COMMENTS | |
| | | | SHRUBS, ORNAMENTAL GRASSES & VINES | | | | | |
| | | BURFORD HOLLY Ilex cornuta 'Burford' | 5 GAL. | | | 5' | CONTAINER GROWN; FULL AND WELL ROOTED; PLANT AS SHOWN | |
| | | FOSTER HOLLY Ilex x attenuata 'Foster' | 5 GAL. | | | 5' | CONTAINER GROWN; FULL AND WELL ROOTED; PLANT AS SHOWN | |
| | | GLOSSY ABELIA Abelia x grandiflora | 1 GAL. | 12"-14" | 6"-8" | 5' | CONTAINER GROWN; FULL AND WELL ROOTED; PLANT AS SHOWN | |
| | | LITTLE GEM MAGNOLIA Magnolia grandiflora 'Little Gem' | 5 GAL. | 8' | 4' | 5' | CONTAINER GROWN; FULL AND WELL ROOTED; PLANT AS SHOWN | |
| | | DWARF WAX MYRTLE Myrica pauciflora | 5 GAL. | 30" | 18" | 4' | CONTAINER GROWN; FULL AND WELL ROOTED; PLANT AS SHOWN | |
| | | LINDHEIMER MULHLY Muhlenbergia lindheimeria | 5 GAL. | 30" | 18" | 4' | CONTAINER GROWN; FULL AND WELL ROOTED; PLANT AS SHOWN | |
| | | ZEBRA GRASS Trachypogon distachyoides | 5 GAL. | 12"-14" | 6"-8" | 4' | CONTAINER GROWN; FULL AND WELL ROOTED; PLANT AS SHOWN | |
| | | CARISSA HOLLY Ilex cornuta 'Carissa' | 3 GAL. | 15" | 15" | 3' | CONTAINER GROWN; FULL AND WELL ROOTED; PLANT AS SHOWN | |
| | | COMPACT NANDINA Nandina domestica 'compacta' | 3 GAL. | 15" | 15" | 3' | CONTAINER GROWN; FULL AND WELL ROOTED; PLANT AS SHOWN | |
| | | DWARF BURFORD HOLLY Ilex cornuta 'Burfordii nana' | 5 GAL. | 24" | 12" | 3' | CONTAINER GROWN; FULL AND WELL ROOTED; PLANT AS SHOWN | |
| | | DWARF YAUPOIN HOLLY Ilex vomitoria 'nana' | 5 GAL. | 12" | 12" | 3' | CONTAINER GROWN; FULL AND WELL ROOTED; PLANT AS SHOWN | |
| | | GULF STREAM NANDINA Nandina domestica 'Gulf Stream' | 3 GAL. | 15" | 12" | 3' | CONTAINER GROWN; FULL AND WELL ROOTED; PLANT AS SHOWN | |
| | | INDIAN HAWTHORN Raphiolepis indica | 5 GAL. | 15" | 15" | 3' | CONTAINER GROWN; FULL AND WELL ROOTED; PLANT AS SHOWN | |
| | | KNOCK OUT ROSE Rosa 'Radrazz' PP#11836 | 5 GAL. | 12"-14" | 6"-8" | 3' | CONTAINER GROWN; FULL AND WELL ROOTED; PLANT AS SHOWN | |
| | | PURPLE SAGE Leucophyllum frutescens | 3 GAL. | 15" | 12" | 3' | CONTAINER GROWN; FULL AND WELL ROOTED; PLANT AS SHOWN; 'SILVERADO' OR APPROVED EQUAL | |
| | | RED YUCCA Heisteria paniculata | 5 GAL. | 12" | 12" | 3' | CONTAINER GROWN; FULL AND WELL ROOTED; PLANT AS SHOWN | |
| | | SOFT LEAF YUCCA Yucca recurvifolia | 3 GAL. | 15" | 15" | 3' | CONTAINER GROWN; FULL AND WELL ROOTED; PLANT AS SHOWN | |
| | | WINTER GREEN BOXWOOD Buxus microphylla | 3 GAL. | 12"-14" | 6"-8" | 3' | CONTAINER GROWN; FULL AND WELL ROOTED; PLANT AS SHOWN | |
| | | WHEELERS DWARF PITTOSPORUM Pittosporum tobira 'Wheeler's dwarf' | 1 GAL. | 12"-14" | 6"-8" | 2' | CONTAINER GROWN; FULL AND WELL ROOTED; PLANT AS SHOWN | |
| | | HARBOR DWARF NANDINA Nandina domestica 'Harbor dwarf' | 1 GAL. | 12" | 18" | 2' | CONTAINER GROWN; FULL AND WELL ROOTED; PLANT AS SHOWN | |
| | | BERKELEY SEDGE Carex divisa | 1 GAL. | 6"-8" | 8"-12" | 2' | CONTAINER GROWN; FULL AND WELL ROOTED; PLANT AS SHOWN | |
| | | 'ADAGIO' MAIDEN GRASS Miscanthus sinensis 'Adagio' | 3 GAL. | 22"-24" | 22"-24" | 42" | CONTAINER GROWN; FULL AND WELL ROOTED; PLANT AS SHOWN | |
| | | GULF MULHLY Muhlenbergia capillaris | 3 GAL. | 22"-24" | 22"-24" | 42" | CONTAINER GROWN; FULL AND WELL ROOTED; PLANT AS SHOWN | |
| | | HEAVENLY BAMBOO NANDINA Nandina domestica 'Moon Bay' | 3 GAL. | 16"-18" | 12"-14" | 2' | CONTAINER GROWN; FULL AND WELL ROOTED; PLANT AS SHOWN | |
| | | FOUNTAIN GRASS Pennisetum alopecuroides | 3 GAL. | 18"-20" | 18"-20" | 36" | CONTAINER GROWN; FULL AND WELL ROOTED; PLANT AS SHOWN | |
| | | INDIAN HAWTHORN 'BAY BREEZE' Raphiolepis umbellata 'Bay Breeze' | 3 GAL. | 18"-20" | 18"-20" | 36" | CONTAINER GROWN; FULL AND WELL ROOTED; PLANT AS SHOWN | |
| | | | GROUND COVERS & PERENNIALS | | | | | |
| | | AUTUMN SAGE Salvia greggii | 1 GAL. | 12" | 18" | 2' | CONTAINER GROWN; FULL AND WELL ROOTED; PLANT AS SHOWN | |
| | | BLUE SAGE Salvia azurea | 3 GAL. | 12" | 2' | 2' | CONTAINER GROWN; FULL AND WELL ROOTED; PLANT AS SHOWN | |
| | | DAYLILY Hemerocallis | 1 GAL. | 12"-14" | 6"-8" | 2' | | |
| | | PURPLE CONE FLOWER Echinacea purpurea | 1 GAL. | 12"-14" | 6"-8" | 2' | | |
| | | GIANT LIRIOPE Liriope gigantea | 1 GAL. | 12"-14" | 6"-8" | 18" | | |
| | | ASIAN JASMINE Trachelospermum asiaticum | 1 GAL. | 12"-14" | 6"-8" | 1' | CONTAINER GROWN; FULL AND WELL ROOTED; PLANT AS SHOWN | |
| | | BLACK EYED SUSAN Rudbeckia hirta | 1 GAL. | 12"-14" | 6"-8" | 1' | | |
| | | BLUE HILL SALVIA Salvia nemorosa | 1 GAL. | 12"-14" | 6"-8" | 1' | | |
| | | MONDO GRASS Ophiopogon japonicus | 1 GAL. | 12"-14" | 6"-8" | 1' | FULL; MINIMUM 4 RUNNERS | |
| | | PURPLE HEART Tradescantia pallida | 1 GAL. | 12"-14" | 6"-8" | 1' | | |
| | | VARIEGATED LIRIOPE Liriope muscari 'variegata' | 1 GAL. | 12"-14" | 6"-8" | 1' | | |
| | | WEEPING LOVEGRASS Eragrostis curvula | 1 GAL. | 12"-14" | 6"-8" | 1' | | |
| | | SIDEONTS GRAMA Sporobolus curtipendula | 1 GAL. | 12"-14" | 6"-8" | N/A | CONTAINER GROWN; FULL AND WELL ROOTED; PLANT AS SHOWN | |
| | | EUONYMUS 'PURPLE WINTERCREEPER' Euonymus coloratus 'Purple Wintercreeper' | 1 GAL. | 6"-8" | 8"-12" | 1' | FULL; MINIMUM 4 RUNNERS | |
| | | | TURF GRASS | | | | | |
| | | | SOD | N/A | N/A | N/A | REFER TO LANDSCAPE NOTES AND WRITTEN SPECIFICATIONS | |
| | | | N/A | N/A | N/A | N/A | | |

LANDSCAPE NOTES:

PREPARATION
LANDSCAPE CONTRACTOR AND REPRESENTATIVE OF OWNER SHALL BE RESPONSIBLE FOR VERIFYING THE CORRECT LOCATION OF ALL UNDERGROUND UTILITIES, PIPES, STRUCTURES AND LINE RUNS IN THE FIELD PRIOR TO THE INSTALLATION OF ANY PLANT MATERIAL.

COORDINATION
LANDSCAPE CONTRACTOR SHALL BE RESPONSIBLE FOR ANY COORDINATION WITH OTHER CONTRACTORS ON SITE AS REQUIRED TO ACCOMPLISH ALL PLANTING OPERATIONS.

VERIFICATION
LANDSCAPE CONTRACTOR IS RESPONSIBLE FOR ALL QUANTITIES PER DRAWINGS AND SPECIFICATIONS AS PROVIDED BY LANDSCAPE ARCHITECT. MATERIAL QUANTITIES HAVE BEEN PROVIDED AS A CONVENIENCE ONLY AND SHALL NOT BE CONSIDERED ABSOLUTE. LANDSCAPE ARCHITECT TO BE NOTIFIED IF DISCREPANCIES OCCUR. LANDSCAPE CONTRACTOR IS TO PROVIDE ALL MATERIALS NECESSARY TO COMPLETE THE DESIGN INTENT OF THE DRAWINGS - CONTRACTOR IS TO BID THE PROJECT PER THEIR OWN VERIFIED QUANTITIES.

GRADING AND DRAINAGE
LANDSCAPE ARCHITECT ASSUMES NO RESPONSIBILITY FOR FAILURE OF ANY HARDSCAPE ELEMENT SUCH AS WALKS, ENTRANCES TO STRUCTURES AND PLANTING BEDS FORMED OR ENCLOSED BY EDGING AND FLATWORK, WHICH DO NOT DRAIN DUE TO IMPROPER SET UP OF ELEVATIONS DURING CONSTRUCTION. LANDSCAPE CONTRACTOR IS RESPONSIBLE FOR FINE GRADING AND VERIFYING THAT THE SITE HAS POSITIVE DRAINAGE PRIOR TO AND AFTER PLANTING.

STANDARDS
ALL PLANT MATERIAL SHALL CONFORM TO THE SIZES GIVEN IN THE PLANT LIST AND SHALL BE NURSERY GROWN IN ACCORDANCE WITH THE "USA STANDARD FOR NURSERY STOCK" LATEST EDITION. ALL PLANTING SHALL BE IN ACCORDANCE WITH THE STANDARD AMERICAN ASSOCIATION OF NURSERYMEN PROCEDURES AND SPECIFICATIONS. ANY PLANT SUBSTITUTION SHALL BE APPROVED BY LANDSCAPE ARCHITECT.

IRRIGATION
CONTRACTOR TO INSTALL NEW IRRIGATION SYSTEM PER IRRIGATION SYSTEM DESIGN TO PROVIDE 100% COVERAGE OF ALL LANDSCAPE AREAS IN ACCORDANCE WITH CITY AND STATE STANDARDS. IRRIGATION CONTRACTOR SHALL VISIT SITE TO DETERMINE REQUIREMENTS PRIOR TO SUBMITTING BID. ALL IRRIGATION SYSTEMS ARE TO BE EQUIPPED WITH RAIN AND FREEZE SENSORS.

PLANT LOCATIONS
REFER TO PLANTING PLANS FOR PLANT LOCATIONS AND PLANT MATERIAL SCHEDULE FOR PLANT SPECIFICATIONS. TREE LOCATIONS AND PLANTING BEDS SHALL BE STAKED IN THE FIELD AND APPROVED BY LANDSCAPE ARCHITECT PRIOR TO PLANTING AND/OR PREPARATION. TREES SHALL BE PLANTED A MINIMUM OF 5'-FT. CLEAR FROM UNDERGROUND UTILITIES.

WARRANTY
ALL PLANT MATERIAL TO BE GUARANTEED FOR A PERIOD OF ONE YEAR FROM SUBSTANTIAL COMPLETION AND ACCEPTANCE BY THE OWNER.

PLANTING BEDS
1. AT GROUND LEVEL, PREPARE PLANTING BEDS FOR PLANTING BY INCORPORATING A 4" DEPTH OF ORGANIC COMPOST INTO TOP EIGHT INCHES OF EXISTING SOIL, RAKE LEVEL AND MOUND BEDS FOR POSITIVE DRAINAGE. LARGE SHRUBS AND TREES ARE TO BE POCKET PLANTED PER PLANTING DETAILS.
2. RAISED PLANTERS AT GROUND LEVEL TO BE BACKFILLED, IN LIFTS OF 6", WITH LIVING EARTH'S MIXED SOIL WITH COMPOST, AVAILABLE FROM LIVING EARTH OR APPROVED EQUAL.

FERTILIZER
ADD FERTILIZER TABLETS TO ALL TREES AND SHRUBS; ONE TABLET PER 1/2" CALIPER FOR TREES AND ONE TABLET PER 1/2" OF HEIGHT OR SPREAD FOR EACH LARGE SHRUB AT INSTALLATION. FERTILIZE SMALL SHRUBS AND ORNAMENTAL GRASSES WITH 1-1-1 RATIO FERTILIZER AT FACTUAL NITROGEN PER 1000#. FERTILIZE TURF GRASS WITH 3-1-2 RATIO FERTILIZER AT 1# ACTUAL NITROGEN PER 1000#.

PRUNING
ALL TREES TO BE PRUNED AT INSTALLATION TO REMOVE DEAD AND UNSIGHTLY LIMBS. ALL TREES ARE TO MATCH IN HEIGHT, SPREAD, CLEAR TRUNK AND SHALL HAVE STRAIGHT TRUNKS.

MULCH
AFTER INSTALLATION OF ALL PLANT MATERIAL, MULCH ALL BEDS AND TREE WELLS TO 2" DEPTH WITH A FINE SHREDDED HARDWOOD MULCH (MIN. 80% DECOMPOSED).

TOPSOIL
TOPSOIL SHALL BE NATURAL, FERTILE, FRIABLE SOIL POSSESSING CHARACTERISTICS OF REPRESENTATIVE PRODUCTIVE SOILS IN THE VICINITY. IT SHALL NOT BE EXCESSIVELY ACID OR ALKALINE OR CONTAIN TOXIC SUBSTANCES WHICH MAY BE HARMFUL TO PLANT GROWTH. TOPSOIL SHALL BE WITHOUT ADMIXTURE OF SUBSOIL AND SHALL CONTAIN A MINIMUM OF LUMPS, STONE, STUMPS, ROOTS OF SIMILAR SUBSTANCE ONE INCH OR MORE IN DIAMETER. TOPSOIL SHALL BE FREE FROM WEEDS AND OTHER NOXIOUS MATERIALS. TOPSOIL SHALL NOT BE STRIPPED, COLLECTED OR DEPOSITED WHILE WET. SPREAD TOPSOIL WHERE NECESSARY TO FILL LOW AREAS TO ACHIEVE POSITIVE DRAINAGE.

STAKING, GUYING
ALL TREES ARE TO BE STAKED AND GUYED THROUGH THE ONE YEAR WARRANTY AT WHICH TIME THE OWNER SHALL BE DETERMINE IF REMOVAL IS NECESSARY (REFER TO PLANTING DETAILS).

MAINTENANCE
LANDSCAPE CONTRACTOR SHALL BE RESPONSIBLE FOR MAINTAINING ALL LANDSCAPING IN ACCORDANCE WITH STANDARD HORTICULTURAL PROCEDURES, INCLUDING IRRIGATION AS NECESSARY, UNTIL SUBSTANTIAL COMPLETION AND ACCEPTANCE BY THE OWNER.

TURF GRASS
1. NEW AND DISTURBED AREAS TO BE SOLID SOD BERMUDA GRASS; TILL AREAS TO 2" DEPTH; RAKE LEVEL AND SMOOTH FILLING IN LOW AREAS AND LOWERING HIGH AREAS, FINISH GRADE TO BE 1" BELOW ALL PAVING, CURBS, STEEL EDGING, ETC. ALL TURF GRASS AREAS TO HAVE 100% POSITIVE DRAINAGE. INSURE TURF GRASS RECEIVES PROPER IRRIGATION AND MAINTENANCE DURING SPECIFIED MAINTENANCE PERIOD.
2. RENOVATION OF EXISTING LAWN AREAS: TREAT AREAS FOR WEEDS WITH EITHER A BROADLEAF AND/OR A GRASSY WEED HERBICIDE; AERATE LAWN; FILL IN LOW AREAS WITH APPROVED TOPSOIL AND LOWER HIGH AREAS; HYDRO MULCH AREAS WITH BERMUDA GRASS SEED AT 2 LBS. LIVE SEED PER 1,000#.

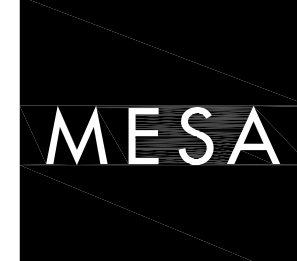
NATIVE GRASS
FIELD MOW AREAS DESIGNATED AS NATIVE GRASSES TO ONE INCH HEIGHT, FILL IN LOW AREAS WITH APPROVED TOP SOIL AND LOWER HIGH AREAS, HYDRO MULCH AREA WITH SAVANNAH MIX FROM NATIVE AMERICAN SEED AT RECOMMENDED SEEDING RATES.

'BLACKLAND' PRAIRIE
FIELD MOW AREAS DESIGNATED AS 'BLACKLAND' PRAIRIE TO ONE INCH HEIGHT, FILL IN LOW AREAS WITH APPROVED TOP SOIL AND LOWER HIGH AREAS, HYDRO MULCH AREA WITH BLACKLAND PRAIRIE MIX FROM NATIVE AMERICAN SEED AT RECOMMENDED SEEDING RATES.

| PLANT MATERIAL SCHEDULE | | | | | | | | |
|-------------------------|--------------|--|------------------------------|-------------|-------------|--------------|---|--|
| PLANT QUANTITY | PLANT SYMBOL | COMMON NAME BOTANICAL NAME | SIZE MIN. | HEIGHT MIN. | SPREAD MIN. | SPACING MIN. | COMMENTS | |
| | | | CANOPY TREES | | | | | |
| | | LIVE OAK Quercus virginiana | 4" CAL. | 12' | 4'-5' | AS SHOWN | NURSERY GROWN, MATCHED, WELL BRANCHED, STRONG CENTRAL LEADER | |
| | | RED OAK Quercus shumardii | 4" CAL. | 12' | 4'-5' | AS SHOWN | NURSERY GROWN, MATCHED, WELL BRANCHED, STRONG CENTRAL LEADER | |
| | | BUR OAK Quercus macrocarpa | 4" CAL. | 12' | 4'-5' | AS SHOWN | NURSERY GROWN, MATCHED, WELL BRANCHED, STRONG CENTRAL LEADER | |
| | | WHITE OAK Quercus alba | 4" CAL. | 12' | 4'-5' | AS SHOWN | NURSERY GROWN, MATCHED, WELL BRANCHED, STRONG CENTRAL LEADER | |
| | | BALD CYPRESS Taxodium distichum | 4" CAL. | 12' | 4'-5' | AS SHOWN | NURSERY GROWN, MATCHED, WELL BRANCHED, STRONG CENTRAL LEADER | |
| | | CEDAR ELM Ulmus crassifolia | 4" CAL. | 12' | 4'-5' | AS SHOWN | NURSERY GROWN, MATCHED, WELL BRANCHED, STRONG CENTRAL LEADER | |
| | | CHINESE PISTACHE Pistacia chinensis | 4" CAL. | 12' | 4'-5' | AS SHOWN | NURSERY GROWN, MATCHED, WELL BRANCHED, STRONG CENTRAL LEADER | |
| | | POND CYPRESS Taxodium ascendens | 4" CAL. | 12' | 4'-5' | AS SHOWN | NURSERY GROWN, MATCHED, WELL BRANCHED, STRONG CENTRAL LEADER | |
| | | | ORNAMENTAL & EVERGREEN TREES | | | | | |
| | | CRAPE MYRTLE Lagerstroemia indica | 2" CAL. | 8'-10' | 5'-6' | 15' | B&B, NURSERY GROWN, MATCHED, WELL BRANCHED, STRONG CENTRAL LEADER | |
| | | CRAPE MYRTLE 'TUSCARORA' Lagerstroemia indica x fauriei 'Tuscarora' | 2" CAL. | 8'-10' | 5'-6' | 15' | B&B, NURSERY GROWN, MATCHED, WELL BRANCHED, STRONG CENTRAL LEADER; RED; 3-CANES MINIMUM | |
| | | CRAPE MYRTLE 'NATCHEZ' Lagerstroemia indica x fauriei 'Natchez' | 2" CAL. | 8'-10' | 5'-6' | 15' | B&B, NURSERY GROWN, MATCHED, WELL BRANCHED, STRONG CENTRAL LEADER; WHITE; 3-CANES MINIMUM | |
| | | EASTERN RED CEDAR Juniperus virginiana | 2" CAL. | 8'-10' | 5'-6' | 15' | B&B, NURSERY GROWN, MATCHED, WELL BRANCHED, STRONG CENTRAL LEADER | |
| | | 'YAUPOIN HOLLY Ilex vomitoria | 2" CAL. | 8'-10' | 5'-6' | 15' | B&B, NURSERY GROWN, MATCHED, WELL BRANCHED, STRONG CENTRAL LEADER | |
| | | VITEK Vitex agnus-castus | 2" CAL. | 8'-10' | 5'-6' | 15' | B&B, NURSERY GROWN, MATCHED, WELL BRANCHED, STRONG CENTRAL LEADER | |
| | | POSSUMHAW HOLLY Ilex decidua | 2" CAL. | 6'-8' | 4'-5' | 15' | B&B, NURSERY GROWN, MATCHED, WELL BRANCHED, STRONG CENTRAL LEADER | |
| | | REDBUD Cercis canadensis | 2" CAL. | 8'-10' | 5'-6' | 15' | B&B, NURSERY GROWN, MATCHED, WELL BRANCHED, STRONG CENTRAL LEADER | |
| | | TEXAS SAGE Leucophyllum frutescens | 2" CAL. | 3'-4' | 2'-3' | 15' | NURSERY GROWN, MATCHED, WELL BRANCHED, 5-7 CANES MINIMUM, TO BE PLANTED 5' O.C. | |
| | | HOLLIES Ilex sp. | 2" CAL. | 3'-4' | 2'-3' | 15' | NURSERY GROWN, MATCHED, WELL BRANCHED, 5-7 CANES MINIMUM, TO BE PLANTED 5' O.C. | |
| | | SAVANNAH HOLLY Ilex x attenuata 'Savannah' | 2" CAL. | 12"-14" | 5'-6' | - | FILL, WELL BRANCHED, STRONG CENTRAL LEADER; CONTAINER GROWN, TREE FORM, SINGLE TRUNK | |
| | | WAX MYRTLE Myrica cerifera | 2" CAL. | 6'-8' | 4'-5' | - | | |
| | | | HARDSCAPE MATERIALS | | | | | |
| LF | | STEEL EDGING | 10" / 16" LENGTHS | - | - | - | 1/8" STEEL EDGING, COLOR BLACK ENAMEL | |

RECEIVED
By Planning Department at 8:26 am, Apr 16, 2015

Architect of Record: Brinkley Sargent Wightman Architects
Site / Aquatics / Interior Design: Brinkley Sargent Wightman Architects (972) 960-9970 (614) 461-4644
Design Architect: Recreation Moody Nolan, Inc. (214) 871-0568
Landscape: MESA L.A. Evans Partners, Inc. (214) 741-1589
Structure: M+E Engineers (214) 562-4409
Civil: Cross Engineering Consultants (314) 894-0109
Aquatics: Councilman-Hunaker



1807 Ross Ave,
Suite 333
Dallas, Texas 75201
214.871.0568 tel
214.871.1507 fax
mesadesigngroup.com

This drawing and the design shown is the property of MESA Design Associates, Inc. and shall not be used, copied, or any other use without the written consent of MESA. It is prohibited and any infringement will be subject to legal action. © Copyright 2015, MESA.

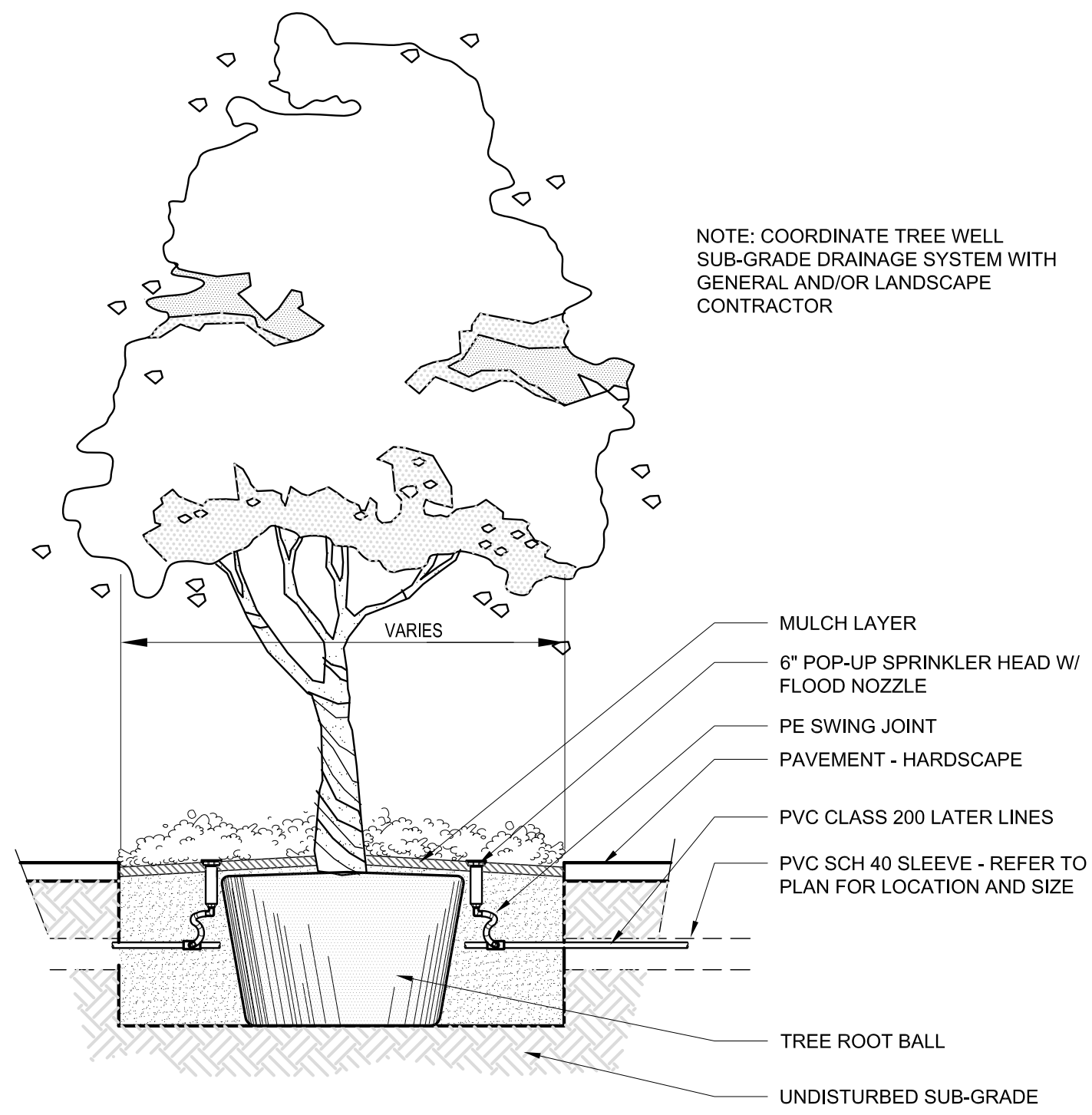
MCKINNEY AQUATIC & FITNESS CENTER

3005 Alma Road, McKinney, Texas 75070

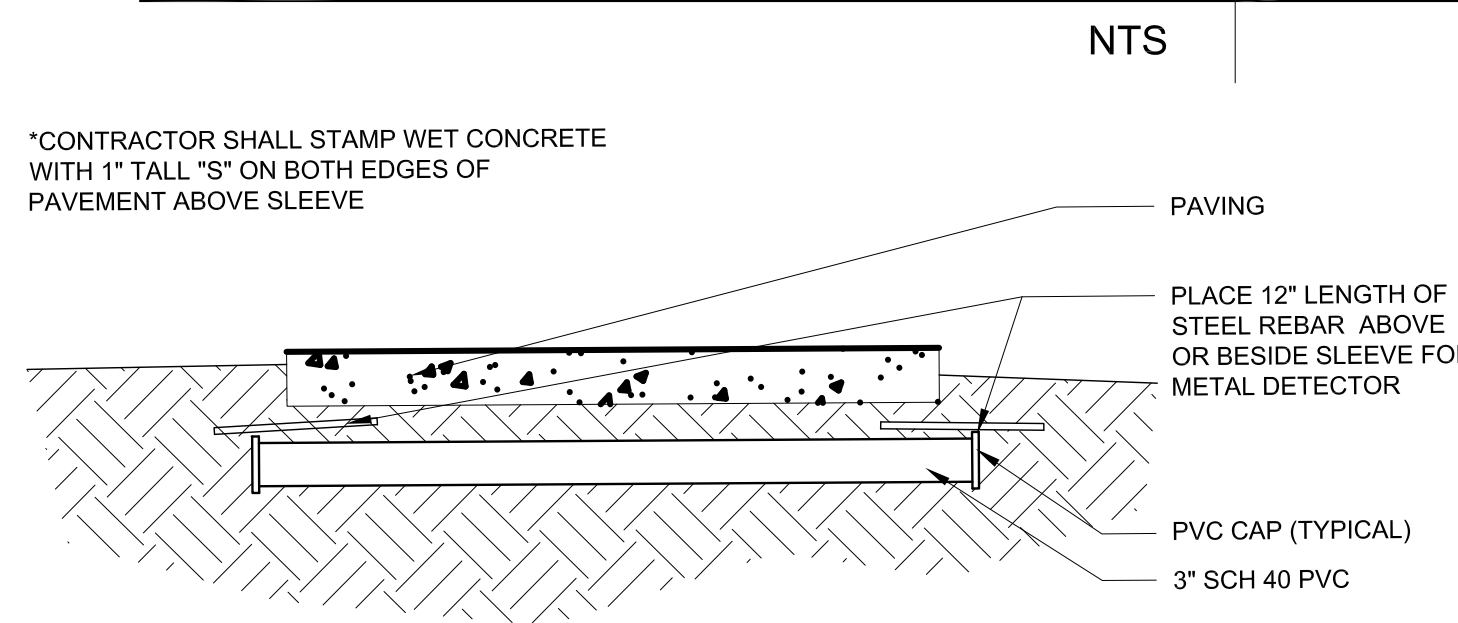
| REVISIONS | | |
|-----------|------|-------------|
| # | Date | Description |
| | | |

PROGRESS PRINT
PROGRESS SET FOR REVIEW ONLY. THESE DOCUMENTS ARE FOR DESIGN REVIEW AND NOT INTENDED FOR CONSTRUCTION OR BIDDING PURPOSES. THEY WERE PREPARED BY OR UNDER THE SUPERVISION OF STANLEY COWAN ASSOCIATES, LICENSED LANDSCAPE ARCHITECT STATE OF TEXAS LIC. #2116

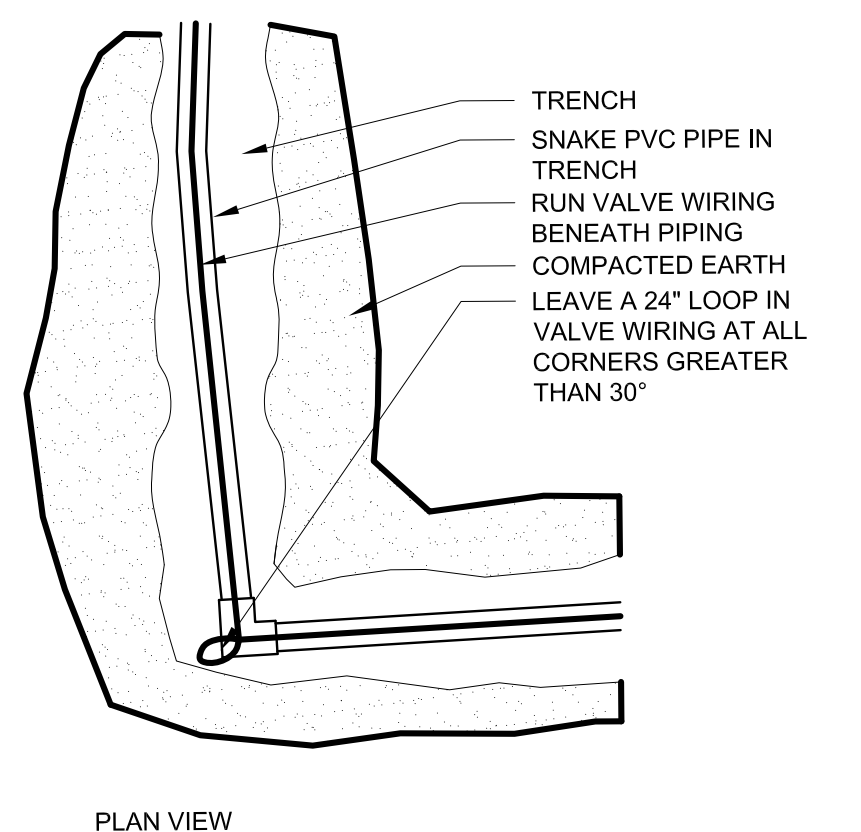
PLANTING SCHEDULE AND NOTES



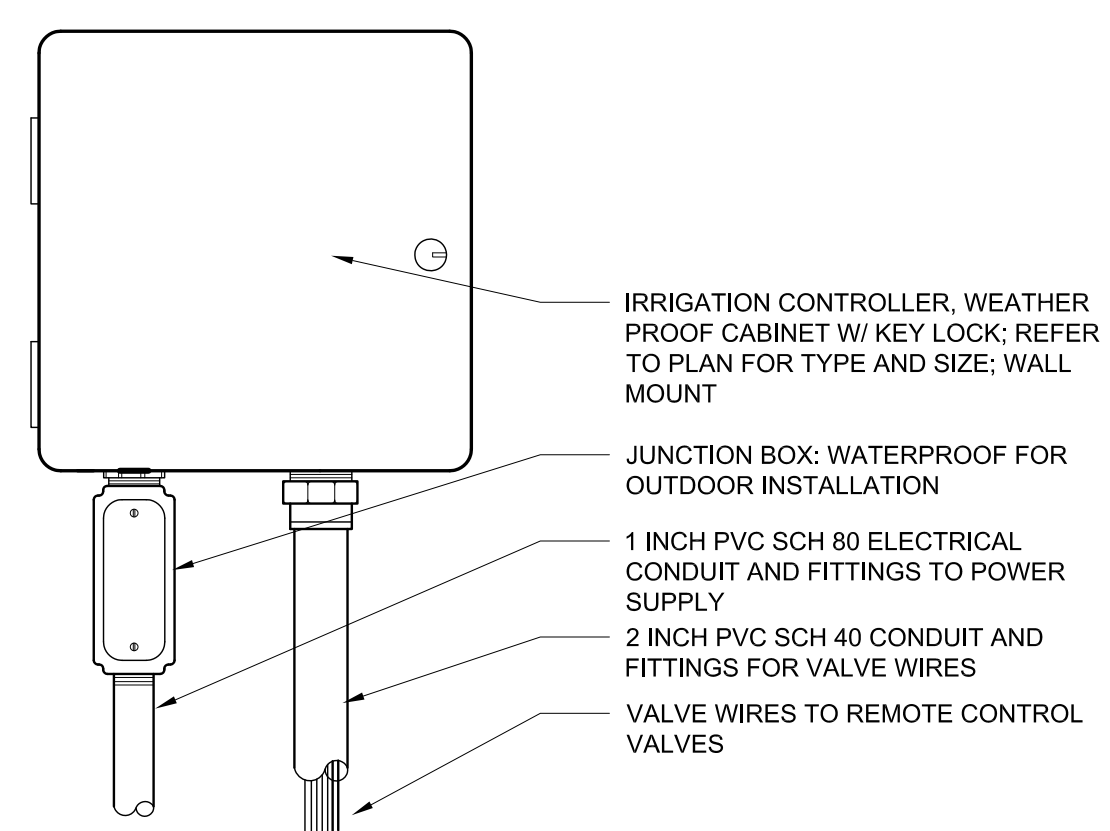
Tree Well Irrigation Detail R



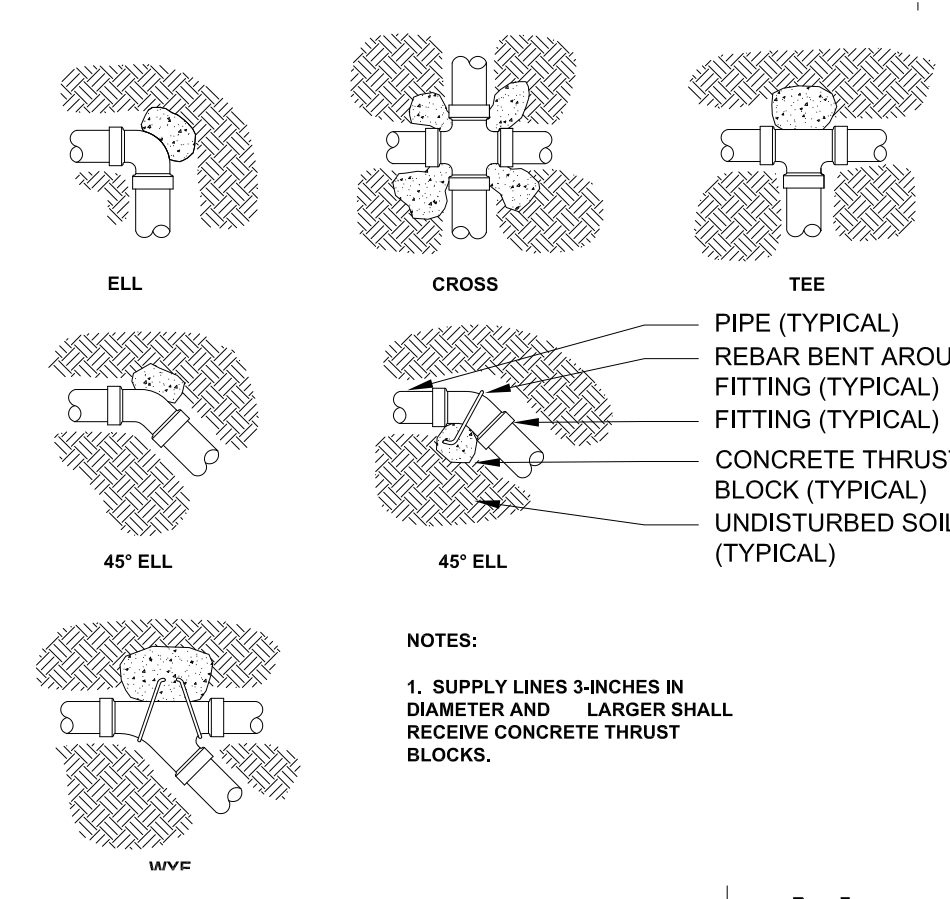
Sleeving Q



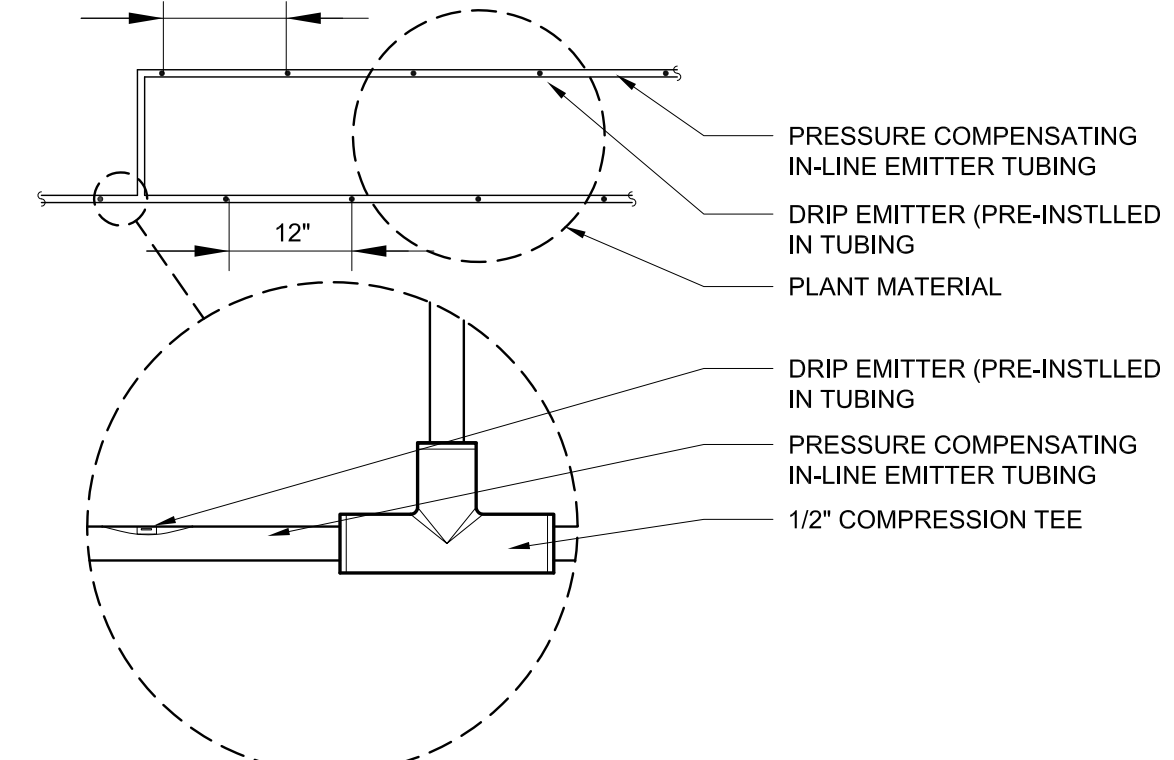
Pipe Trench Detail P



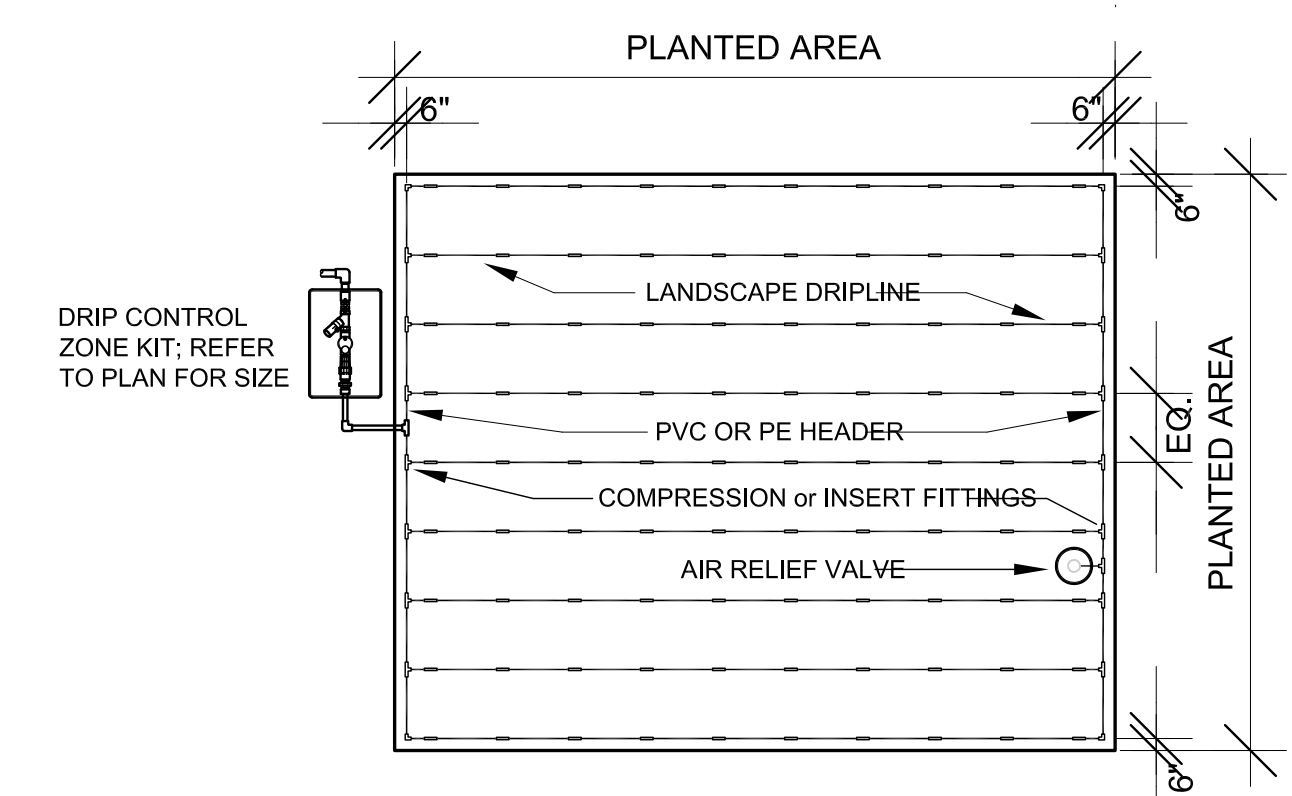
Controller - Wall Mount O



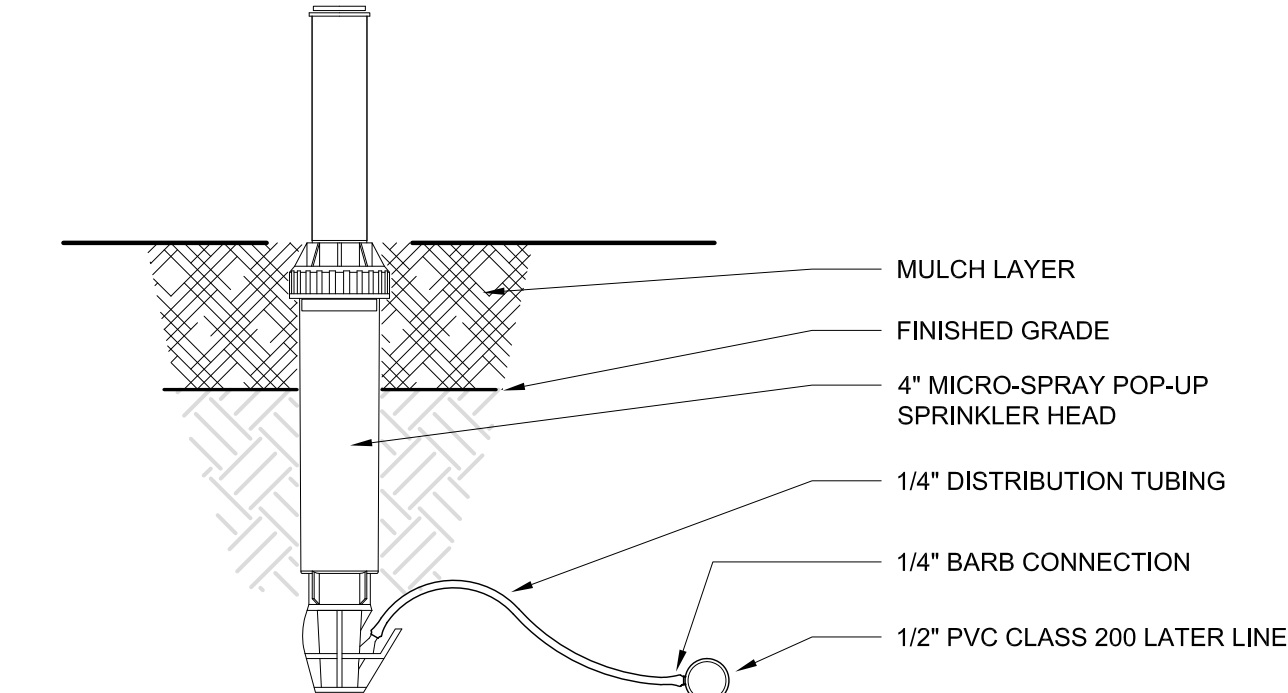
Fittings N



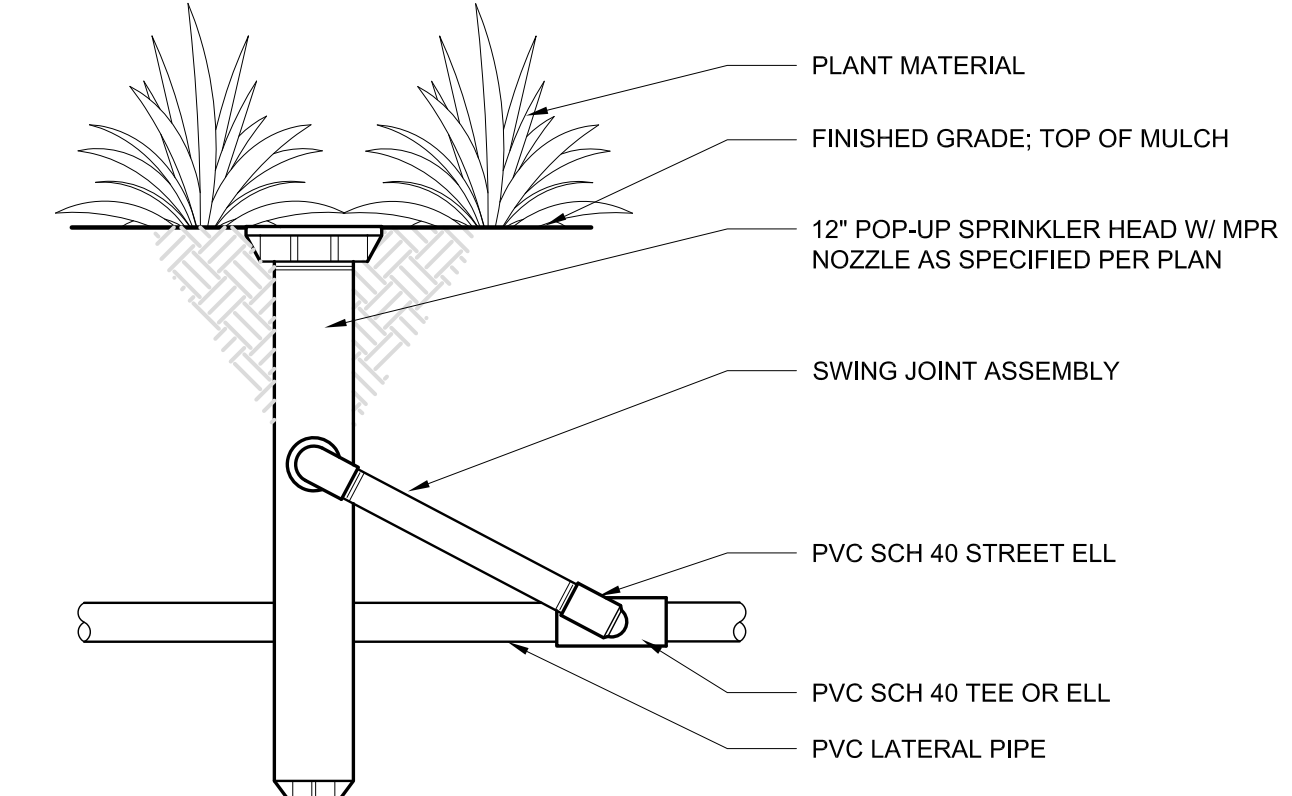
Landscape Dripline Detail M



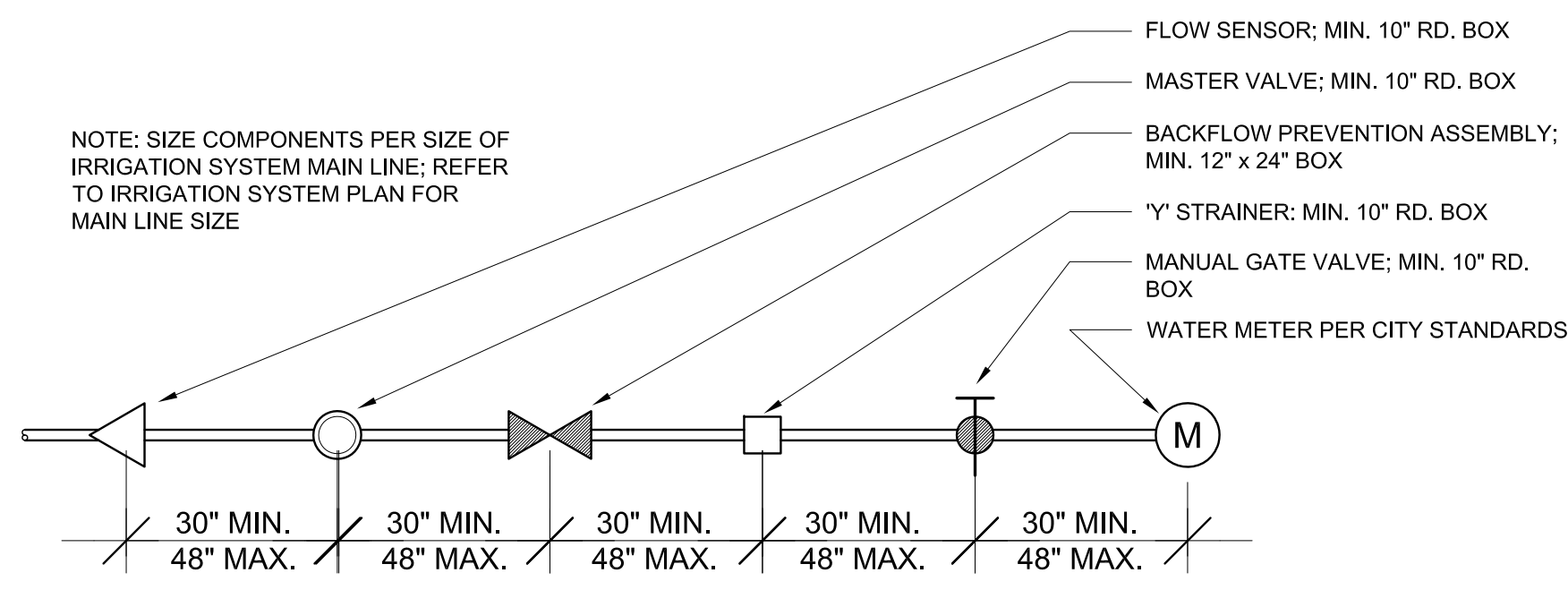
Landscape Dripline Layout L



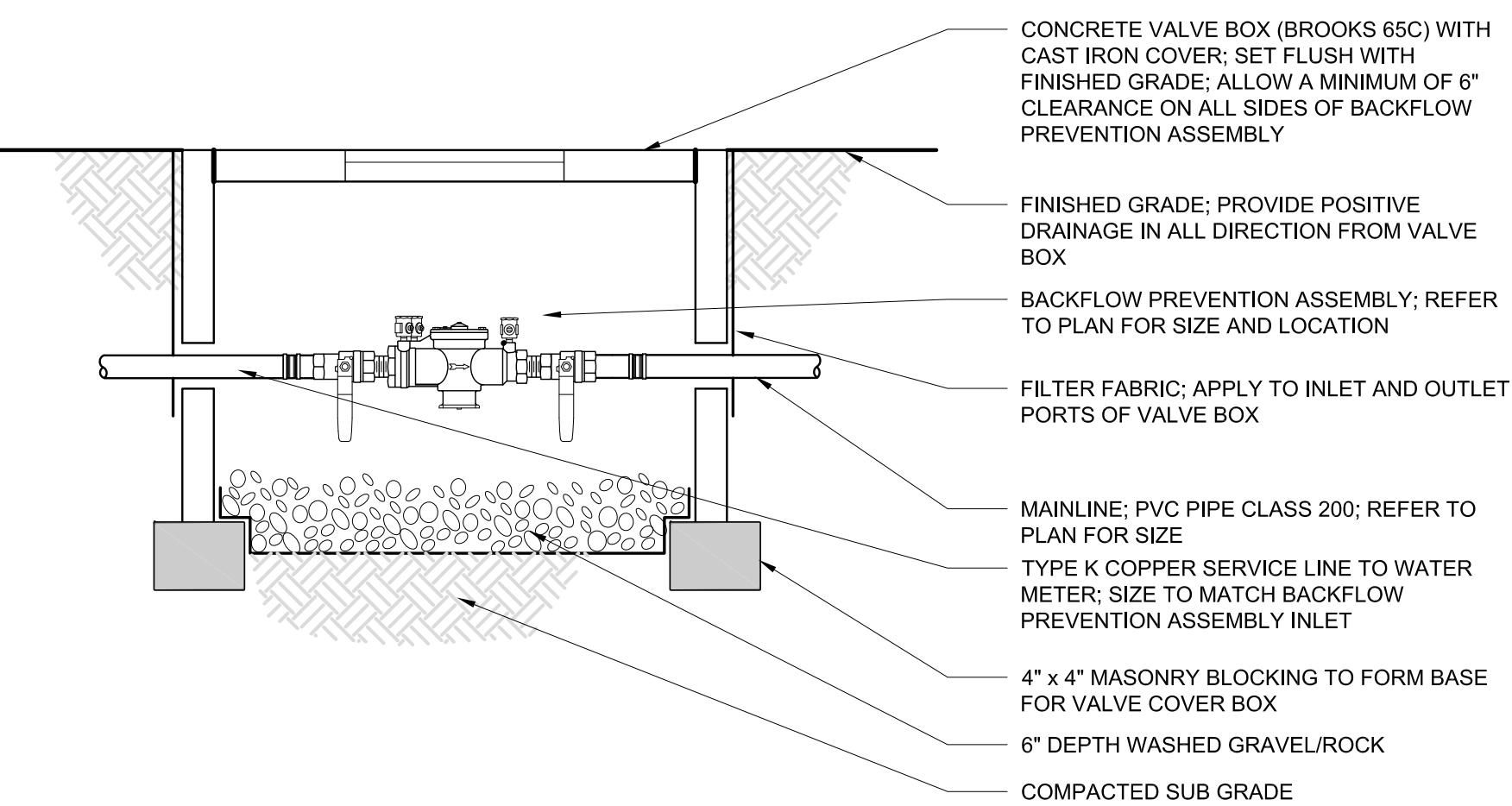
Micro Pop-Up Sprinkler Head Detail H



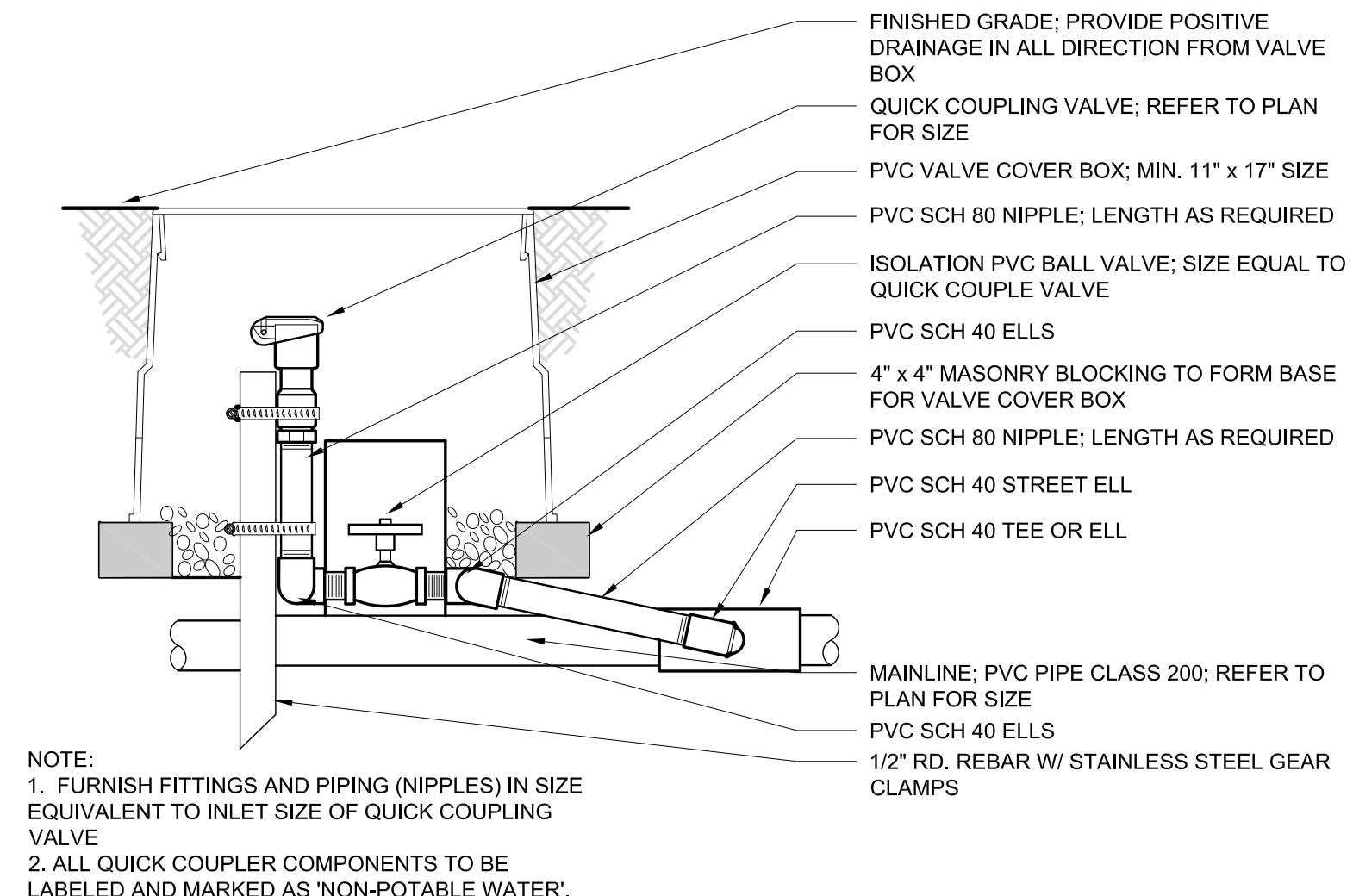
Pop-Up Spray Sprinkler D



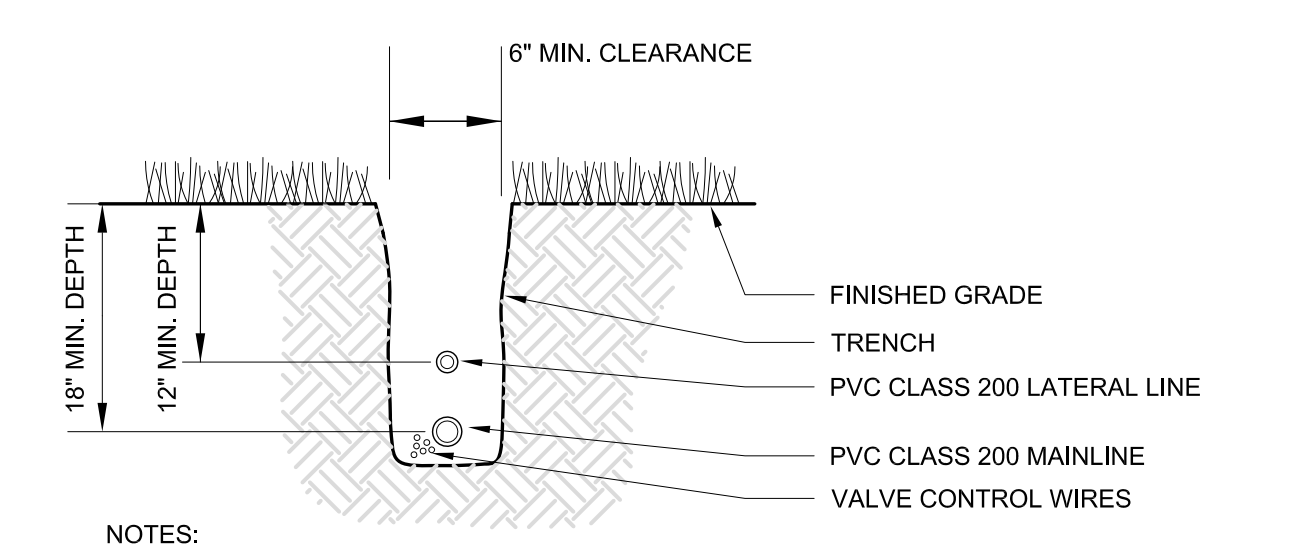
DCA Backflow Prevention Layout Plan K



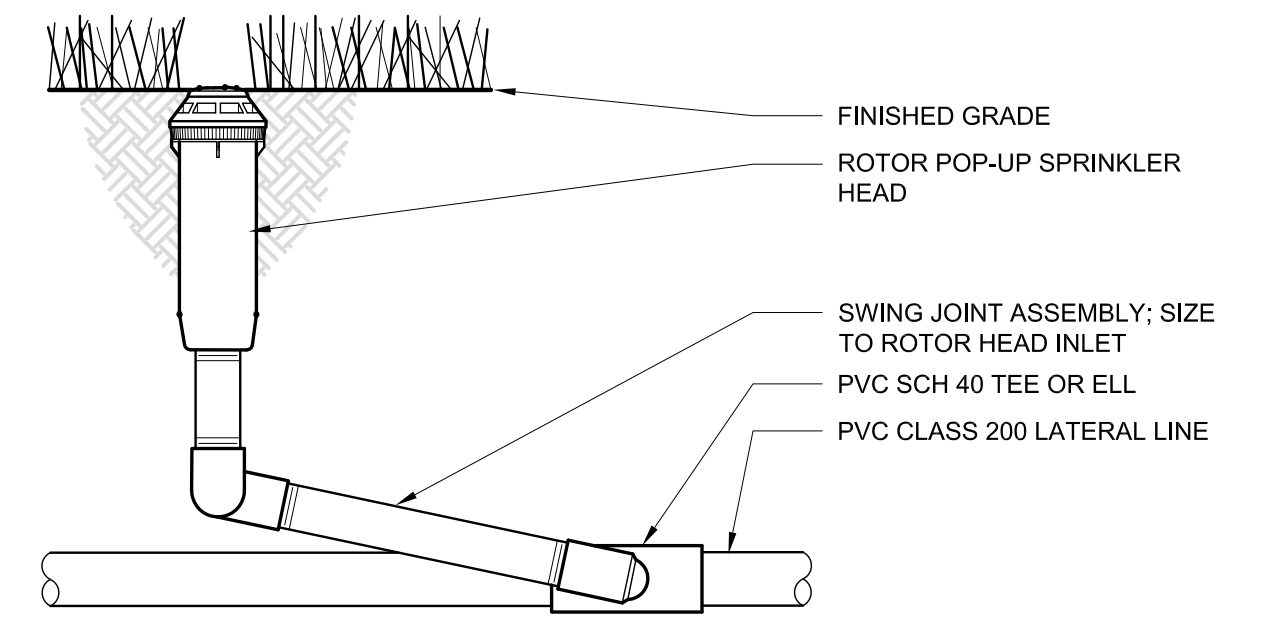
Backflow Prevention Assembly Detail G



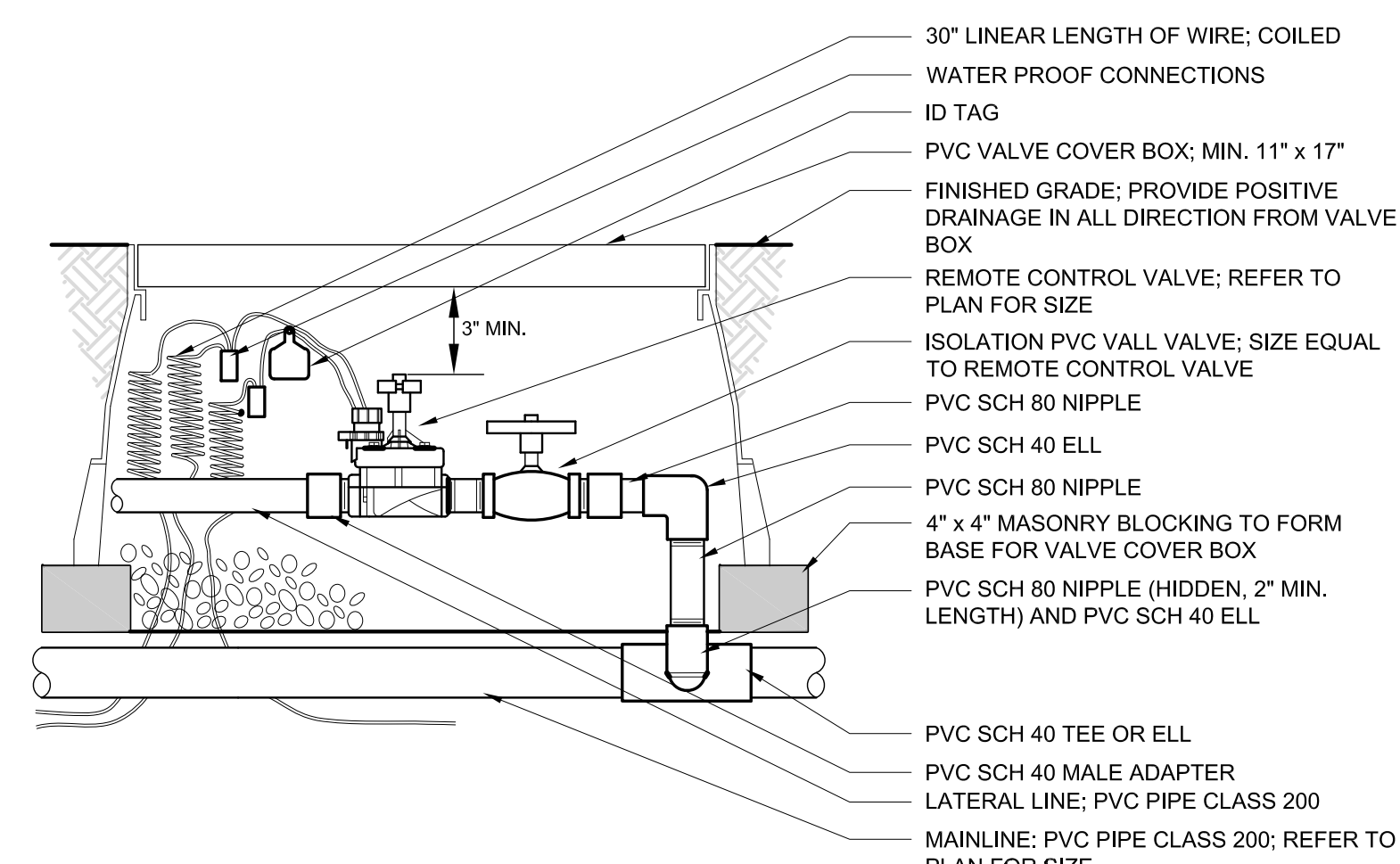
Quick Coupling Valve C



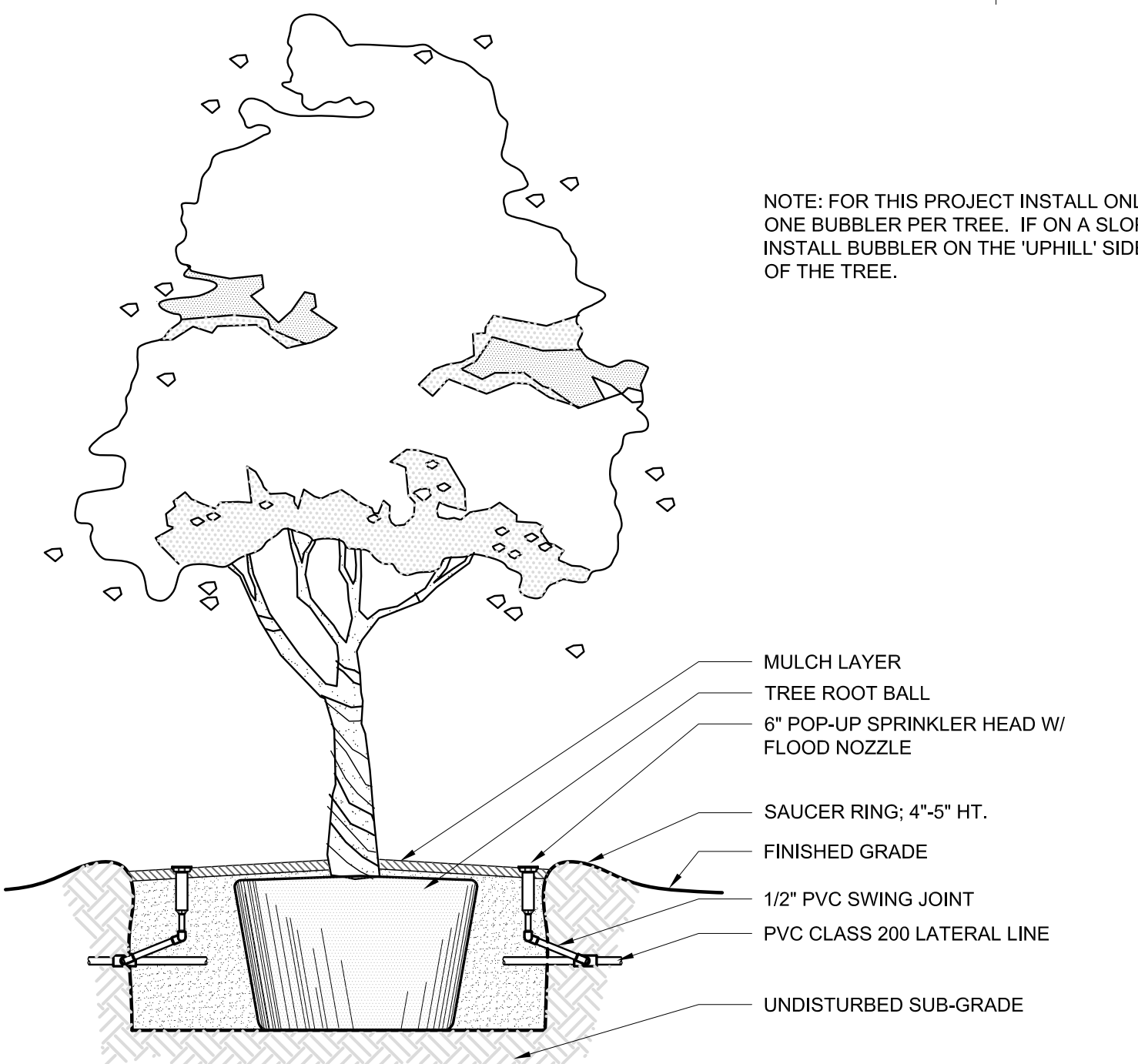
Irrigation Trench Detail J



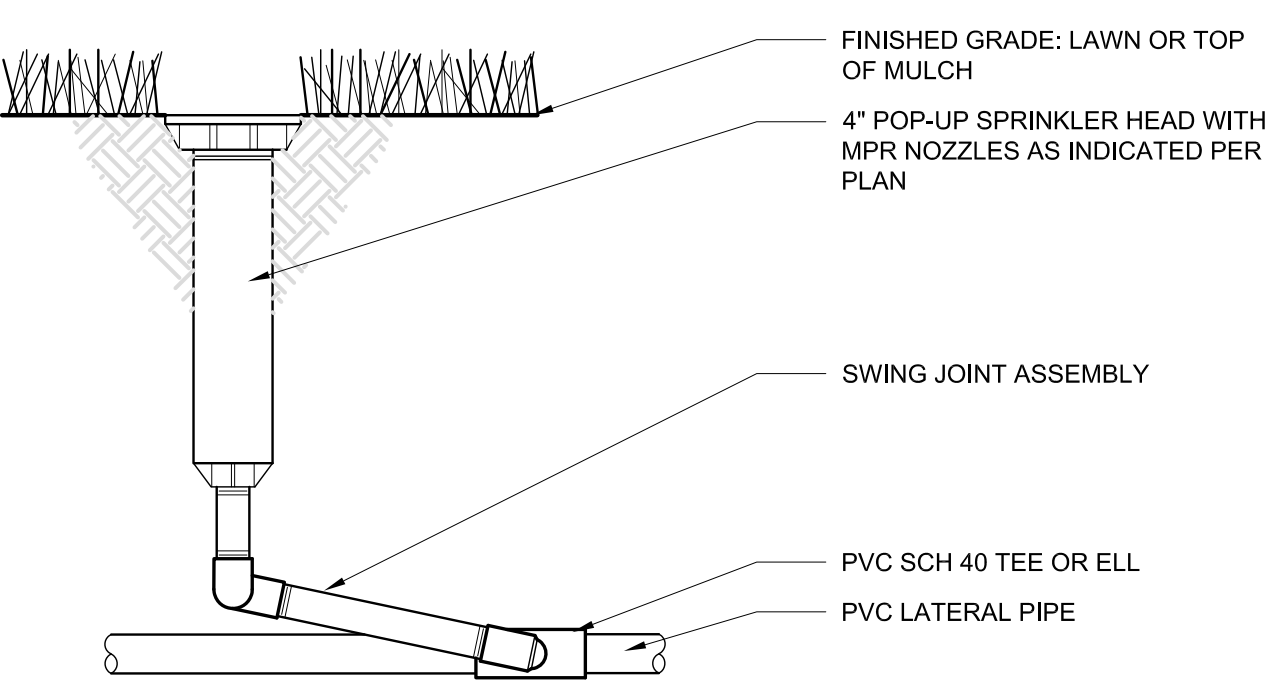
Rotor Pop-Up Sprinkler F



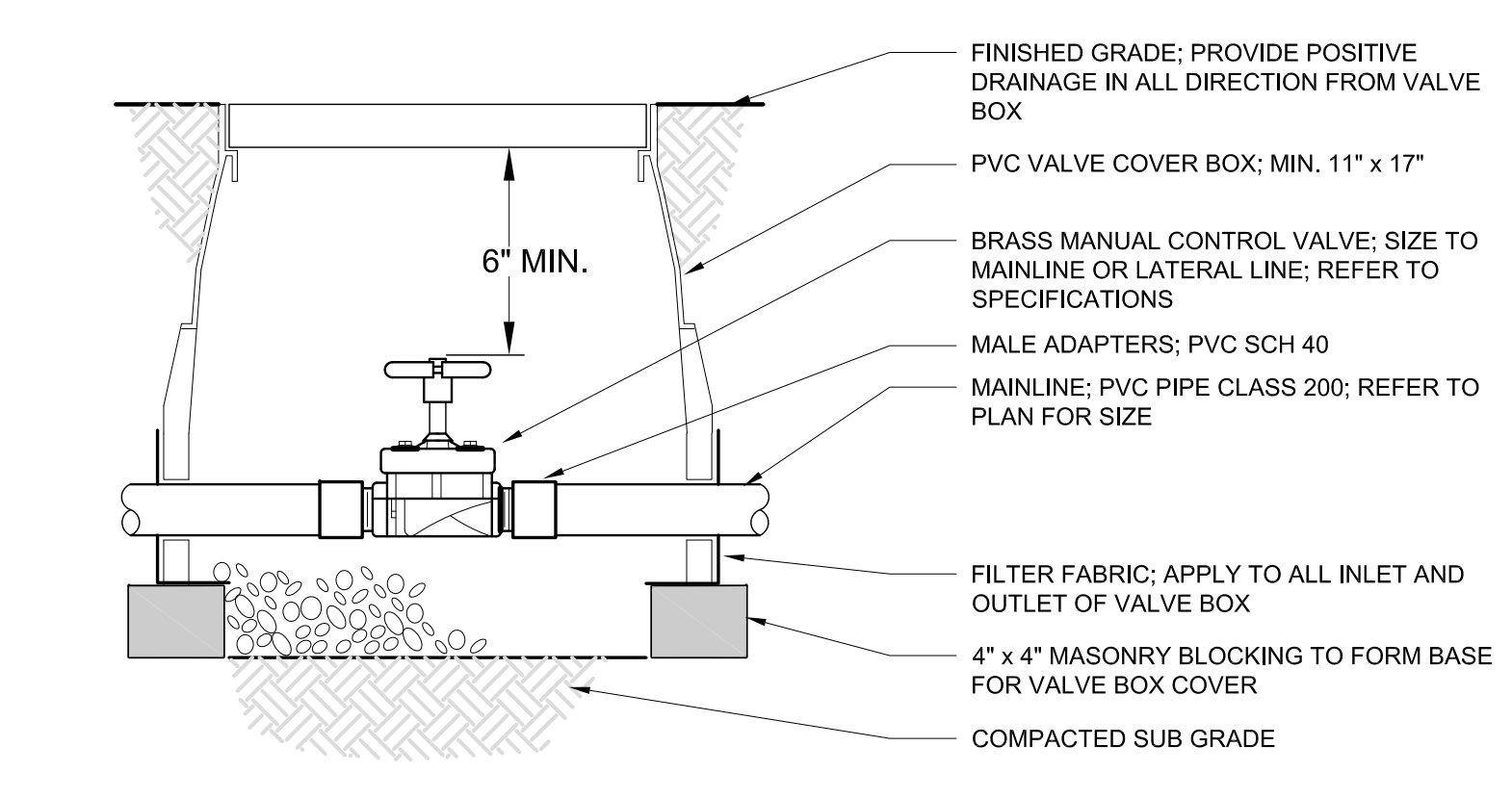
Remote Control Valve B



Tree Bubbler Detail I



Pop-Up Spray Sprinkler E



Manual Control Valve A

Architect of Record: Brinkley Sargent Wiginton Architects
 Site / Analytics / Interior Design: Brinkley Sargent Wiginton Architects
 Design Architect: Recreation
 Landscape: NEMA
 Structure: L.A. Trees Partners, Inc.
 MEP: M/E Engineers
 Civil: Cross Engineering Consultants
 Acoustic: Councilman-Harcker

(972) 960-9970
 (614) 461-4644
 (214) 871-0548
 (214) 871-7010
 (214) 741-1589
 (972) 565-4609
 (817) 894-0109

MCKINNEY AQUATIC & FITNESS CENTER

3003 Alma Road, McKinney, Texas 75070

| REVISIONS | | |
|-----------|------|-------------|
| # | Date | Description |
| | | |

PROGRESS PRINT

THIS DOCUMENT IS INCOMPLETE UNLESS NOTED OTHERWISE FOR REGULATORY APPROVAL. HERIN, OR CONSTRUCTION, REBAR LAYER AUTHORITY OF: STRENGTH, SPRINGS, IA

IRRIGATION DETAILS