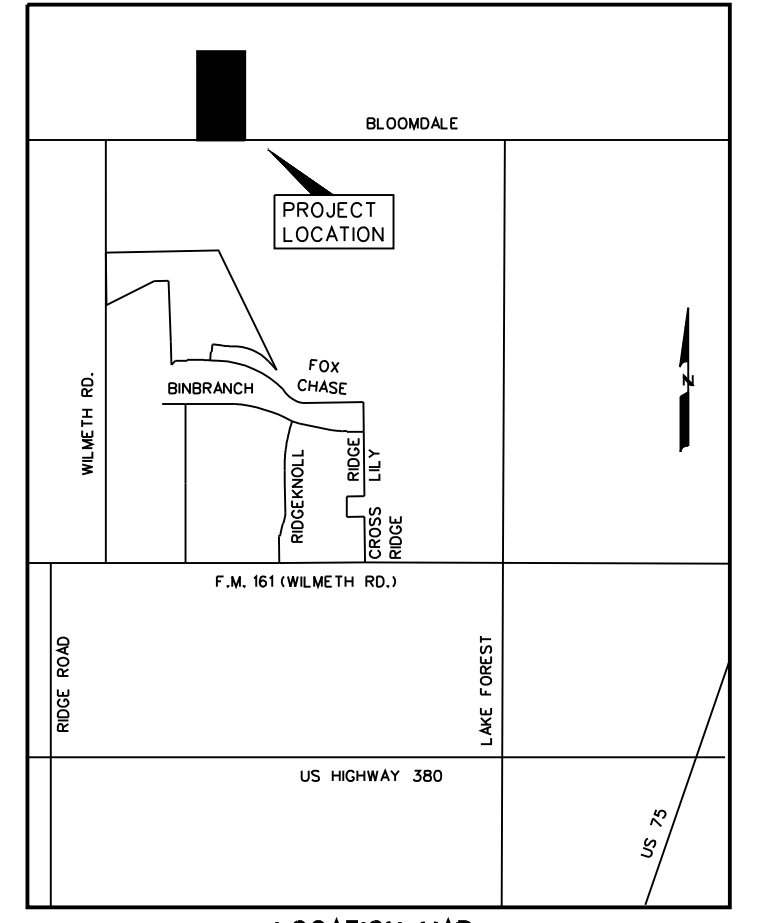
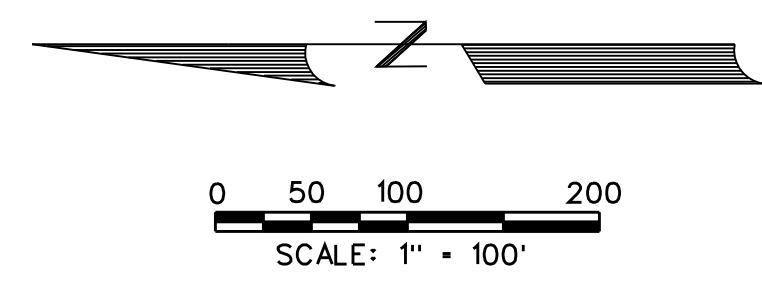


CORWIN ENGINEERING, P.C.  
DEC. NO. 2012041700046128

# Baxter Well Road

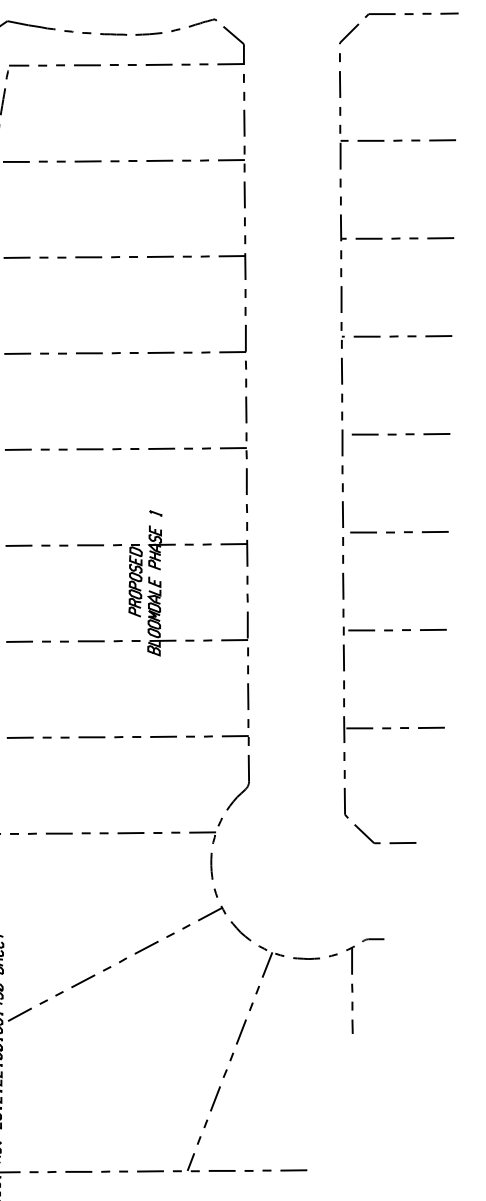


53.834 Acres



LOCATION MAP  
N.T.S.

## Bloomdale Road (County Road 123)



ANNEXATION EXHIBIT  
OF  
**TRACTS 6, 7, 8, 10 & 11**  
OUT OF  
BLOOMRIDGE FARMS  
TRACT 1-17  
OUT OF THE  
JOEL F. STEWARD SURVEY, ABSTRACT NO. 838  
IN THE

COLLIN COUNTY, TEXAS  
APPLICANT  
SICILIANO DEVELOPMENT, INC.  
17943 WINDFLOWER WAY  
DALLAS, TEXAS 75252  
PREPARED BY  
CORWIN ENGINEERING, INC.  
200 W. BELMONT, SUITE E  
ALLEN, TEXAS 75013  
972-396-1200

NOVEMBER 2016 SCALE: 1"=100'