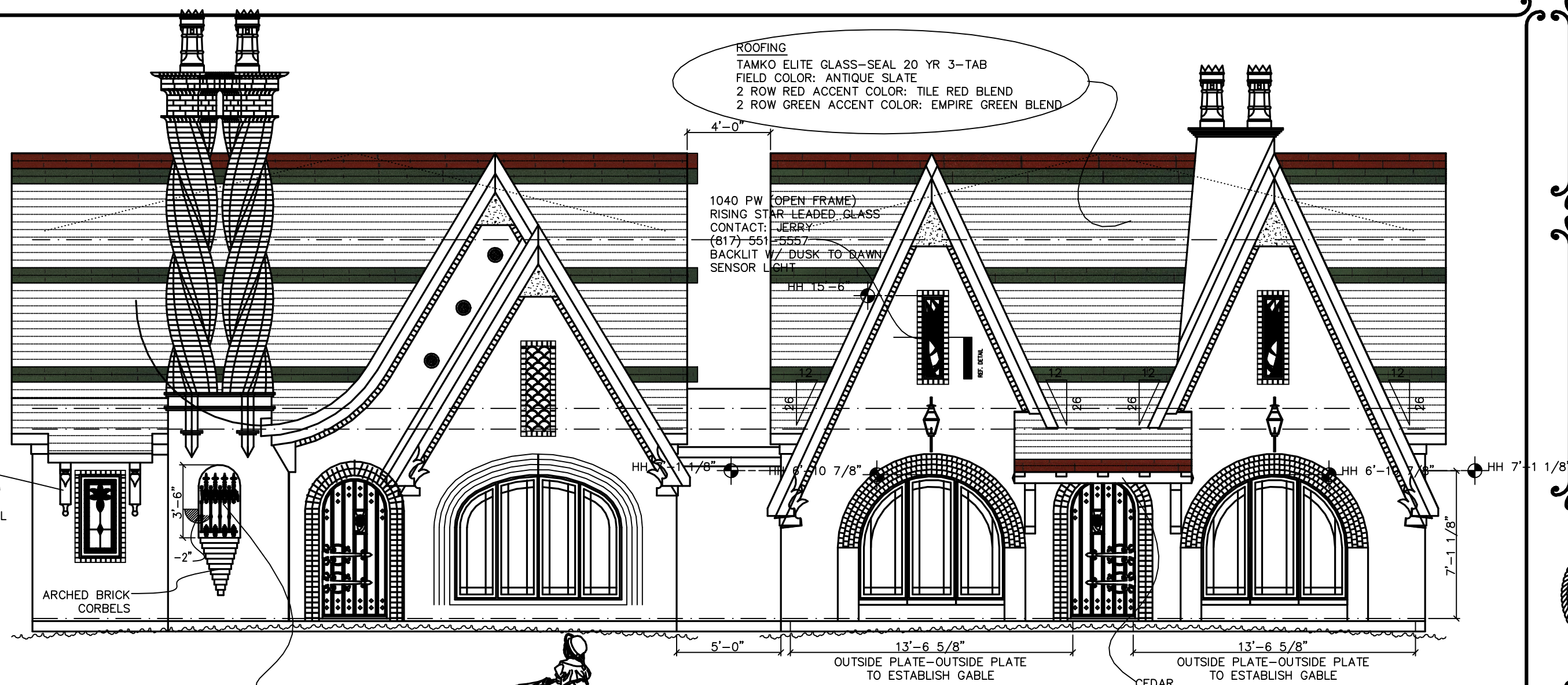


JR ROSE DEVELOPMENT. The designs represented by these plans are copyrighted and subject to copyright infringement protection as an "Architectural Work" under 17 U.S.C., Sect. 102 known as the Architectural Works Protection Act of 1990. Unauthorized use of these plans (including form and arrangement of spaces), data, and other aspects of the design will subject the infringer to damages and/or judicial action as provided by Federal Law.

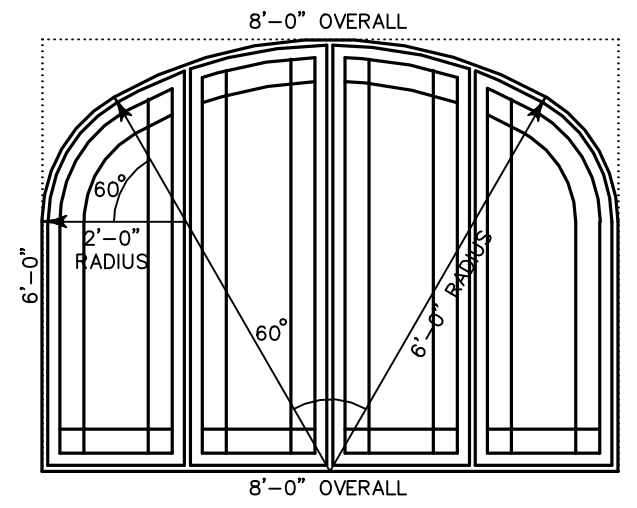


01 FRONT ELEVATION
 SCALE 3/16"=1'-0"

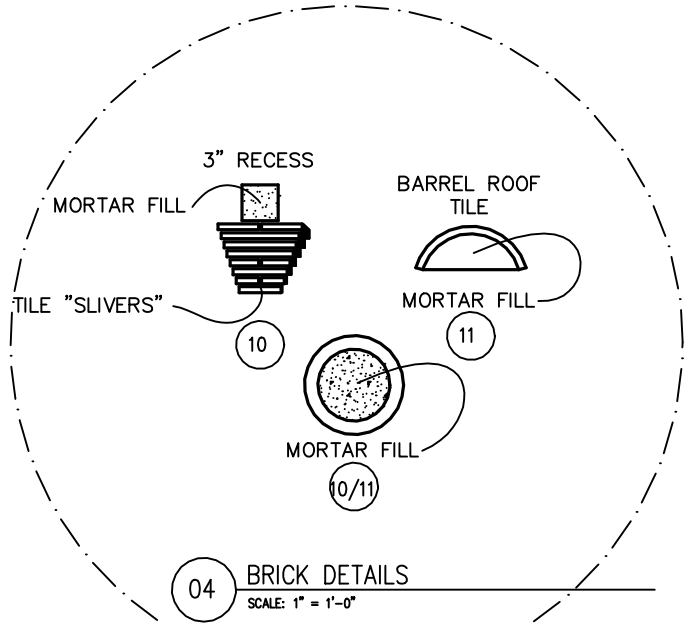
KING ARCHITECTURAL METALS
 ITEM #45-84
 (800) 542-2379 T.
 PAINTED RED

02 FRONT ELEVATION
 SCALE 3/16"=1'-0"

CEDAR
 6X8 BEAM
 6X6 RAFTERS
 PITCH: 12:12
 SUPPLIER/INSTALLER: LATHAM STAIRS
 (940) 458-3075 T.



03 SEGMENTAL ARCH WINDOW DETAIL
 SCALE: 1" = 1'-0"



04 BRICK DETAILS
 SCALE: 1" = 1'-0"

Drawn By:
 Jason R. Rose
 Preparation Date:
 Revisions:
 Notes:

LUSTIG ADDITION
 MCKINNEY TEXAS



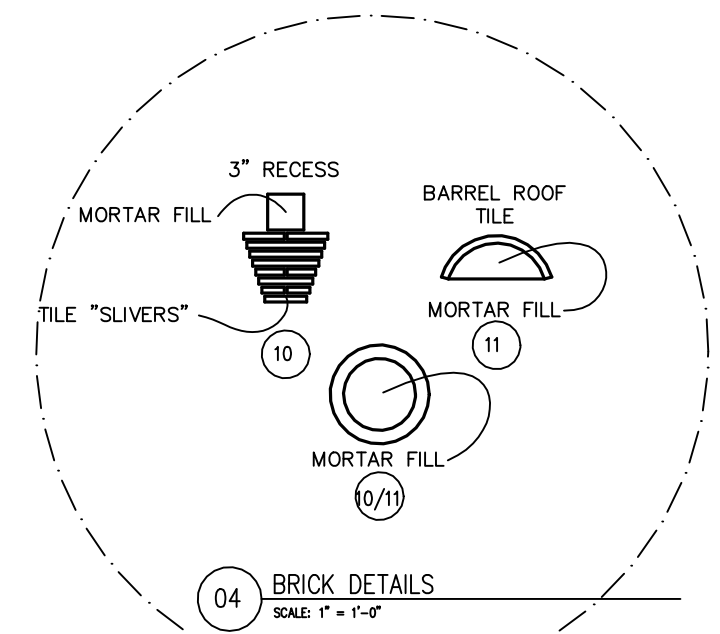
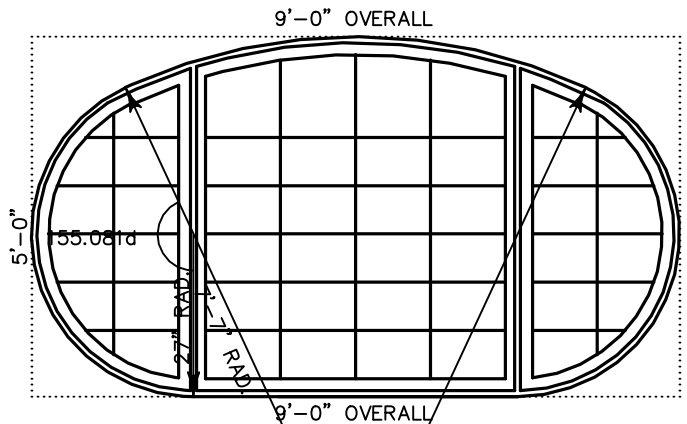
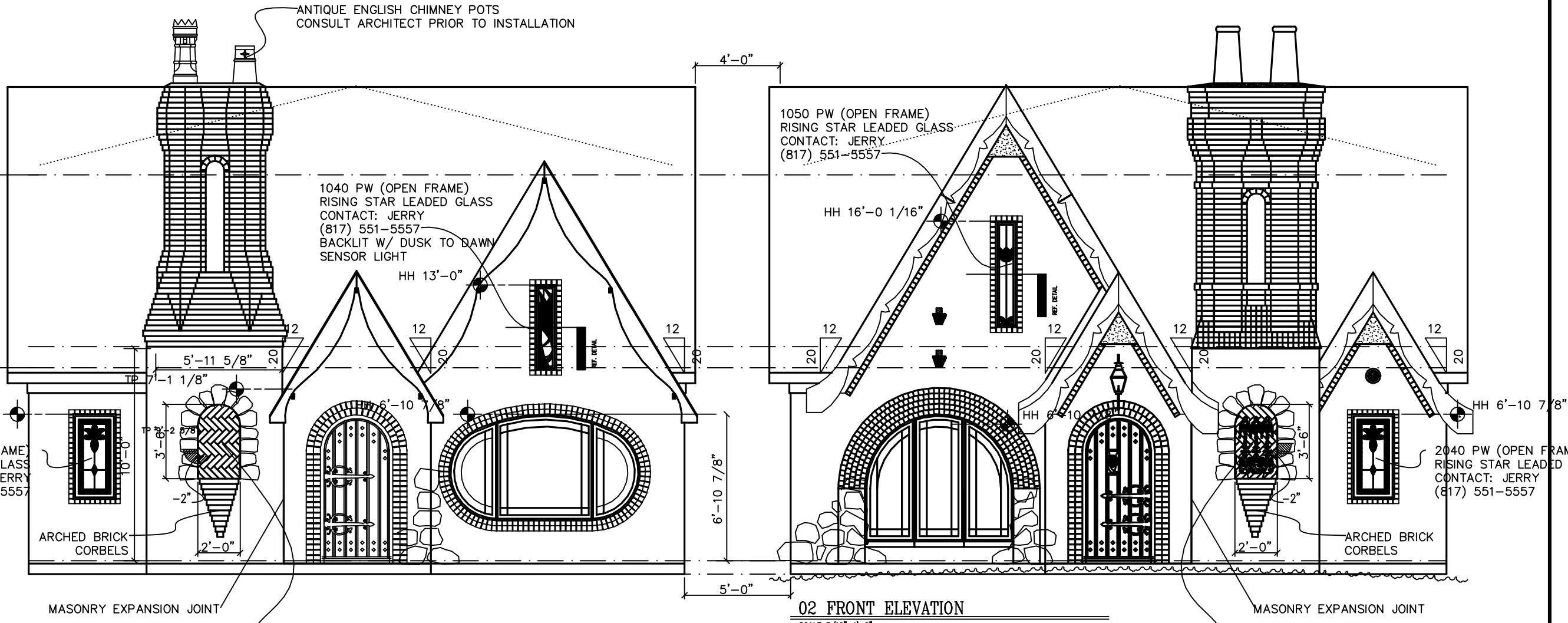
JR ROSE
 ARCHITECTURE
 (214) 454-7895 Tel. (972) 420-0324 Fax

RECEIVED
 By Karen McCutcheon at 2:23 pm, Feb 04, 2013



SHEET
A1

JR ROSE DEVELOPMENT. The designs represented by these plans are copyrighted and subject to copyright infringement protection under 17 U.S.C. Sect. 102 known as the Architectural Works Protection Act of 1990. Unauthorized use of these plans (including form and arrangement of spaces), data, and other aspects of the design will subject the infringer to damages and/or judicial action as provided by Federal Law.



RECEIVED
 By Karen McCutcheon at 2:24 pm, Feb 04, 2013



Drawn By:
 Jason R. Rose
 Preparation Date:
 Revisions:
 Notes:

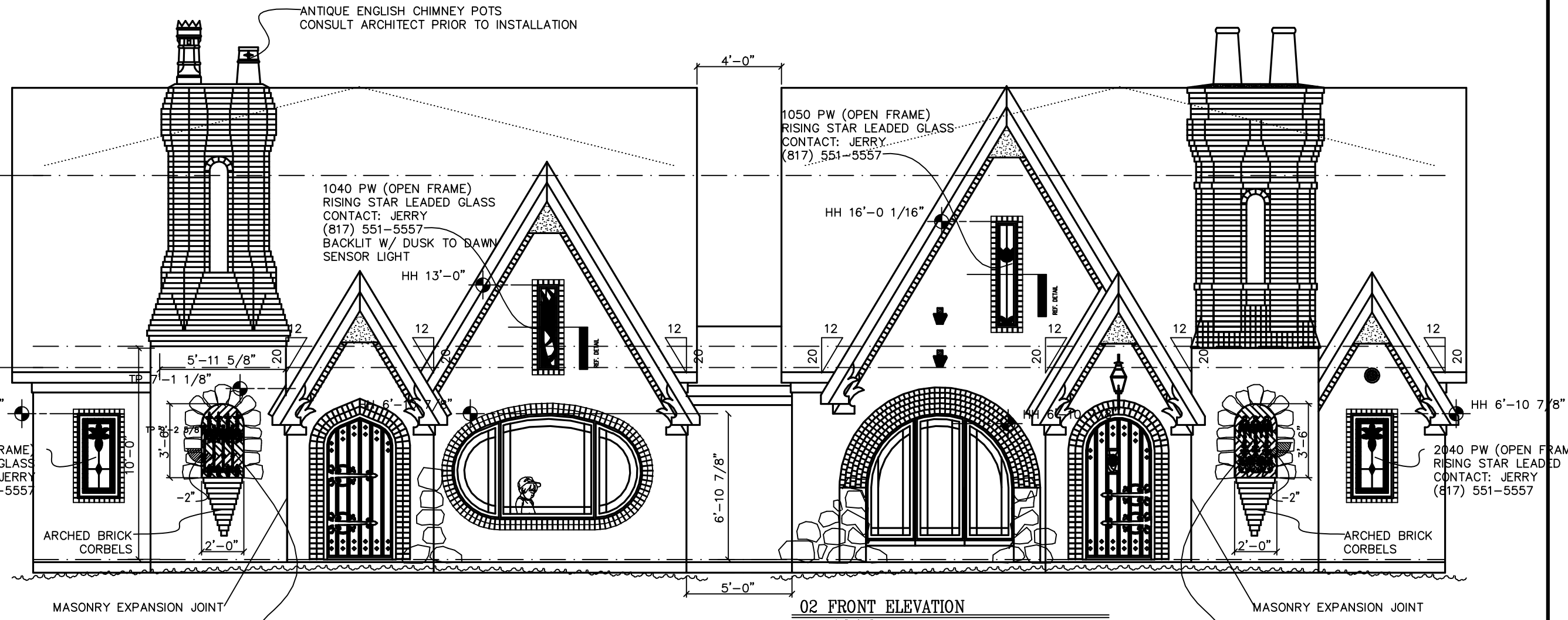
LUSTIG ADDITION
 MCKINNEY TEXAS



JR ROSE
 ARCHITECTURE
 (214) 454-7895 Tel. (972) 420-0324 Fax

SHEET
A1

JR ROSE DEVELOPMENT. The designs represented by these plans are copyrighted and subject to copyright infringement protection under 17 U.S.C. Sect. 102 known as the Architectural Works Protection Act of 1990. Unauthorized use of these plans (including form and arrangement of spaces), data, and other aspects of the design will subject the infringer to damages and/or judicial action as provided by Federal Law.

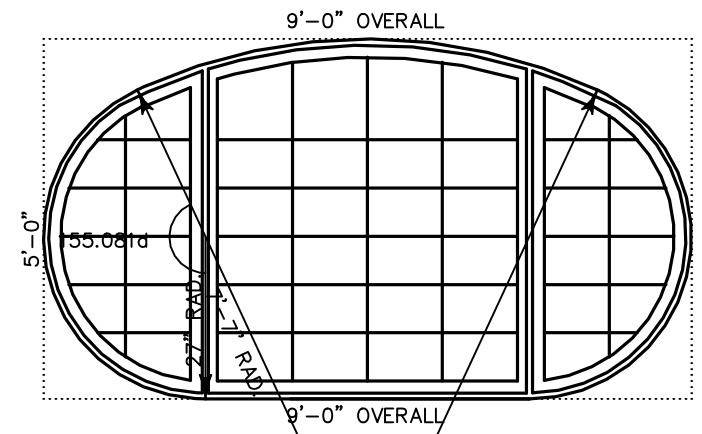


01 FRONT ELEVATION
SCALE 3/16"=1'-0"

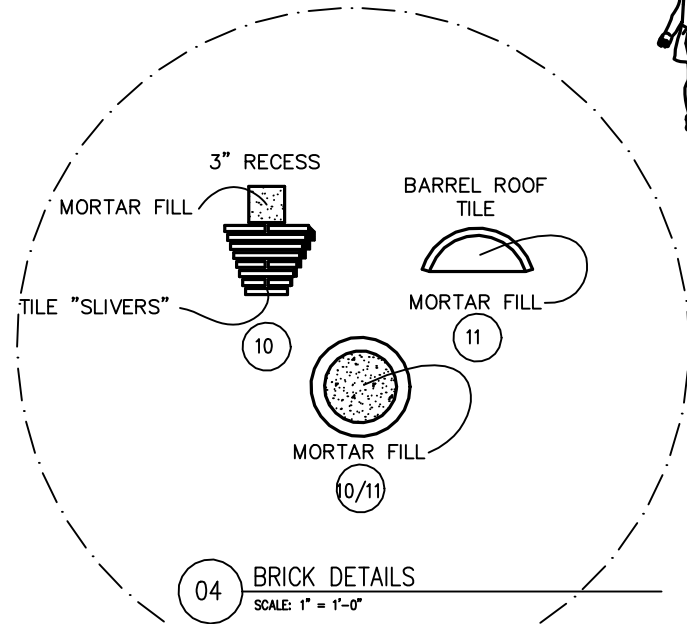
KING ARCHITECTURAL METALS
ITEM #45-84
(800) 542-2379 T.
PAINTED RED

02 FRONT ELEVATION
SCALE 3/16"=1'-0"

KING ARCHITECTURAL METALS
ITEM #45-84 TRIPLE
(800) 542-2379 T.
PAINTED RED



03 SEGMENTAL ARCH WINDOW DETAIL
SCALE: 1" = 1'-0"



04 BRICK DETAILS
SCALE: 1" = 1'-0"



Drawn By:
 Jason R. Rose
 Preparation Date:

 Revisions:

 Notes:

LUSTIG ADDITION
 MCKINNEY TEXAS



1-23-13

JR ROSE
 ARCHITECTURE
 (214) 454-7895 Tel. (972) 420-0324 Fax

RECEIVED
 By Karen McCutcheon at 2:24 pm, Feb 04, 2013



SHEET
A1