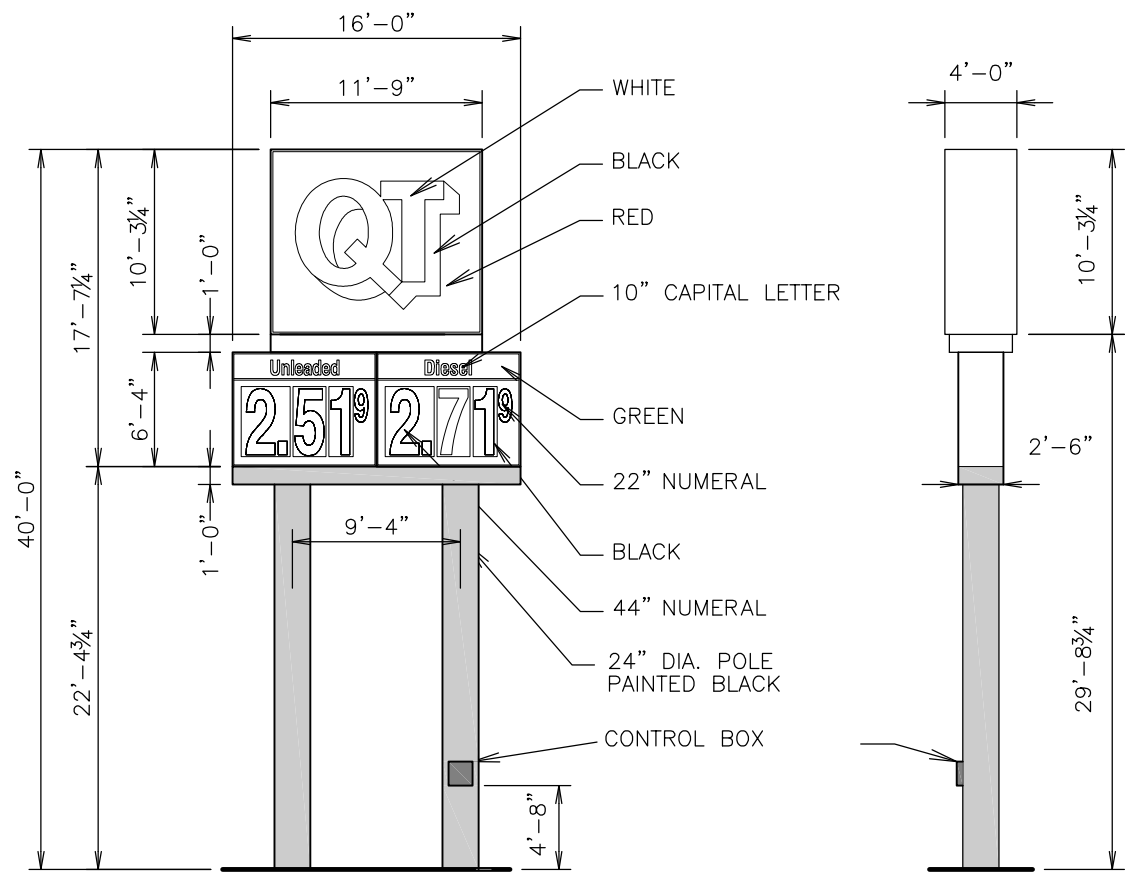


**High Rise Pole Sign**  
**TCHR-12LSSP**

03.20.12



SQUARE FOOTAGE	
TYPEFACE	122
INSIDE CAN	211
ENTIRE SIGN	222

SPECIFICATIONS:	
<b>LOGO</b>	3M Translucent Vinyl Face, 3M Cardinal Red Translucent #3632-53, surface applied graphics.
<b>Pricer</b>	Flat Solar grade, Clear Lexan Face, .177 thickness, painted on 2nd surface, Akzo Noble Black, Scrolling Price Numerals, White Helvetica Condensed font, Unleaded Product Panels, White text area, painted 2nd surface Akzo Nobel Opaque Black, Auto Diesel Product Panels, White text area, painted 2nd surface to match PMS 7481C Translucent Green, Akzo Noble.
<b>LOGO Cabinet/Pricer Cabinet/Base</b>	Aluminum Construction, Internally illuminated with A130 LED Lamp Fixture BXCR9002, A130 Power Supplies BXCR9003. LOGO Cabinet painted Akzo Noble, QT Red SIGN9141 Low Gloss. Pricer Cabinet painted Akzo Noble Black Low Gloss. Accent Trim section painted 1st surface Akzo Noble Silver-Low Gloss.

SCALE:	
3/32" = 1'-0"	
SERIAL NUMBER:	
TCHR-12LSSP	
STORE NUMBER:	
963	