

ORDINANCE NO. 2020-01-___

AN ORDINANCE AMENDING CHAPTER 122, "CONSTRUCTION REGULATIONS," ARTICLE II, "BUILDING CODES," BY AMENDING SECTION 122-25 *INTERNATIONAL BUILDING CODE AND INTERNATIONAL RESIDENTIAL CODE ADOPTED*, SECTION 122-26 *AMENDMENTS TO BUILDING AND RESIDENTIAL CODES*, SECTION 122-30 *INTERNATIONAL MECHANICAL CODE ADOPTED AMENDMENTS*, SECTION 122-31 *INTERNATIONAL PLUMBING CODE ADOPTED*, SECTION 122-32 *AMENDMENTS TO INTERNATIONAL PLUMBING CODE*, SECTION 122-34 *INTERNATIONAL FUEL GAS CODE ADOPTED*, SECTION 122-35 *INTERNATIONAL ENERGY CONSERVATION CODE ADOPTED*, SECTION 122-36 *AMENDMENTS TO ENERGY CONSERVATION CODE*, AND SECTION 122-38 *INTERNATIONAL PROPERTY MAINTENANCE CODE ADOPTED*, AND ADDING SECTION 122-40 *INTERNATIONAL SWIMMING POOL AND SPA CODE ADOPTED*; AND AMENDING CHAPTER 126, "HOUSING," ARTICLE II, "SUBSTANDARD STRUCTURES," BY AMENDING SECTION 126-40 *INTERNATIONAL PROPERTY MAINTENANCE CODE ADOPTED*, FOR THE PURPOSE OF ADOPTING THE 2018 EDITIONS OF SUCH INTERNATIONAL CODES AND BY THE ADOPTION OF LOCAL AMENDMENTS TO SUCH INTERNATIONAL CODES INCLUDING BUT NOT LIMITED TO CERTAIN RECOMMENDATIONS BY THE NORTH CENTRAL TEXAS COUNCIL OF GOVERNMENTS, AND PROVIDING FOR ENFORCEMENT; REPEALING ALL CONFLICTING ORDINANCES; PROVIDING A SAVINGS CLAUSE; PROVIDING A SEVERABILITY CLAUSE; PROVIDING FOR A PENALTY; AND PROVIDING AN EFFECTIVE DATE

WHEREAS, the City of McKinney, Texas (the "City") is a Home Rule City possessing the full power of local self-government pursuant to Article 11, Section 5 of the Texas Constitution, Section 51.072 of the Texas Local Government Code, and the City's Home Rule Charter; and

WHEREAS, the City Council of the City of McKinney, Texas ("City Council"), adopted Ordinance No. 2018-01-001 on January 2, 2018, which adopted the 2015 editions of the: *International Building Code*, *International Residential Code*, *International Mechanical Code*, *International Plumbing Code*, *International Fuel Gas Code*, and *International Energy Conservation Code* and amendments to each of such International Codes, all of which Codes are set forth and codified in Chapter 122 of the Code of Ordinances of the City of McKinney ("City Code"), in addition to the 2015 edition of the *International Property Maintenance Code*, and amendments thereto, which is set forth in Chapters 122 and 126 of the City Code; and

WHEREAS, the *International Building Code*, *International Residential Code*, *International Mechanical Code*, *International Plumbing Code*, *International Fuel Gas Code*, *International Energy Conservation Code*, *International Property Maintenance Code*, and *International Swimming Pool and Spa Code* (collectively the "International Codes") are updated and amended every three years, and the 2018 editions of the International Codes have recently been issued by the International Code Council; and

WHEREAS, a committee of building code professionals works through the North Central Texas Council of Governments ("NCTCOG") to recommend local amendments to these Codes specific to the needs of North Central Texas, and the City of McKinney has consistently adopted these recommended amendments, with some minor modifications, in the past so that most municipalities in the region use the same or similar building code standards; and

WHEREAS, the adoption of the 2018 editions of the International Codes, including the local amendments, will provide the most current life safety applications with respect to construction, occupancy, use and maintenance of buildings and structures in the City of McKinney; and

WHEREAS, the creation of the 2018 International Codes by the International Code Council was in conjunction with the International Conference of Building Officials (“ICBO”), the organization whose codes the City of McKinney has adopted since the 1970’s; and

WHEREAS, the City Council of the City of McKinney, Texas, deems it to be in the best interest of the citizens of the City of McKinney to update its building code standards and adopt the 2018 Editions of the *International Building Code*, *International Residential Code*, *International Mechanical Code*, *International Plumbing Code*, *International Fuel Gas Code*, *International Energy Conservation Code*, *International Property Maintenance Code*, and *International Swimming Pool and Spa Code*, as amended, as the minimum standard for the continued construction, occupancy, use and maintenance of buildings and structures within the City’s corporate limits and extraterritorial as provided by Section 122-4 of the Code of Ordinances, City of McKinney, Texas (“McKinney Code”).

NOW, THEREFORE, BE IT ORDAINED BY THE CITY COUNCIL OF THE CITY OF MCKINNEY, TEXAS, THAT:

Section 1. All of the above premises are found to be true and correct legislative determinations and are incorporated into the body of this Ordinance as if copied in their entirety.

Section 2. From and after the effective date of this Ordinance, Article II, “Building Codes,” of Chapter 122 of the McKinney Code is hereby amended by deleting Section 122-25, “International Building Code and International Residential Code Adopted,” and Section 122-26, “Amendments to Building And Residential Codes,” in their entirety and replacing said sections with a new Section 122-25, titled “International Building Code and International Residential Code Adopted,” and a new Section 122-26, titled “Amendments to Building And Residential Codes,” to read as follows:

“Sec. 122-25. - International Building Code and International Residential Codes adopted.

The City Council hereby adopts the 2018 edition of the *International Building Code* and the 2018 edition of the *International Residential Code together with Appendix Q, thereto, titled “Tiny Houses”* and including all references to the 2018 Edition of the *International Property Maintenance Code*. Copies of the Codes, and the amendments thereto, as referenced in this chapter, are on file in the office of the City Secretary for permanent record and inspection. The Chief Building Official, or his authorized representative, is hereby authorized and directed to enforce all provisions of the *International Building Code* and *International Residential Code*, as adopted herein and as amended.

Sec. 122-26. - Amendments to building and residential codes.

(a) The City Council hereby adopts the Recommended Amendments to the 2018 Edition of the *International Building Code* prepared by the North Central Texas Council of Governments, dated September 2018, which NCTCOG Amendments are attached hereto as Attachment A. The 2018 Edition of the *International Building Code* shall be further modified as follows:

(1) Section 101.1 is hereby revised to read as follows:

“[A] 101.1 Title.

These regulations shall be known as the *Building Code* of the **CITY OF MCKINNEY, TEXAS**, hereinafter referred to as “this Code.””

- (2) Section 101.2 is hereby amended by amending the “Exception” thereto adding a new exception, revising the heading to be plural and numbering the exceptions to hereafter read as follows:

“Exceptions:

1. Detached one- and two-family *dwellings* and *townhouses* not more than three *stories above grade plane* in height with a separate *means of egress*, and their accessory structures not more than three *stories above grade plane* in height, shall comply with this Code or the *International Residential Code*.

2. The chapters and sections of the 2018 edition of the *International Fire Code* set out in the following table will take precedence over the chapters and sections of this Code regarding hazardous materials, fire-resistance-rated construction, interior finish, fire protection systems, means of egress, emergency and standby power, and temporary structures that are directly correlated with the requirements of the *International Fire Code*, as described below:

IBC Chapter/Section	IFC Chapter/Section	Subject
Sections 307, 414, 415	Chapters 50-67	Hazardous materials and Group H requirements
Chapter 7	Chapter 7	Fire-resistance-rated construction (Fire and smoke protection features in the IFC)
Chapter 8	Chapter 8	Interior finish, decorative materials and furnishings
Chapter 9	Chapter 9	Fire protection systems
Chapter 10	Chapter 10	Means of egress
Chapter 27	Section 604	Standby and emergency power
Section 3103	Chapter 31	Temporary structures”

- (3) Section 101.4.7 is hereby revised to read as follows:

[A] 101.4.7 Existing buildings. The provisions of the *International Existing Building Code* may be used to apply to matters governing the repair, alteration, change of occupancy, addition to and relocation of existing buildings, if approved by the Building Official and the Fire Official.

- (4) Section 103.1 is hereby revised to read as follows:

[A] 103.1 Creation of enforcement agency. The BUILDING INSPECTIONS/PERMITS DEPARTMENT OF THE CITY OF MCKINNEY, TEXAS is hereby created and the official in charge thereof shall be known as the *Chief Building Official*.

- (5) Section 903.2 of the building code shall exclude single-family residential structures; and

- (6) Option B is hereby adopted as set forth in attachment A.

- (b) The City Council hereby adopts the Recommended Amendments to the 2018 Edition of the *International Residential Code* prepared by the North Central Texas Council of Governments, dated September 2018, ("NCTCOG Amendments") which NCTCOG Amendments are attached hereto as attachment B.

- (c) Chapters 34 through 41 of the 2018 *International Residential Code* are hereby deleted, and replaced with the 2017 *National Electrical Code*.

- (d) The *International Residential Code* shall be further modified as follows:

- (1) Section R101.1 is hereby revised to read as follows:

R101.1 Title.

These provisions shall be known as the *Residential Code for One- and Two-Family Dwellings* of the CITY OF MCKINNEY, TEXAS, and shall be cited as such and will be referred to herein as "this Code."

- (2) Section R103.1 is hereby revised to read as follows:

R103.1 Creation of enforcement agency. The BUILDING INSPECTIONS/PERMITS DEPARTMENT OF THE CITY OF MCKINNEY, TEXAS is hereby created and the official in charge thereof shall be known as the Chief Building Official.

- (3) Section R105.2 is hereby amended by revising Paragraph 1 under the heading "Building," thereof, to read as follows:

1. One-story detached accessory structures, provided that the floor area does not exceed 120 square feet (11.1484 m²).

Section 3. From and after the effective date of this Ordinance, Article II, "Building Codes," of Chapter 122 of the McKinney Code is hereby amended by deleting Section 122-30, "*International Mechanical Code Adopted; Amendments*," in its entirety and replacing said section with a new Section 122-30, entitled "*International Mechanical Code Adopted; Amendments*," to read as follows:

"Sec. 122-30. - *International Mechanical Code* adopted; amendments.

The City Council hereby adopts the 2018 edition of the *International Mechanical Code*. The City Council further adopts the Recommended Amendments to the 2018 Edition of the *International Mechanical Code* prepared by the North Central Texas Council of Governments, dated September 2018, which NCTCOG Amendments are attached hereto as attachment C. The Chief Building Official or his authorized representative is hereby authorized and directed to enforce all provisions of the *International Mechanical Code*, as adopted herein and as amended. *The International Mechanical Code* shall be further modified as follows:

- (1) Section 101.1 is hereby revised to read as follows:

[A] 101.1 Title.

These regulations shall be known as the *Mechanical Code* of the CITY OF MCKINNEY, TEXAS, hereinafter referred to as "this Code."

- (2) Section 103.1 is hereby revised to read as follows:

[A] 103.1 Creation of enforcement agency. The BUILDING INSPECTIONS/PERMITS DEPARTMENT OF THE CITY OF MCKINNEY, TEXAS is hereby created and the official in charge thereof shall be known as the Chief Building Official."

Section 4. From and after the effective date of this Ordinance, Article II, "Building Codes," of Chapter 122 of the McKinney Code is hereby amended by deleting Section 122-31, "*International Plumbing Code Adopted*," and Section 122-32, "*Amendments to Plumbing Code*," in their entirety and replacing said sections with a new Section 122-31, "*International Plumbing Code Adopted*," and a new Section 122-32, "*Amendments to International Plumbing Code*," to read as follows:

"Sec. 122-31. - *International Plumbing Code* adopted.

The City Council hereby adopts the 2018 edition of the *International Plumbing Code*. Copies of the code and the amendments thereto, as referenced in this chapter, are on file in the office of the City Secretary for permanent record and inspection. The Chief Building Official or his authorized representative is hereby authorized and directed to enforce all provisions of the *International Plumbing Code*, as adopted herein and as amended.

Sec. 122-32. - Amendments to *International Plumbing Code*.

The City Council further adopts the Recommended Amendments to the 2018 Edition of the *International Plumbing Code* prepared by the North Central Texas Council of Governments, dated September 2018, which NCTCOG Amendments are attached hereto as Attachment D. The International Plumbing Code shall be further amended as follows:

- (1) Section 101.1 is hereby revised to read as follows:

[A] 101.1 Title.

These regulations shall be known as the *Plumbing Code* of the CITY OF MCKINNEY, TEXAS, hereinafter referred to as “this Code.”

- (2) Section 103.1 is hereby revised to read as follows:

[A] 103.1 Creation of enforcement agency.

The BUILDING INSPECTIONS/PERMITS DEPARTMENT OF THE CITY OF MCKINNEY, TEXAS is hereby created and the official in charge thereof shall be known as the Chief Building Official.

- (3) Section 312.10.1, “Inspections” is hereby amended to read as follows:

312.10.1 Inspections. Annual inspections shall be made of all backflow prevention assemblies and air gaps to determine whether they are operable. In the absence of local provisions, the owner is responsible to ensure that testing is performed.

- (2) Section 312.10.2, “Testing” is hereby amended to read as follows:

312.10.2 Testing. Reduced pressure principle backflow preventer assemblies, double check-valve assemblies, pressure vacuum breaker assemblies, reduced pressure detector fire protection backflow prevention assemblies, double check detector fire protection backflow prevention assemblies, hose connection backflow preventers, and spill-proof vacuum breakers shall be tested at the time of installation, immediately after repairs or relocation and at least annually. The testing procedure shall be performed in accordance with applicable local provisions. In the absence of local provisions, the owner is responsible to ensure that testing is done in accordance with one of the following standards: *[rest to remain the same....]*”

Section 5. From and after the effective date of this Ordinance, Article II, “Building Codes,” of Chapter 122 of the McKinney Code is hereby amended by

deleting Section 122-34, “*International Fuel Gas Code Adopted*,” in its entirety and replacing said section with a new Section 122-34, Entitled “*International Fuel Gas Code Adopted*,” to read as follows:

“Sec. 122-34. - *International Fuel Gas Code adopted.*

The City Council hereby adopts the 2018 Edition of the *International Fuel Gas Code*. The City Council further adopts the Recommended Amendments to the 2018 Edition of the *International Fuel Gas Code* prepared by the North Central Texas Council of Governments, dated September 2018, which NCTCOG Amendments are attached hereto as Attachment E. The Chief Building Official, or his authorized representative, is hereby authorized and directed to enforce all provisions of the *International Fuel Gas Code*, as adopted herein and as amended. In addition, all gas piping shall comply with the provisions of NFPA 54, National Fuel Gas Code, 2018 Edition, as amended.”

Section 6. From and after the effective date of this Ordinance, Article II, “Building Codes,” of Chapter 122 of the McKinney Code is hereby amended by deleting Section 122-35, “*International Energy Conservation Code Adopted*,” and Section 122-36, “Amendments to Energy Conservation Code,” in their entirety and replacing said sections with a new Section 122-35, “*International Energy Conservation Code Adopted*,” and a new Section 122-36, “Amendments to *International Energy Conservation Code*,” to read as follows:

“Sec. 122-35. - *International Energy Conservation Code adopted.*

The City Council hereby adopts the 2018 edition of the *International Energy Conservation Code*. Copies of the code and the amendments thereto, as referenced in this chapter, are on file in the office of the City Secretary for permanent record and inspection. The Chief Building Official, or his authorized representative, is hereby authorized and directed to enforce all provisions of the *International Energy Conservation Code*, as adopted herein and as amended.

Sec. 122-36. - Amendments to *International Energy Conservation Code.*

The City Council hereby adopts the Recommended Amendments to the 2018 Edition of the *International Energy Conservation Code* prepared by the North Central Texas Council of Governments, dated September 2018, which NCTCOG Amendments are attached hereto as attachment F. The amendments are intended to comply with Texas Building Energy Efficiency Performance Standards, Texas Health and Safety Code, Section 388.003, as amended. The *International Energy Conservation Code* shall be further amended as follows:

(1) Section 101.1 is hereby revised to read as follows:

C101.1 Title.

These regulations shall be known as the *Energy Conservation Code* of the CITY OF MCKINNEY, TEXAS, and shall be cited as such. It is referred to herein as “this Code.””

Section 7. From and after the effective date of this Ordinance, Article II, “Building Codes,” of Chapter 122 of the McKinney Code is hereby amended by

deleting Section 122-38, "*International Property Maintenance Code Adopted*," in its entirety and replacing said section with a new Section 122-38, "*International Property Maintenance Code Adopted*," to read as follows:

"Sec. 122-38. - *International Property Maintenance Code adopted.*

The City Council hereby adopts the 2018 Edition of the *International Property Maintenance Code* 126-40e, and amendments thereto as enumerated in section 122-39. The Chief Building Official, or his authorized representative, is hereby authorized and directed to enforce all provisions of the *International Property Maintenance Code*, as adopted herein and as amended."

- Section 8. From and after the effective date of this Ordinance, Article II, "Building Codes," of Chapter 122 of the McKinney Code is hereby amended by adding a new Section 122-40, Entitled "*International Swimming Pool and Spa Code Adopted*," to read as follows:

"Sec. 122-40. - *International Swimming Pool and Spa Code adopted.*

The City Council hereby adopts the 2018 Edition of the *International Swimming Pool and Spa Code*. The City Council further adopts the Recommended Amendments to the 2018 Edition of the *International Swimming Pool and Spa Code* prepared by the North Central Texas Council of Governments, dated September 2018, which NCTCOG Amendments are attached hereto as Attachment G. The Chief Building Official, or his authorized representative, is hereby authorized and directed to enforce all provisions of the *International Swimming Pool and Spa Code*, as adopted herein and as amended."

- Section 9. From and after the effective date of this Ordinance, Article II, "Substandard Structures," of Chapter 126 of the McKinney Code is hereby amended by deleting Section 126-40, "*International Property Maintenance Code Adopted*," in its entirety and replacing said section with a new Section 126-40, "*International Property Maintenance Code Adopted*," to read as follows:

"Sec. 126-40 - *International Property Maintenance Code adopted.*

The City Council hereby adopts the 2018 edition of the *International Property Maintenance Code*, and amendments thereto, as enumerated in section 122-39 of this city code."

- Section 10. Except as provided in this Ordinance, all ordinances, orders or resolutions heretofore passed and adopted by the City Council of the City of McKinney, Texas, are hereby repealed to the extent that said ordinances, orders or resolutions, or parts thereof, are in conflict herewith.

- Section 11. If any section, subsection, paragraph, sentence, clause, phrase or word of this Ordinance, or the application thereof to any person or circumstance, shall to any extent be held invalid, void or unconstitutional by a court of competent jurisdiction, such holding shall not affect the validity of the remaining portions of this Ordinance, and the City Council hereby declares that it would have passed such remaining portions of this Ordinance despite such invalidity, which remaining portions shall remain in full force and effect.

- Section 12. Any person, firm, partnership, corporation or association violating any provision of this Ordinance or of any code adopted herein shall be deemed guilty of a misdemeanor and, upon conviction thereof, shall be fined in the sum of not more than \$2,000.00, and each day such violation continues shall constitute a separate and distinct violation.

Section 13. This Ordinance shall take effect and be in full force from and after its passage and publication, as provided by the Revised Civil Statutes of the State of Texas and the Home Rule Charter of the City of McKinney, Texas.

DULY PASSED AND APPROVED BY THE CITY COUNCIL OF THE CITY OF MCKINNEY, TEXAS, ON THIS ____ DAY OF _____, 20__.

GEORGE C. FULLER
Mayor

CORRECTLY ENROLLED:

EMPRESS DRANE
City Secretary
LISA SEWELL
Deputy City Secretary

DATE: _____

APPROVED AS TO FORM:

MARK S. HOUSER
City Attorney

Attachment A



North Central Texas
Council of Governments

Recommended Amendments to the 2018 International Building Code North Central Texas Council of Governments Region

The following sections, paragraphs, and sentences of the *2018 International Building Code* are hereby amended as follows: Standard type is text from the IBC. Underlined type is text inserted. ~~Lined through type is deleted text from IBC.~~ A double asterisk (**) at the beginning of a section identifies an amendment carried over from the 2015 edition of the code and a triple asterisk (***) identifies a new or revised amendment with the 2018 code.

Explanation of Options A and B:

Please note that as there is a wide range in firefighting philosophies / capabilities of cities across the region, OPTION "A" and OPTION "B" are provided in the Fire and Building Code amendments. Jurisdictions should choose one or the other based on their firefighting philosophies / capabilities when adopting code amendments.

****Section 101.4; change to read as follows:**

101.4 Referenced codes. The other codes listed in Sections 101.4.1 through 101.4.8 and referenced elsewhere in this code, when specifically adopted, shall be considered part of the requirements of this code to the prescribed extent of each such reference. Whenever amendments have been adopted to the referenced codes and standards, each reference to said code and standard shall be considered to reference the amendments as well. Any reference to NFPA 70 or the Electrical Code shall mean the Electrical Code as adopted.

(Reason: Legal wording to recognize locally adopted codes and amendments adopted with referenced codes. The former ICC Electrical Code is now Appendix K of this code but no longer called by that name.)

****Section 101.4.8; add the following:**

101.4.8 Electrical. The provisions of the Electrical Code shall apply to the installation of electrical systems, including alterations, repairs, replacement, equipment, appliances, fixtures, fittings and appurtenances thereto.

(Reason: This was dropped when ICC quit publishing the ICC Electrical Code, but the Electrical Code still should be referenced regardless of how it is adopted.)

**** Section 103 and 103.1; amend to insert the Department Name**

DEPARTMENT OF BUILDING SAFETY [INSERT OFFICIAL BUILDING DEPARTMENT NAME OF JURISDICTION]

103.1 Creation of enforcement agency. ~~The Department of Building Safety~~ [INSERT OFFICIAL BUILDING DEPARTMENT NAME OF JURISDICTION] is hereby created and the official in charge thereof shall be known as the *building official*.

(Reason: Reminder to be sure ordinance reads the same as designated by the city.)

*****Section [A] 104.2.1 Determination of substantially improved or substantially damaged existing buildings and structures in flood hazard areas.** *(Jurisdictions may consider the option to amend or delete depending on local enforcement and flood hazard ordinances.)*

(Reason: Flood hazard ordinances may be administered by other departments within the city.)

****Section 104.10.1; Flood hazard areas.** *(Jurisdictions may consider the option to amend or delete depending on local enforcement and flood hazard ordinances.)*

(Reason: Flood hazard ordinances may be administered by other departments within the city.)

****Section 105.2 Work exempt from permit; under sub-title entitled "Building" delete items 1, 2, 10 and 11 and re-number as follows:**

Building:

- ~~1. One-story detached accessory structures used as tool and storage sheds, playhouses and similar uses, provided the floor area does not exceed 120 square feet (11 m²).~~
- ~~2. Fences not over 7 feet (1829 mm) high.~~
- ~~3. 1. (Remainder Unchanged)~~

- 4- 2. (Remainder Unchanged)
- 5- 3. (Remainder Unchanged)
- 6- 4. (Remainder Unchanged)
- 7- 5. (Remainder Unchanged)
- 8- 6. (Remainder Unchanged)
- 9- 7. (Remainder Unchanged)
- 10- ~~Shade cloth structures constructed for nursery or agricultural purposes, not including service systems.~~
- 11- 8. (Remainder Unchanged)
- 12- 9. (Remainder Unchanged)
- 13- 10. (Remainder Unchanged)

(Reason: Items deleted are for one- and two-family dwellings regulated by the International Residential Code. Accessory structures, fences and shade cloth structures would require a permit for commercial properties to ensure compliance with local ordinance, egress, accessibility, flame spread of fabric, wind/snow design load, etc.)

****Section 109; add Section 109.7 to read as follows:**

109.7 Re-inspection Fee. A fee as established by city council resolution may be charged when:

1. The inspection called for is not ready when the inspector arrives;
2. No building address or permit card is clearly posted;
3. City approved plans are not on the job site available to the inspector;
4. The building is locked or work otherwise not available for inspection when called;
5. The job site is red-tagged twice for the same item;
6. The original red tag has been removed from the job site.
7. Failure to maintain erosion control, trash control or tree protection.

Any re-inspection fees assessed shall be paid before any more inspections are made on that job site.

(Reason: This fee is not a fine or penalty but is designed to compensate for time and trips when inspections are called for when not ready.)

****Section 109; add Section 109.8, 109.8.1, 109.8.2 and 109.9 to read as follows:**

109.8 Work without a permit.

109.8.1 Investigation. Whenever work for which a permit is required by this code has been commenced without first obtaining a permit, a special investigation shall be made before a permit may be issued for such work.

109.8.2 Fee. An investigation fee, in addition to the permit fee, shall be collected whether or not a permit is subsequently issued. The investigation fee shall be equal to the amount of the permit fee required by this code or the city fee schedule as applicable. The payment of such investigation fee shall not exempt the applicant from compliance with all other provisions of either this code or the technical codes nor from penalty prescribed by law.

109.9 Unauthorized cover up fee. Any work concealed without first obtaining the required inspection in violation of Section 110 shall be assessed a fee as established by the city fee schedule.

(Reason: This fee is not a fine or penalty but is designed to compensate for time and to remove incentive to attempt to evade permits and code compliance. Text taken from former Uniform Administrative Code.)

*****Section 110.3.5; Lath, gypsum board and gypsum panel product inspection; Delete exception**

~~Exception:~~ ~~Gypsum board and gypsum panel products that are not part of a fire resistance rated assembly or a shear assembly.~~

(Reason: Lath or gypsum board inspections are not typically performed in this area.)

*****Section 202; amend definition of Ambulatory Care Facility as follows:**

AMBULATORY CARE FACILITY. Buildings or portions thereof used to provide medical, surgical, psychiatric, nursing or similar care on a less than 24-hour basis to individuals who are rendered incapable of self-preservation by the services provided ~~or staff has accepted responsibility for care recipients already incapable.~~ This group may include but not be limited to the following:

- Dialysis centers
- Sedation dentistry
- Surgery centers
- Colonic centers
- Psychiatric centers

(Reason: To clarify the range of uses included in the definition. [Explanatory note related to **Ambulatory Care Facilities**: This group of uses includes medical or dental offices where persons are put under for dental surgery or other services. Section 903.2.2 will now require such uses to be sprinklered if on other than the floor of exit discharge or if four or more persons are put under on the level of exit discharge. Recommend (1.) jurisdictions document any pre-existing non-conforming conditions prior to issuing a new C of O for a change of tenant and, (2.) On any medical or dental office specify on C of O the maximum number of persons permitted to be put under general anesthesia. It is recommended that before a Certificate of Occupancy is issued, a letter of intended use from the business owner shall be included and a C of O documenting the maximum number of care recipients incapable of self-preservation allowed.)

****Section 202; add definition of Assisting Living Facilities to read as follows.**

ASSISTED LIVING FACILITIES. A building or part thereof housing persons, on a 24-hour basis, who because of age, mental disability or other reasons, live in a supervised residential environment which provides personal care services. The occupants are capable of responding to an emergency situation without physical assistance from staff.

(Reason: The code references Assisted Living facilities and definition was deleted.)

****Section 202; change definition of "Atrium" as follows:**

ATRIUM. An opening connecting ~~two~~ three or more stories... {Balance remains unchanged}

(Reason: Accepted practice in the region based on legacy codes. Section 1019 permits unenclosed two-story stairways under certain circumstances.)

*****Section 202; add-amend definition of "Repair Garage" as follows:**

REPAIR GARAGE. A building, structure or portion thereof used for servicing or repairing motor vehicles. This occupancy shall also include garages involved in minor repair, modification and servicing of motor vehicles for items such as lube changes, inspections, windshield repair or replacement, shocks, minor part replacement and other such minor repairs.

(Reason: The code references align with fire code.)

****Section 202; amend definition of SPECIAL INSPECTOR to read as follows:**

SPECIAL INSPECTOR. A qualified person employed or retained by an approved agency who shall prove to the satisfaction of the registered design professional in responsible charge and approved by the Building Official as having the competence necessary to inspect a particular type of construction requiring special inspection.

(Reason: The registered design professional in responsible charge should be included.)

Option A

****Section 202; {No amendment necessary}**

Option B

****Section 202; amend definition to read as follows:**

HIGH-RISE BUILDING. A building with an occupied floor located more than ~~75~~ 55 feet (~~22 860 mm~~) (16 764 mm) above the lowest level of fire department vehicle access.

(Reason: To define high-rise, as it influences sprinkler requirement thresholds based on the firefighting capabilities of a jurisdiction.)

*****Section 303.1.3; add a sentence to read as follows:**

303.1.3 Associated with Group E occupancies. A room or space used for assembly purposes that is associated with a Group E occupancy is not considered a separate occupancy, except when applying the assembly requirements of Chapters 10 and 11.

(Reason: To clarify that egress and accessibility requirements are applicable for assembly areas, i.e. cafeteria, auditoriums, etc.)

****Section 304.1; add the following to the list of occupancies:**

Fire stations

Police stations with detention facilities for 5 or less

(Reason: Consistent with regional practice dating back to the legacy codes.)

[Remainder of page intentionally left blank.]

****Section 307.1.1; add the following sentence to Exception 4:**

4. Cleaning establishments... {Text unchanged} ...with Section 707 or 1-hour horizontal assemblies constructed in accordance with Section 711 or both. See also IFC Chapter 21, Dry Cleaning Plant provisions.

(Reason: To call attention to detailed requirements in the Fire Code.)

****Section 403.1, Exception 3; change to read as follows:**

3. The open-air portion of a building [remainder unchanged]

(Reason: To clarify enclosed portions are not exempt.)

****Section 403.3, Exception; delete item 2.**

(Reason: To provide adequate fire protection to enclosed areas.)

****Section 403.3.2; change to read as follows:**

[F] 403.3.2 Water supply to required fire pumps. In buildings that are more than ~~420~~ 120 feet (36.5 m) in building height, required fire pumps shall be supplied by connections to no fewer than two water mains located in different streets. Separate supply piping shall be provided between each connection to the water main and the pumps. Each connection and the supply piping between the connection and the pumps shall be sized to supply the flow and pressure required for the pumps to operate.

Exception: {No change to exception.}

(Reason: The 2009 edition of the IFC added this requirement based on a need for redundancy of the water supply similar to the redundancy of the power supply to the fire pumps required for such tall buildings, partially due to the fact that these buildings are rarely fully evacuated in a fire event. More commonly, the alarm activates on the floor of the event, the floor above and the floor below. Back-up power to the fire pump becomes critical for this reason. Certainly, the power is pointless if the water supply is impaired for any reason, so a similar requirement is provided here for redundant water supplies. The 2015 edition changed the requirement to only apply to very tall buildings over 420 ft. This amendment modifies/lowers the requirement to 120 ft., based on this same height requirement for fire service access elevators. Again, the language from the 2009 and 2012 editions of the code applied to any high-rise building. This compromise at 120 ft. is based on the above technical justification of defend-in-place scenarios in fire incidents in such tall structures.)

****Section 404.5; delete Exception.**

(Reason: Consistent with amended atrium definition.)

****Section 406.3.3.1 Carport separation; add sentence to read as follows:**

A fire separation is not required between a Group R-2 and U carport provided that the carport is entirely open on all sides and that the distance between the two is at least 10 feet (3048 mm).

(Reason: Simplifies the fire separation distance and eliminates the need to obtain opening information on existing buildings when adding carports in existing apartment complexes. Consistent with legacy codes in effect in region for years and no record of problems with car fires spreading to apartments as a result.)

*****Table 506.2; delete sentence from table**

~~I. The maximum allowable area for a single-story non-sprinklered Group U greenhouse is permitted to be 9000 square feet or the allowable area shall be permitted to comply with Table C102.1 of Appendix C.~~

(Reason: To eliminate the need for Appendix C adoption and remain consistent with 6000 sq. ft. sprinkling provision.)

****Section 506.3.1; add sentence to read as follows:**

506.3.1 Minimum percentage of perimeter. [Existing Text remains]

In order to be considered as accessible, if not in direct contact with a street or fire lane, a minimum 10-foot wide pathway meeting fire department access from the street or approved fire lane shall be provided.

(Reason: To define what is considered accessible. Consistent with regional amendment to IFC 504.1.)

*****Section 602.1.1; add sentence to read as follows:**

602.1.1 Minimum Requirements. [Existing Text to remain]

Where a building contains more than one distinct type of construction, the building shall comply with the most restrictive area, height, and stories, for the lesser type of construction or be separated by fire walls.

(Reason: To create definite language that requires separation between dissimilar building types.)

*****Section 708.4.2; change sentence to read as follows:**

708.4.2 Fireblocks and draftstops in combustible construction. [Body of text unchanged]

Exceptions:

1. Buildings equipped with an automatic sprinkler system installed throughout in accordance with Section 903.3.1.1, or in accordance with Section 903.3.1.2 provided that sprinkler protection is provided in the space between the top of the fire partition and the underside of the floor or roof sheathing, deck or slab above as required for systems complying with Section 903.3.1.1. Portions of buildings containing concealed spaces filled with noncombustible insulation as permitted for sprinkler omission shall not apply to this exception for draftstopping. [Remainder unchanged]

Reason: (The most common exception used to eliminate the need for sprinklers in concealed spaces of combustible construction is to fill the space with noncombustible insulation. This exception was changed in 2010 to permit a 2-inch air gap at the top of the filled space. A space compliant with the permitted omission above would allow hot gas and smoke to spread unimpeded throughout a building not provided with draftstopping. For this reason, omission of sprinklers permitted in accordance with NFPA 13 referenced standard should not be permitted with IBC exception requiring draftstopping in combustible construction.)

*****Section 718.3; change sentence to read as follows:**

718.3 Draftstopping in floors. [Body of text unchanged]

Exceptions: Buildings equipped throughout with an automatic sprinkler system in accordance with Section 903.3.1.1. and provided that in combustible construction, sprinkler protection is provided in the floor space.

(Reason: To remain consistent with changes in 708.4.2 code.)

*****Section 718.4; change sentence to read as follows:**

718.4 Draftstopping in attics. [Body of text unchanged]

Exceptions: Buildings equipped throughout with an automatic sprinkler system in accordance with Section 903.3.1.1 and provided that in combustible construction, sprinkler protection is provided in the attic space.

(Reason: To remain consistent with changes in 708.4.2 code.)

****Section 901.6.1; add Section 901.6.1.1 to read as follows:**

901.6.1.1 Standpipe Testing. Building owners/managers must maintain and test standpipe systems as per NFPA 25 requirements. The following additional requirements shall be applied to the testing that is required every 5 years:

1. The piping between the Fire Department Connection (FDC) and the standpipe shall be backflushed or inspected by approved camera when foreign material is present or when caps are missing, and also hydrostatically tested for all FDC's on any type of standpipe system. Hydrostatic testing shall also be conducted in accordance with NFPA 25 requirements for the different types of standpipe systems.
2. For any manual (dry or wet) standpipe system not having an automatic water supply capable of flowing water through the standpipe, the tester shall connect hose from a fire hydrant or portable pumping system (as approved by the fire code official) to each FDC, and flow water through the standpipe system to the roof outlet to verify that each inlet connection functions properly. Confirm that there are no open hose valves prior to introducing water into a dry standpipe. There is no required pressure criteria at the outlet. Verify that check valves function properly and that there are no closed control valves on the system.
3. Any pressure relief, reducing, or control valves shall be tested in accordance with the requirements of NFPA 25. All hose valves shall be exercised.
4. If the FDC is not already provided with approved caps, the contractor shall install such caps for all FDC's as required by the fire code official.
5. Upon successful completion of standpipe test, place a blue tag (as per Texas Administrative Code, Fire Sprinkler Rules for Inspection, Test and Maintenance Service (ITM) Tag) at the bottom of each standpipe riser in the building. The tag shall be check-marked as "Fifth Year" for Type of ITM, and the note on the back of the tag shall read "5 Year Standpipe Test" at a minimum.
6. The procedures required by Texas Administrative Code Fire Sprinkler Rules with regard to Yellow Tags and Red Tags or any deficiencies noted during the testing, including the required notification of the local Authority Having Jurisdiction (fire code official) shall be followed.
7. Additionally, records of the testing shall be maintained by the owner and contractor, if applicable, as required by the State Rules mentioned above and NFPA 25.

8. Standpipe system tests where water will be flowed external to the building shall not be conducted during freezing conditions or during the day prior to expected night time freezing conditions.
9. Contact the fire code official for requests to remove existing fire hose from Class II and III standpipe systems where employees are not trained in the utilization of this firefighting equipment. All standpipe hose valves must remain in place and be provided with an approved cap and chain when approval is given to remove hose by the fire code official.

(Reason: Increases the reliability of the fire protection system and re-emphasizes the requirements of NFPA 25 relative to standpipe systems, as well as ensuring that FDC connections are similarly tested/maintained to ensure operation in an emergency incident.)

****Section 903.1.1; change to read as follows:**

903.1.1 Alternative Protection. Alternative automatic fire-extinguishing systems complying with Section 904 shall be permitted ~~instead of~~ in addition to automatic sprinkler protection where recognized by the applicable standard ~~and, or as~~ approved by the fire code official.

(Reason: Such alternative systems do not provide the reliability of automatic sprinkler protection. Most gaseous type systems are highly susceptible to open doors, ceiling or floor tile removal, etc. However, an applicant could pursue an Alternate Method request to help mitigate the reliability issues with these alternative systems with the fire code official if so desired, or there may be circumstances in which the fire code official is acceptable to allowing an alternate system in lieu of sprinklers, such as kitchen hoods or paint booths.)

****Section 903.2; add paragraph to read as follows and delete the exception:**

Automatic Sprinklers shall not be installed in elevator machine rooms, elevator machine spaces, and elevator hoistways, other than pits where such sprinklers would not necessitate shunt trip requirements under any circumstances. Storage shall not be allowed within the elevator machine room. Signage shall be provided at the entry doors to the elevator machine room indicating "ELEVATOR MACHINERY – NO STORAGE ALLOWED."

(Reason: Firefighter and public safety. This amendment eliminates the shunt trip requirement of the International Building Code Section 3005.5 for the purpose of elevator passenger and firefighter safety. This amendment is contingent on the Building Code amendment eliminating the Exceptions to Section 3005.4, such that passive fire barriers for these areas are maintained. The exception deletion is due to the fact that such telecom areas pose an undue fire risk to the structural integrity of the building.)

****Section 903.2.9; add Section 903.2.9.3 to read as follows:**

903.2.9.3 Self-Service Storage Facility. An automatic sprinkler system shall be installed throughout all self-service storage facilities.

(Reason: Fire departments are unable to inspect these commercial occupancies and are unaware of the contents being stored. Previous allowance to separate units by fire barriers is difficult to enforce maintenance after opening.)

****Option A**

Section 903.2.11; change 903.2.11.3 and add 903.2.11.7 and 903.2.11.8, as follows:

903.2.11.3 Buildings 55 Feet or more in Height. An automatic sprinkler system shall be installed throughout buildings that have one or more stories ~~with an occupant load of 30 or more, other than~~ penthouses in compliance with Section 1510 of the International Building Code, located 55 feet (16 764 mm) or more above the lowest level of fire department vehicle access, measured to the finished floor.

Exceptions:

1. Open parking structures in compliance with Section 406.5 of the International Building Code, having no other occupancies above the subject garage.

2. _____ Occupancies _____ in _____ Group _____ F-2.

903.2.11.7 High-Piled Combustible Storage. For any building with a clear height exceeding 12 feet (4572 mm), see Chapter 32 to determine if those provisions apply.

903.2.11.8 Spray Booths and Rooms. New and existing spray booths and spraying rooms shall be protected by an approved automatic fire-extinguishing system.

[Remainder of page intentionally left blank.]

****Option B**

Section 903.2.11; change 903.2.11.3 and add 903.2.11.7, 903.2.11.8, and 903.2.11.9 as follows:

903.2.11.3 Buildings 55 35 feet or more in height. An automatic sprinkler system shall be installed throughout buildings that have one or more stories ~~with an occupant load of 30 or more, other than penthouses in compliance with Section 1510 of the *International Building Code*, located 55 35 feet (46 764 10 668 mm)~~ or more above the lowest level of fire department vehicle access, measured to the finished floor.

Exceptions:

1. ~~Open parking structures in compliance with Section 406.5 of the *International Building Code*, having no other occupancies above the subject garage.~~
2. ~~Occupancies in Group F-2.~~

903.2.11.7 High-Piled Combustible Storage. For any building with a clear height exceeding 12 feet (4572 mm), see Chapter 32 to determine if those provisions apply.

903.2.11.8 Spray Booths and Rooms. New and existing spray booths and spraying rooms shall be protected by an approved automatic fire-extinguishing system.

903.2.11.9 Buildings Over 6,000 sq. ft. An automatic sprinkler system shall be installed throughout all buildings with a building area 6,000 sq. ft. or greater and in all existing buildings that are enlarged to be 6,000 sq. ft. or greater. For the purpose of this provision, fire walls shall not define separate buildings.

Exception: Open parking garages in compliance with Section 406.5 of the *International Building Code*.

(Reason: Provides jurisdictions options as to their desired level of sprinkler protection based on multiple factors including firefighting philosophies/capabilities.)

****Section 903.3.1.1.1; change to read as follows:**

903.3.1.1.1 Exempt Locations. When approved by the fire code official, automatic sprinklers shall not be required in the following rooms or areas where such ... *{text unchanged}* ... because it is damp, of fire-resistance-rated construction or contains electrical equipment.

1. Any room where the application of water, or flame and water, constitutes a serious life or fire hazard.
2. Any room or space where sprinklers are considered undesirable because of the nature of the contents, when approved by the fire code official.
3. Generator and transformer rooms, under the direct control of a public utility, separated from the remainder of the building by walls and floor/ceiling or roof/ceiling assemblies having a fire-resistance rating of not less than 2 hours.
4. ~~In rooms or areas that are of noncombustible construction with wholly noncombustible contents.~~
5. ~~Fire service access~~ Elevator machine rooms, and machinery spaces, and hoistways, other than pits where such sprinklers would not necessitate shunt trip requirements under any circumstances.
6. {Delete.}

(Reason: Gives clarification. Exception 4 deleted to provide protection where fire risks are poorly addressed. Amendment 903.2 addresses Exception 5 above relative to the elimination of sprinkler protection in these areas to avoid the shunt trip requirement.)

*****Section 903.3.1.2.3; delete sections and replace as follows:**

[F] Section 903.3.1.2.3 Attached Garages and Attics. Sprinkler protection is required in attached garages, and in the following attic spaces:

1. [Remainder Unchanged]
2. [Remainder Unchanged]
3. Attic spaces of buildings that are two or more stories in height above grade plane or above the lowest level of fire department vehicle access.
4. Group R-4, Condition 2 occupancy attics not required by Item 1 or 3 to have sprinklers shall comply with one of the following:
[Remainder Unchanged]

(Reason: Attic protection is required due to issues with fire exposure via soffit vents, as well as firefighter safety. Several jurisdictions indicated experience with un-protected attic fires resulting in displacement of all building occupants. NFPA 13 provides for applicable attic sprinkler protection requirements, as well as exemptions to such, based on noncombustible construction, etc. Attached garages already require sprinklers via NFPA 13R – this amendment just re-emphasizes the requirement.)

[Remainder of page intentionally left blank.]

****Section 903.3.1.3; change to read as follows:**

903.3.1.3 NFPA 13D Sprinkler Systems. *Automatic sprinkler systems installed in one- and two-family dwellings; Group R-3; Group R-4, Condition 1; and townhouses shall be permitted to be installed throughout in accordance with NFPA 13D or in accordance with state law.*

(Reason: To allow the use of the Plumbing section of the International Residential Code (IRC) and recognize current state stipulations in this regard.)

****Section 903.3.1.4; add to read as follows:**

[F] 903.3.1.4 Freeze protection. Freeze protection systems for automatic fire sprinkler systems shall be in accordance with the requirements of the applicable referenced NFPA standard and this section.

903.3.1.4.1 Attics. Only dry-pipe, preaction, or listed antifreeze automatic fire sprinkler systems shall be allowed to protect attic spaces.

Exception: Wet-pipe fire sprinkler systems shall be allowed to protect non-ventilated attic spaces where:

1. The attic sprinklers are supplied by a separate floor control valve assembly to allow ease of draining the attic system without impairing sprinklers throughout the rest of the building, and
2. Adequate heat shall be provided for freeze protection as per the applicable referenced NFPA standard, and
3. The attic space is a part of the building's thermal, or heat, envelope, such that insulation is provided at the roof deck, rather than at the ceiling level.

903.3.1.4.2 Heat trace/insulation. Heat trace/insulation shall only be allowed where approved by the fire code official for small sections of large diameter water-filled pipe.

(Reason: In the last few years, severe winters brought to light several issues with current practices for sprinkling attics, not the least of which was wet-pipe sprinklers in ventilated attics provided with space heaters, etc. for freeze protection of such piping. This practice is not acceptable for the protection of water-filled piping in a ventilated attic space as it does not provide a reliable means of maintaining the minimum 40 degrees required by NFPA, wastes energy, and presents a potential ignition source to the attic space. Listed antifreeze is specifically included because NFPA currently allows such even though there is no currently listed antifreeze at the time of development of these amendments. The intent of this amendment is to help reduce the large number of freeze breaks that have occurred in the past with water-filled wet-pipe sprinkler systems in the future, most specifically in attic spaces.)

****Section 903.3.5; add a second paragraph to read as follows:**

Water supply as required for such systems shall be provided in conformance with the supply requirements of the respective standards; however, every water-based fire protection system shall be designed with a 10-psi safety factor. Reference Section 507.4 for additional design requirements.

(Reason: To define uniform safety factor for the region.)

****Section 903.4; add a second paragraph after the exceptions to read as follows:**

Sprinkler and standpipe system water-flow detectors shall be provided for each floor tap to the sprinkler system and shall cause an alarm upon detection of water flow for more than 45 seconds. All control valves in the sprinkler and standpipe systems except for fire department hose connection valves shall be electrically supervised to initiate a supervisory signal at the central station upon tampering.

(Reason: To avoid significant water losses. Consistent with amendment to IFC 905.9.)

****Section 903.4.2; add second paragraph to read as follows:**

The alarm device required on the exterior of the building shall be a weatherproof horn/strobe notification appliance with a minimum 75 candela strobe rating, installed as close as practicable to the fire department connection.

(Reason: Fire department connections are not always located at the riser; this allows the fire department faster access.)

****Section 905.2; change to read as follows:**

905.2 Installation Standard. Standpipe systems shall be installed in accordance with this section and NFPA 14. Manual dry standpipe systems shall be supervised with a minimum of 10 psig and a maximum of 40 psig air pressure with a high/low alarm.

(Reason: To define manual dry standpipe supervision requirements. Helps ensure the integrity of the standpipe system via supervision, such that open hose valves will result in a supervisory low air alarm.)

*****Section 905.3; add Section 905.3.9 and exception to read as follows:**

905.3.9 Buildings Exceeding 10,000 sq. ft. In buildings exceeding 10,000 square feet in area per story and where any portion of the building's interior area is more than 200 feet (60960 mm) of travel, vertically

and horizontally, from the nearest point of fire department vehicle access, Class I automatic wet or manual wet standpipes shall be provided.

Exceptions:

1. Automatic dry, semi-automatic dry, and manual dry standpipes are allowed as provided for in NFPA 14 where approved by the fire code official.
2. R-2 occupancies of four stories or less in height having no interior corridors.

(Reason: Allows for the rapid deployment of hose lines to the body of the fire. Manual dry option added this edition.)

****Section 905.4, change Items 1, 3, and 5, and add Item 7 to read as follows:**

1. In every required ~~interior~~ exit stairway, a hose connection shall be provided for each story above and below grade plane. Hose connections shall be located at the main floor landing between stories, unless otherwise approved by the fire code official.
2. {No change.}
3. In every exit passageway, at the entrance from the exit passageway to other areas of a building.

Exception: Where floor areas adjacent to an exit passageway are reachable from an ~~interior~~ exit stairway hose connection by a {No change to rest.}

4. {No change.}
5. Where the roof has a slope less than four units vertical in 12 units horizontal (33.3-percent slope), each standpipe shall be provided with a two-way a-hose connection shall be located to serve the roof or at the highest landing of an ~~interior~~ exit stairway with stair access to the roof provided in accordance with Section 1011.12.
6. {No change.}
7. When required by this Chapter, standpipe connections shall be placed adjacent to all required exits to the structure and at two hundred feet (200') intervals along major corridors thereafter, or as otherwise approved by the fire code official.

(Reason: Item 1, 3, and 5 amendments to remove 'interior' will help to clarify that such connections are required for all 'exit' stairways, to ensure firefighter capabilities are not diminished in these tall buildings, simply because the stair is on the exterior of the building. Item 5 reduces the amount of pressure required to facilitate testing, and provides backup protection for fire fighter safety. Item 7 allows for the rapid deployment of hose lines to the body of the fire.)

****Section 905.9; add a second paragraph after the exceptions to read as follows:**

Sprinkler and standpipe system water-flow detectors shall be provided for each floor tap to the sprinkler system and shall cause an alarm upon detection of water flow for more than 45 seconds. All control valves in the sprinkler and standpipe systems except for fire department hose connection valves shall be electrically supervised to initiate a supervisory signal at the central station upon tampering.

(Reason: To avoid significant water losses. Consistent with amendment to IFC 903.4.)

****Section 907.1; add Section 907.1.4 to read as follows:**

907.1.4 Design Standards. Where a new fire alarm system is installed, the devices shall be addressable. Fire alarm systems utilizing more than 20 smoke detectors shall have analog initiating devices.

(Reason: Provides for the ability of descriptive identification of alarms, and reduces need for panel replacement in the future. Updated wording to match the language of the new requirement at 907.5.2.3. Change of terminology allows for reference back to definitions of NFPA 72.)

****Section 907.2.1; change to read as follows:**

907.2.1 Group A. A manual fire alarm system that activates the occupant notification system in accordance with Section 907.5 shall be installed in Group A occupancies ~~where the~~ having an occupant load ~~due to the assembly occupancy is~~ of 300 or more persons, or where the ~~Group-A~~ occupant load is more than 100 persons above or below the *lowest level of exit discharge*. Group A occupancies not separated from one another in accordance with Section 707.3.10 of the *International Building Code* shall be considered as a single occupancy for the purposes of applying this section. Portions of Group E occupancies occupied for assembly purposes shall be provided with a fire alarm system as required for the Group E occupancy.

Exception: {No change.}

Activation of fire alarm notification appliances shall:

1. Cause illumination of the *means of egress* with light of not less than 1 foot-candle (11 lux) at the walking surface level, and
2. Stop any conflicting or confusing sounds and visual distractions.

(Reason: Increases the requirement to be consistent with Group B requirement. Also addresses issue found in Group A occupancies of reduced lighting levels and other A/V equipment that distracts from fire alarm notification devices or reduces ability of fire alarm system to notify occupants of the emergency condition.)

****Section 907.2.3; change to read as follows:**

907.2.3 Group E. A manual fire alarm system that initiates the occupant notification signal utilizing an emergency voice/alarm communication system meeting the requirements of Section 907.5.2.2 and installed in accordance with Section 907.6 shall be installed in Group E educational occupancies. When *automatic sprinkler systems* or smoke detectors are installed, such systems or detectors shall be connected to the building fire alarm system. An approved smoke detection system shall be installed in Group E day care occupancies. Unless separated by a minimum of 100' open space, all buildings, whether portable buildings or the main building, will be considered one building for alarm occupant load consideration and interconnection of alarm systems.

Exceptions:

1. {No change.}
- 1.1. Residential In-Home day care with not more than 12 children may use interconnected single station detectors in all habitable rooms. (For care of more than five children 2 1/2 or less years of age, see Section 907.2.6.) {No change to remainder of exceptions.}

(Reason: To distinguish educational from day care occupancy minimum protection requirements. Further, to define threshold at which portable buildings are considered a separate building for the purposes of alarm systems. Exceptions provide consistency with State law concerning such occupancies.)

****Section 907.2.12, Exception 3; change to read as follows:**

3. Open air portions of buildings with an occupancy in Group A-5 in accordance with Section 303.1 of the International Building Code; however, this exception does not apply to accessory uses including but not limited to sky boxes, restaurants, and similarly enclosed areas.

(Reason: To indicate that enclosed areas within open air seating type occupancies are not exempted from automatic fire alarm system requirements.)

****Section 907.4.2; add Section 907.4.2.7 to read as follows:**

907.4.2.7 Type. Manual alarm initiating devices shall be an approved double action type.

(Reason: Helps to reduce false alarms.)

****Section 907.6.1; add Section 907.6.1.1 to read as follows:**

907.6.1.1 Wiring Installation. All fire alarm systems shall be installed in such a manner that a failure of any single initiating device or single open in an initiating circuit conductor will not interfere with the normal operation of other such devices. All signaling line circuits (SLC) shall be installed in such a way that a single open will not interfere with the operation of any addressable devices (Class A). Outgoing and return SLC conductors shall be installed in accordance with NFPA 72 requirements for Class A circuits and shall have a minimum of four feet separation horizontal and one foot vertical between supply and return circuit conductors. The initiating device circuit (IDC) from a signaling line circuit interface device may be wired Class B, provided the distance from the interface device to the initiating device is ten feet or less.

(Reason: To provide uniformity in system specifications and guidance to design engineers. Improves reliability of fire alarm devices and systems.)

****Section 907.6.3; delete all four Exceptions.**

(Reason: To assist responding personnel in locating the emergency event for all fire alarm systems.)

****Section 907.6.6; add sentence at end of paragraph to read as follows:**

See 907.6.3 for the required information transmitted to the supervising station.

(Reason: To assist responding personnel in locating the emergency event for all fire alarm systems.)

(Reason: Deleted Previous code amendment Section 909.22, For removal because it is already in the code in Sections 909.20.5, 909.20.6, 909.20.6.1, 909.20.6.2, and 909.20.6.3.)

****Section 910.2; change Exception 2 and 3 to read as follows:**

2. Only manual smoke and heat removal shall ~~not~~ be required in areas of buildings equipped with early suppression fast-response (ESFR) sprinklers. Automatic smoke and heat removal is prohibited.
3. Only manual smoke and heat removal shall ~~not~~ be required in areas of buildings equipped with control mode special application sprinklers with a response time index of $50(m^*S)^{1/2}$ or less that are listed to control a fire in stored commodities with 12 or fewer sprinklers. Automatic smoke and heat removal is prohibited.

(Reason: Allows the fire department to control the smoke and heat during and after a fire event, while still prohibiting such systems from being automatically activated, which is a potential detriment to the particular sprinkler systems indicated.)

****Section 910.2; add subsections 910.2.3 with exceptions to read as follows:**

910.2.3 Group H. Buildings and portions thereof used as a Group H occupancy as follows:

1. In occupancies classified as Group H-2 or H-3, any of which are more than 15,000 square feet (1394 m²) in single floor area.

Exception: Buildings of noncombustible construction containing only noncombustible materials.

2. In areas of buildings in Group H used for storing Class 2, 3, and 4 liquid and solid oxidizers, Class 1 and unclassified detonable organic peroxides, Class 3 and 4 unstable (reactive) materials, or Class 2 or 3 water-reactive materials as required for a high-hazard commodity classification.

Exception: Buildings of noncombustible construction containing only noncombustible materials.

(Reason: Maintains a fire protection device utilized in such occupancies where it is sometimes necessary to allow chemicals to burn out, rather than extinguish.)

****Section 910.3; add section 910.3.4 to read as follows:**

910.3.4 Vent Operation. Smoke and heat vents shall be capable of being operated by approved automatic and manual means. Automatic operation of smoke and heat vents shall conform to the provisions of Sections 910.3.2.1 through 910.3.2.3.

910.3.4.1 Sprinklered buildings. Where installed in buildings equipped with an approved automatic sprinkler system, smoke and heat vents shall be designed to operate automatically. The automatic operating mechanism of the smoke and heat vents shall operate at a temperature rating at least 100 degrees F (approximately 38 degrees Celsius) greater than the temperature rating of the sprinklers installed.

Exception: Manual only systems per Section 910.2.

910.3.4.2 Nonsprinklered Buildings. Where installed in buildings not equipped with an approved automatic sprinkler system, smoke and heat vents shall operate automatically by actuation of a heat-responsive device rated at between 100°F (56°C) and 220°F (122°C) above ambient.

Exception: Listed gravity-operated drop out vents.

(Reason: Amendment continues to keep applicable wording from prior to the 2012 edition of the IFC. Specifically, automatic activation criteria is no longer specifically required in the published code. Specifying a temperature range at which smoke and heat vents should activate in sprinklered buildings helps to ensure that the sprinkler system has an opportunity to activate and control the fire prior to vent operation.)

****Section 910.4.3.1; change to read as follows:**

910.4.3.1 Makeup Air. Makeup air openings shall be provided within 6 feet (1829 mm) of the floor level. Operation of makeup air openings shall be ~~manual or~~ automatic. The minimum gross area of makeup air inlets shall be 8 square feet per 1,000 cubic feet per minute (0.74 m² per 0.4719 m³/s) of smoke exhaust.

(Reason: Makeup air has been required to be automatic for several years now in this region when mechanical smoke exhaust systems are proposed. This allows such systems to be activated from the smoke control panel by first responders without having to physically go around the exterior of the building opening doors manually. Such requires a significant number of first responders on scene to conduct this operation and significantly delays activation and/or capability of the smoke exhaust system.)

****Section 912.2; add Section 912.2.3 to read as follows:**

912.2.3 Hydrant Distance. An approved fire hydrant shall be located within 100 feet of the fire department connection as the fire hose lays along an unobstructed path.

(Reason: To accommodate limited hose lengths, improve response times where the FDC is needed to achieve fire control, and improve ease of locating a fire hydrant in those situations also. Also, consistent with NFPA 14 criteria.)

*****Section 913.2.1; add Section 913.2.1.1 and exception to read as follows:**

913.2.1.1 Fire Pump Room Access. When located on the ground level at an exterior wall, the fire pump room shall be provided with an exterior fire department access door that is not less than 3 ft. in width and 6 ft. – 8 in. in height, regardless of any interior doors that are provided. A key box shall be provided at this door, as required by IFC Section 506.1.

Exception: When it is necessary to locate the fire pump room on other levels or not at an exterior wall, the corridor leading to the fire pump room access from the exterior of the building shall be provided with equivalent fire resistance as that required for the pump room, or as approved by the fire code official. Access keys shall be provided in the key box as required by IFC Section 506.1.

(Reason: This requirement allows fire fighters safer access to the fire pump room. The requirement allows access without being required to enter the building and locate the fire pump room interior access door

during a fire event. The exception recognizes that this will not always be a feasible design scenario for some buildings, and as such, provides an acceptable alternative to protect the pathway to the fire pump room.)

****Section 1006.2.2.7; add Section 1006.2.2.7 as follows:**

1006.2.2.7 Electrical Rooms. For electrical rooms, special exiting requirements may apply. Reference the electrical code as adopted.

(Reason: Cross reference necessary for coordination with the NEC which has exiting requirements as well.)

****Section 1009.8; add the following Exception 7:**

1009.8 Two Way Communication. A two-way communication system complying with Sections 1009.8.1 and 1009.8.2 shall be provided at the landing serving each elevator required to be accessible on each accessible floor that is one or more stories above or below the level of exit discharge.

Exceptions:

7. Buildings regulated under State Law and built in accordance with State registered plans, including variances or waivers granted by the State, shall be deemed to be in compliance with the requirements of Section 1009 and chapter 11.

(Reason: To accommodate buildings regulated under Texas State Law and to be consistent with amendments in Chapter 11.)

****Section 1010.1.9.5 Bolt Locks; amend exceptions 3 and 4 as follows:**

Exceptions:

3. Where a pair of doors serves an occupant load of less than 50 persons in a Group B, F, M or S occupancy. (remainder unchanged)
4. Where a pair of doors serves a Group A, B, F, M or S occupancy (remainder unchanged)

(Reason: Application to M occupancies reflects regional practice; No. 4 expanded to Group A due to it being a similar scenario to other uses; No. 4 was regional practice.)

****Section 1020.1 Construction; add exception 6 to read as follows:**

6. In group B occupancies, corridor walls and ceilings need not be of fire-resistive construction within a single tenant space when the space is equipped with approved automatic smoke-detection within the corridor. The actuation of any detector must activate self-annunciating alarms audible in all areas within the corridor. Smoke detectors must be connected to an approved automatic fire alarm system where such system is provided.

(Reason: Regionally accepted alternate method.)

****Section 1029.1.1.1 Spaces under grandstands and bleachers; delete this section.**

(Reason: Unenforceable.)

****Section 1101.1 Scope; add exception to Section 1101.1 as follows:**

Exception: Components of projects regulated by and registered with Architectural Barriers Division of Texas Department of Licensing and Regulation shall be deemed to be in compliance with the requirements of this chapter.

(Reason: To accommodate buildings regulated under state law. Further clarified in 2015 to mean components that are specifically addressed by TDLR shall be exempt.)

****Section 2901.1; add a sentence to read as follows:**

[P] 2901.1 Scope. *{existing text to remain}* The provisions of this Chapter are meant to work in coordination with the provisions of Chapter 4 of the International Plumbing Code. Should any conflicts arise between the two chapters, the Building Official shall determine which provision applies.

(Reason: Gives building official discretion.)

****Section 2902.1; add a second paragraph to read as follows:**

In other than E Occupancies, the minimum number of fixtures in Table 2902.1 may be lowered, if requested in writing, by the applicant stating reasons for a reduced number and approved by the Building Official.

(Reason: To allow flexibility for designer to consider specific occupancy needs.)

****Table 2902.1; add footnote g to read as follows:**

g. Drinking fountains are not required in M Occupancies with an occupant load of 100 or less, B Occupancies with an occupant load of 25 or less, and for dining and/or drinking establishments.

(Reason: Adjustment meets the needs of specific occupancy types.)

****Add new Section 2902.1.4 to read as follows:**

2902.1.4 Additional fixtures for food preparation facilities. In addition to the fixtures required in this Chapter, all food service facilities shall be provided with additional fixtures set out in this section.

2902.1.4.1 Hand washing lavatory. At least one hand washing lavatory shall be provided for use by employees that is accessible from food preparation, food dispensing and ware washing areas. Additional hand washing lavatories may be required based on convenience of use by employees.

2902.1.4.2 Service sink. In new or remodeled food service establishments, at least one service sink or one floor sink shall be provided so that it is conveniently located for the cleaning of mops or similar wet floor cleaning tool and for the disposal of mop water and similar liquid waste. The location of the service sink(s) and/or mop sink(s) shall be approved by the **<Jurisdiction's>** health department.

(Reason: Coordinates Health law requirements with code language for consistent regional practice.)

*****Section 3001.2 Emergency Elevator Communication Systems for the deaf, hard of hearing and speech impaired; delete this section.**

(Reason: Per Elevator manufacturers input, they were not consulted prior to code approval and technology of elevator provisions as submitted are not currently available to provide this feature.)

*****Section 3002.1 Hoistway Enclosure Protection required. Add exceptions to Section 3002.1 as follows:**

Exceptions:

4. Elevators completely located within atriums shall not require hoistway enclosure protection.
5. Elevators in open or enclosed parking garages that serve only the parking garage, shall not require hoistway enclosure protection.

(Reason: Provides specific Code recognition that elevators within atriums and within parking garages do not require hoistway enclosure protection. Amendment needed since specific Code language does not currently exist.)

****Section 3005.4 Machine rooms, control rooms, machinery spaces and control spaces; delete text as follows:**

~~Elevator machine rooms, control rooms, control spaces and machinery spaces outside of but attached to a hoistway that have openings into the hoistway shall be enclosed with fire barriers constructed in accordance with Section 707 or horizontal assemblies constructed in accordance with Section 711, or both.~~

Revise text to read:

Elevator machine rooms, control rooms, control spaces and machinery spaces shall be enclosed with fire barriers constructed in accordance with Section 707 or horizontal assemblies constructed in accordance with Section 711, or both.

(Remainder unchanged)

(Reason: This amendment eliminates code language to be consistent with the regional goal to require passive enclosures of these areas unless a hoistway enclosure is not required by other Code provisions. See companion change to eliminate fire sprinklers thereby eliminating shunt trip.)

*****Section 3005.4 Machine rooms, control rooms, machinery spaces and control spaces; Delete exceptions and add two new exceptions to Section 3005.4 as follows:**

Exceptions:

1. Elevator machine rooms, control rooms, machinery spaces and control spaces completely located within atriums shall not require enclosure protection.
2. Elevator machine rooms, control rooms, machinery spaces and control spaces in open or enclosed parking garages that serve only the parking garage, shall not require enclosure protection.

(Reason: This amendment eliminates the Exceptions to Section 3005.4 such that passive enclosures for these areas are to be provided and maintained. The fire rating of these enclosures is permitted to be omitted by the above added exceptions where allowed by other provisions of the code such as in atriums and parking structures. See companion change to eliminate fire sprinklers to eliminate the need for shunt trip system.)

****Section 3005.7 add a Section 3005.7 as follows:**

3005.7 Fire Protection in Machine rooms, control rooms, machinery spaces and control spaces.

3005.7.1 Automatic sprinkler system. The building shall be equipped throughout with an automatic sprinkler system in accordance with Section 903.3.1.1, except as otherwise permitted by Section 903.3.1.1.1 and as prohibited by Section 3005.7.2.1.

3005.7.2.1 Prohibited locations. Automatic sprinklers shall not be installed in machine rooms, elevator machinery spaces, control rooms, control spaces and elevator hoistways.

3005.7.2.2 Sprinkler system monitoring. The sprinkler system shall have a sprinkler control valve supervisory switch and water-flow initiating device provided for each floor that is monitored by the building's fire alarm system.

3005.7.3 Water protection. An approved method to prevent water from infiltrating into the hoistway enclosure from the operation of the automatic sprinkler system outside the elevator lobby shall be provided.

3005.7.4 Shunt trip. Means for elevator shutdown in accordance with Section 3005.5 shall not be installed.

(Reason: Firefighter and public safety. This amendment eliminates the shunt trip requirement of the International Building Code Section 3005.5 for the purpose of elevator passenger and firefighter safety. The new section above is intended to be identical to Sections 3007.2, 3007.3, and 3007.4 for Fire Service Access Elevators and Sections 3008.2, 3008.3 and 3008.4 for Occupant Evacuation Elevators.)

****Section 3005.8; add Section 3005.8 as follows:**

3005.8 Storage. Storage shall not be allowed within the elevator machine room, control room, machinery spaces and or control spaces. Provide approved signage at each entry to the above listed locations stating: "No Storage Allowed."

(Reason: Reinforces the need to maintain space clean and free of combustibles. See companion change to eliminate fire sprinklers therein, to always require an enclosure - with IBC 3005.4 exceptions deleted - resulting in the limited need for a shunt trip system.)

Option A

Section 3006.2, Hoistway opening protection required; Revise text as follows:

5. The building is a high rise and the elevator hoistway is more than 75 feet (22 860 mm) in height. The height of the hoistway shall be measured from the lowest floor at or above grade to the highest floors served by the hoistway."

Option B

Section 3006.2, Hoistway opening protection required; Revise text as follows:

5. The building is a high rise and the elevator hoistway is more than ~~75 feet (22 860 mm)~~ 55 feet (16 764 mm) in height. The height of the hoistway shall be measured from the lowest floor at or above grade to the highest floors served by the hoistway."

(Reason: 2018 IBC text does not address hoistways that are greater than 75'-0" in height that are both below grade and above grade but not located above the high-rise classification nor does the IBC address hoistways wholly located above grade such as those that serve sky lobbies".)

End

Attachment B



North Central Texas
Council of Governments

Recommended Amendments to the 2018 International Residential Code North Central Texas Council of Governments Region

The following sections, paragraphs, and sentences of the *2018 International Residential Code* are hereby amended as follows: Standard type is text from the IRC. Underlined type is text inserted. ~~Lined through type is deleted text from IRC.~~ A double asterisk at the beginning of a section identifies an amendment carried over from the 2015 edition of the code and a triple asterisk identifies a new or revised amendment with the 2018 code.

In 2009, the State Legislature enacted SB 1410 prohibiting cities from enacting fire sprinkler mandates in residential dwellings. However, jurisdictions with ordinances that required sprinklers for residential dwellings prior to and enforced before January 1, 2009, may remain in place. Reference; Section R313 Automatic Fire Sprinkler Systems.

The energy provisions in IRC Chapter 11 is deleted in its entirety.

Reference the 2018 IECC for energy code provisions and recommended amendments.

****Section R102.4; change to read as follows:**

R102.4 Referenced codes and standards. The *codes*, when specifically adopted, and standards referenced in this *code* shall be considered part of the requirements of this *code* to the prescribed extent of each such reference and as further regulated in Sections R102.4.1 and R102.4.2. Whenever amendments have been adopted to the referenced *codes* and standards, each reference to said *code* and standard shall be considered to reference the amendments as well. Any reference made to NFPA 70 or the *Electrical Code* shall mean the *Electrical Code* as adopted.

(Reason: Legal wording to recognize locally adopted codes and amendments adopted with referenced codes.)

**** Section R103 and R103.1 amend to insert the Department Name**

DEPARTMENT OF BUILDING SAFETY [INSERT OFFICIAL BUILDING DEPARTMENT NAME OF JURISDICTION]

R103.1 Creation of enforcement agency. The ~~Department of Building Safety~~ [INSERT OFFICIAL BUILDING DEPARTMENT NAME OF JURISDICTION] is hereby created and the official in charge thereof shall be known as the *building official*.

(Reason: Reminder to be sure ordinance reads the same as designated by the city.)

****Section R104.10.1 Flood Hazard areas; delete this section.**

(Reason: Flood hazard ordinances may be administered by other departments within the city.)

****Section R105.3.1.1& R106.1.4; delete these sections.**

(Reason: Floodplain provisions are addressed locally.)

~~Section R110 (R110.1 through R110.5); delete the section.~~**

(Reason: Issuing CO's for residences is not a common practice in the area.)

****Section R202; change definition of "Townhouse" to read as follows:**

TOWNHOUSE. A single-family dwelling unit constructed in a group of three or more attached units separated by property lines in which each unit extends from foundation to roof and with a *yard* or *public way* on at least two sides.

(Reason: To distinguish Townhouses on separate lots.)

[Remainder of page intentionally left blank.]

*****Table R301.2 (1); fill in as follows:**

GROUND SNOW LOAD	WIND DESIGN				SEISMIC DESIGN CATEGORY ^f	SUBJECT TO DAMAGE FROM			WINTER DESIGN TEMPE ^e	ICE BARRIER UNDER-LAYMENT ^h	FLOOD HAZARDS ^g	AIR FREEZING INDEX ⁱ	MEAN ANNUAL TEMP ^j
	SPEED ^d (MPH)	Topographic Effects ^k	Special Wind Region ^l	Windborne Debris Zone ^m		Weathering ^a	Frost Line Depth ^b	Termite ^c					
5 lb/ft	115 (3 sec-gust)/ 76 fastest mile	No	No	No	A	Moderate	6"	Very Heavy	22° F	No	Local Code	150	64.9° F

Delete remainder of table Manual J Design Criteria and footnote N

(Reason: To promote regional uniformity. Manual J is utilized by third party and not part of performed plan reviews. This is a reference table only, not needed.)

****Section R302.1; add exception #6 to read as follows:**

Exceptions: {previous exceptions unchanged}

6. Open non-combustible carport structures may be constructed when also approved within adopted ordinances.

(Reason: Refers to other ordinances, such as zoning ordinances.)

****Section R302.3; add Exception #3 to read as follows:**

Exceptions:

1. {existing text unchanged}
2. {existing text unchanged}
3. Two-family dwelling units that are also divided by a property line through the structure shall be separated as required for townhouses.

(Reason: Provide guidance for a common construction method in this area. Correlates with amendment to IRC Section R202 Townhouse definition.)

****Section R302.5.1; change to read as follows:**

R302.5.1 Opening protection. Openings from a private garage directly into a room used for sleeping purposes shall not be permitted. Other openings between the garage and residence shall be equipped with solid wood doors not less than 13/8 inches (35 mm) in thickness, solid or honeycomb core steel doors not less than 13/8 inches (35 mm) thick, or 20-minute fire-rated doors. ~~Equipped with a self-closing or automatic closing device.~~

(Reason: Absence of data linking self-closing devices to increased safety. Self-closing devices often fail to close the door entirely.)

****Section R303.3, Exception; amend to read as follows:**

Exception: {existing text unchanged} Spaces containing only a water closet or water closet and a lavatory may be ventilated with an approved mechanical recirculating fan or similar device designed to remove odors from the air.

(Reason: Consistent with common local practice as recirculating fans are recognized as acceptable air movement.)

****Section R313.2 One and Two Family Dwellings; Delete this section and subsection in their entirety.**

(Reason: In 2009, the State Legislature enacted SB 1410, amending section 1301.551 subsection I of the occupation code, prohibiting cities from enacting fire sprinkler mandates one or two family dwellings only. However, jurisdictions with ordinances that required sprinklers for one or two family dwellings prior to and enforced before January 1, 2009, may remain in place.)

*****Section R315.2.2 Alterations, repairs and additions; amend to read as follows:**

Exception:

1. [existing text remains]
2. Installation, alteration or repairs of all electrically powered mechanical systems or plumbing appliances.

(Reason: Revised exception for clarity. Code intent is to protect against the products of combustion.)

****Section R322 Flood Resistant Construction; deleted section.**

(Reason: Floodplain hazard ordinances may be administered by other departments within the city.)

****Section R401.2; amended by adding a new paragraph following the existing paragraph to read as follows.**

Section R401.2. Requirements. *{existing text unchanged}* ...

Every foundation and/or footing, or any size addition to an existing post-tension foundation, regulated by this code shall be designed and sealed by a Texas-registered engineer.

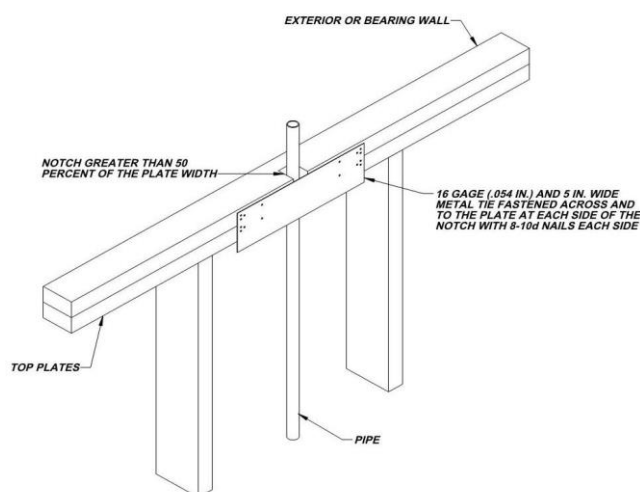
(Amendment to 2015 IRC carried forward to 2018 IRC.)

****Section R602.6.1; amend the following:**

R602.6.1 Drilling and notching of top plate. When piping or ductwork is placed in or partly in an exterior wall or interior load-bearing wall, necessitating cutting, drilling or notching of the top plate by more than 50 percent of its width, a galvanized metal tie not less than 0.054 inch thick (1.37 mm) (16 Ga) and 1½ inches (38 mm) 5 inches (127 mm) wide shall be fastened across and to the plate at each side of the opening with not less than eight 10d (0.148 inch diameter) having a minimum length of 1 ½ inches (38 mm) at each side or equivalent. Fasteners will be offset to prevent splitting of the top plate material. The metal tie must extend a minimum of 6 inches past the opening. See figure R602.6.1. *{remainder unchanged}*

(Amendment to 2015 IRC carried forward to 2018 IRC.)

****Figure R602.6.1; delete the figure and insert the following figure:**



(Amendment to 2015 IRC carried forward to 2018 IRC also provides additional assurance of maintaining the integrity of the framing by spreading the nailing pattern.)

*****Add section R703.8.4.1.2 Veneer Ties for Wall Studs; to read as follows:**

R703.8.4.1.2 Veneer Ties for Wall Studs. In stud framed exterior walls, all ties may be anchored to studs as follows:

1. When studs are 16 in (407 mm) o.c., stud ties shall be spaced no further apart than 24 in (737 mm) vertically starting approximately 12 in (381 mm) from the foundation; or
2. When studs are 24 in (610 mm) o.c., stud ties shall be spaced no further apart than 16 in (483 mm) vertically starting approximately 8 in (254 mm) from the foundation.

(This amendment had been a carryover amendment for years to provide clear instruction for placement of brick ties. It is now retained with changes to reflect its correct placement and use for clarity when attachment to framing lumber (studs). It should remain for those purposes. It is in addition to the new Table in 2018 which provides for brick ties directly to sheathing.)

****Section R902.1; amend and add exception #5 to read as follows:**

R902.1 Roofing covering materials. Roofs shall be covered with materials as set forth in Sections R904 and R905. Class A, B, or C roofing shall be installed ~~in designated by law as requiring their use or when the edge of the roof is less than 3 feet from a lot line.~~ *{remainder unchanged}*

Exceptions:

1. *{text unchanged}*
2. *{text unchanged}*
3. *{text unchanged}*
4. *{text unchanged}*
5. Non-classified roof coverings shall be permitted on one-story detached accessory structures used as tool and storage sheds, playhouses and similar uses, provided the floor area does not exceed (area defined by jurisdiction).

(Reason: to address accessory structures Group U exempt from permits per Section R105.2)

***** Chapter 11 [RE] – Energy Efficiency is deleted in its entirety; Reference the 2018 IECC for energy code provisions and recommended amendments.**

(Reason: The recommended energy code changes from the Energy and Green Advisory Board update the amendments for Chapter 11. The 2018 International Energy Conservation Code should be referenced for residential energy provisions. This approach simply minimizes the number of amendments to the IRC.)

*****Section M1305.1.2; change to read as follows:**

M1305.1.2 Appliances in attics. Attics containing appliances shall be provided . . . {bulk of paragraph unchanged} . . . side of the appliance. The clear access opening dimensions shall be a minimum of 20 inches by 30 inches (508 mm by 762 mm), and large enough to allow removal of the largest appliance. As a minimum, for access to the attic space, provide one of the following:

1. A permanent stair.
2. A pull down stair with a minimum 300 lb (136 kg) capacity.
3. An access door from an upper floor level.

Exceptions:

1. The passageway and level service space are not required where the *appliance* can be serviced and removed through the required opening.
2. Where the passageway is unobstructed...{remaining text unchanged}

(Reason: To provide a safe means of accessibility to appliances in attics and to allow for different types of construction limitations. Consistent with regional amendment to IFGC and IMC 306.3.)

****Section M1411.3; change to read as follows:**

M1411.3 Condensate disposal. Condensate from all cooling coils or evaporators shall be conveyed from the drain pan outlet to ~~an approved place of disposal~~ a sanitary sewer through a trap, by means of a direct or indirect drain. {remaining text unchanged}

(Reason: Reflects regional practice and to reduce excessive runoff into storm drains.)

****Section M1411.3.1, Items 3 and 4; add text to read as follows:**

M1411.3.1 Auxiliary and secondary drain systems. {bulk of paragraph unchanged}

1. {text unchanged}
2. {text unchanged}
3. An auxiliary drain pan... {bulk of text unchanged}... with Item 1 of this section. A water level detection device may be installed only with prior approval of the building official.
4. A water level detection device... {bulk of text unchanged}... overflow rim of such pan. A water level detection device may be installed only with prior approval of the building official.

(Reason: Reflects standard practice in this area.)

****Section M1411.3.1.1; add text to read as follows:**

M1411.3.1.1 Water-level monitoring devices. On down-flow units ...{bulk of text unchanged}... installed in the drain line. A water level detection device may be installed only with prior approval of the building official.

(Reason: Reflects standard practice in this area.)

*****M1503.6 Makeup Air Required; amend and add exception as follows:**

M1503.6 Makeup air required. Where one or more gas, liquid or solid fuel-burning appliance that is neither direct-vent nor uses a mechanical draft venting system is located within a dwelling unit's air barrier, each exhaust system capable of exhausting in excess of 400 cubic feet per minute (0.19 m³/s) shall be mechanically or passively provided with makeup air at a rate approximately equal to the difference between exhaust air rate and 400 cubic feet per minute. Such makeup air systems shall be equipped with not fewer than one damper complying with Section M1503.6.2.

Exception: Makeup air is not required for exhaust systems installed for the exclusive purpose of space cooling and intended to be operated only when windows or other air inlets are open. Where all appliances in the house are of sealed combustion, power-vent, unvented, or electric, the exhaust hood system shall be permitted to exhaust up to 600 cubic feet per minute (0.28 m³/s) without providing makeup air. Exhaust hood systems capable of exhausting in excess of 600 cubic feet per minute (0.28 m³/s) shall be provided with a makeup air at a rate approximately to the difference between the exhaust air rate and 600 cubic feet per minute.

(Reason: Exception requires makeup air equaling the amount above and beyond 400 cfm for larger fan which will address concerns related to "fresh" air from the outdoors in hot humid climates creating a burden on HVAC equipment and negative efficiency impacts from back-drafting and wasted energy.)

****Section M2005.2; change to read as follows:**

M2005.2 Prohibited locations. Fuel-fired water heaters shall not be installed in a room used as a storage closet. Water heaters located in a bedroom or bathroom shall be installed in a sealed enclosure so that *combustion air* will not be taken from the living space. Access to such enclosure may be from the bedroom or bathroom when through a solid door, weather-stripped in accordance with the exterior door air leakage requirements of the *International Energy Conservation Code* and equipped with an *approved self-closing device*. Installation of direct-vent water heaters within an enclosure is not required.

(Reason: Corresponds with the provisions of IFGC Section 303.3, exception #5.)

****Section G2408.3 (305.5) Private Garages; delete this section in its entirety.**

(Reason: This provision does not reflect standard practice in this area.)

****Section G2415.2.1 (404.2.1) CSST; add a second paragraph to read as follows:**

Both ends of each section of medium pressure gas piping shall identify its operating gas pressure with an *approved tag*. The tags are to be composed of aluminum or stainless steel and the following wording shall be stamped into the tag:

"WARNING: 1/2 to 5 psi gas pressure - Do Not Remove"

(Reason: To protect homeowners and plumbers.)

*****Section G2415.12 (404.12) and G2415.12.1 (404.12.1); change to read as follows:**

G2415.12 (404.12) Minimum burial depth. Underground *pipng systems* shall be installed a minimum depth of ~~12 inches (305 mm)~~ 18 inches (457 mm) below grade, ~~except as provided for in Section G2415.12.1.~~

G2415.12.1 (404.12.1) Individual Outdoor Appliances; Delete in its entirety

(Reason: To provide increased protection to piping systems.)

****Section G2417.1 (406.1); change to read as follows:**

G2417.1 (406.1) General. Prior to acceptance and initial operation, all *pipng* installations shall be inspected and *pressure tested* to determine that the materials, design, fabrication, and installation practices comply with the requirements of this *code*. The *permit* holder shall make the applicable tests prescribed in Sections 2417.1.1 through 2417.1.5 to determine compliance with the provisions of this *code*. The *permit* holder shall give reasonable advance notice to the *building official* when the *pipng system* is ready for testing. The *equipment*, material, power and labor necessary for the inspections and test shall be furnished by the *permit* holder and the *permit* holder shall be responsible for determining that the work will withstand the test pressure prescribed in the following tests.

(Reason: To utilize language used in the IPC regarding who is responsible for testing procedures.)

****Section G2417.4; change to read as follows:**

G2417.4 (406.4) Test pressure measurement. Test pressure shall be measured with a monometer or with a pressure-measuring device designed and calibrated to read, record, or indicate a pressure loss caused by leakage during the pressure test period. The source of pressure shall be isolated before the pressure tests are made. ~~Mechanical gauges used to measure test pressures shall have a range such that the highest end of the scale is not greater than five times the test pressure.~~

(Reason: To require the use of more accurate diaphragm gauges. Spring gauges do not provide accurate measurement below approximately 17 psig.)

****Section G2417.4.1; change to read as follows:**

G2417.4.1 (406.4.1) Test pressure. The test pressure to be used shall be no less than 3 psig (20 kPa gauge), or at the discretion of the Code Official, the piping and valves may be tested at a pressure of at least six (6) inches (152 mm) of mercury, measured with a manometer or slope gauge, irrespective of design pressure. Where the test pressure exceeds 125 psig (862 kPa gauge), the test pressure shall not exceed a value that produces a hoop stress in the piping greater than 50 percent of the specified minimum yield strength of the pipe. For tests requiring a pressure of 3 psig, diaphragm gauges shall utilize a dial with a minimum diameter of three- and one-half inches (3 1/2"), a set hand, 1/10-pound incrementation and pressure range not to exceed 6 psi for tests requiring a pressure of 3 psig. For tests requiring a pressure of 10 psig, diaphragm gauges shall utilize a dial with a minimum diameter of three and one-half inches (3 1/2"), a set hand, a minimum of 2/10 pound incrementation and a pressure range not to exceed 20 psi. For welded piping, and for piping carrying gas at pressures in excess of fourteen (14) inches water column pressure (3.48 kPa) (1/2 psi) and less than 200 inches of water column pressure (52.2 kPa) (7.5 psi), the test pressure shall not be less than ten (10) pounds per square inch (69.6 kPa). For piping carrying gas at

a pressure that exceeds 200 inches of water column (52.2 kPa) (7.5 psi), the test pressure shall be not less than one and one-half times the proposed maximum working pressure.

Diaphragm gauges used for testing must display a current calibration and be in good working condition. The appropriate test must be applied to the diaphragm gauge used for testing

(Reason: To provide for lesser pressures to coordinate with the use of more accurate diaphragm gauges.)

****Section G2417.4.2; change to read as follows:**

G2417.4.2 (406.4.2) Test duration. The test duration shall be held for a length of time satisfactory to the Building Official, but in no case for be not less than 10-fifteen (15) minutes. For welded piping, and for piping carrying gas at pressures in excess of fourteen (14) inches water column pressure (3.48 kPa), the test duration shall be held for a length of time satisfactory to the Building Official, but in no case for less than thirty (30) minutes.

(Reason: To comply with accepted regional practices.)

****Section G2420.1 (406.1); add Section G2420.1.4 to read as follows:**

G2420.1.4 Valves in CSST installations. Shutoff valves installed with corrugated stainless steel (CSST) piping systems shall be supported with an approved termination fitting, or equivalent support, suitable for the size of the valves, of adequate strength and quality, and located at intervals so as to prevent or damp out excessive vibration but in no case greater than 12-inches from the center of the valve. Supports shall be installed so as not to interfere with the free expansion and contraction of the system's piping, fittings, and valves between anchors. All valves and supports shall be designed and installed so they will not be disengaged by movement of the supporting piping.

(Reason: To provide proper security to CSST valves. These standards were established in this region in 1999 when CSST was an emerging technology.)

****Section G2420.5.1 (409.5.1); add text to read as follows:**

G2420.5.1 (409.5.1) Located within the same room. The shutoff valve...{bulk of paragraph unchanged}... in accordance with the appliance manufacturer's instructions. A secondary shutoff valve must be installed within 3 feet (914 mm) of the firebox if appliance shutoff is located in the firebox.

(Reason: Reflects regional practice and provides an additional measure of safety.)

****Section G2421.1 (410.1); add text and Exception to read as follows:**

G2421.1 (410.1) Pressure regulators. A line pressure regulator shall be ... {bulk of paragraph unchanged}... approved for outdoor installation. Access to regulators shall comply with the requirements for access to appliances as specified in Section M1305.

Exception: A passageway or level service space is not required when the regulator is capable of being serviced and removed through the required attic opening.

(Reason: To require adequate access to regulators.)

****Section G2422.1.2.3 (411.1.3.3) Prohibited locations and penetrations; delete Exception 1 and Exception 4.**

(Reason: To comply with accepted regional practices.)

****Section G2445.2 (621.2); add Exception to read as follows:**

G2445.2 (621.2) Prohibited use. One or more unvented room heaters shall not be used as the sole source of comfort heating in a dwelling unit.

Exception: Existing approved unvented room heaters may continue to be used in dwelling units, in accordance with the code provisions in effect when installed, when approved by the Building Official unless an unsafe condition is determined to exist as described in International Fuel Gas Code Section 108.7 of the Fuel Gas Code.

(Reason: Gives code official discretion.)

****Section G2448.1.1 (624.1.1); change to read as follows:**

G2448.1.1 (624.1.1) Installation requirements. The requirements for water heaters relative to access, sizing, relief valves, drain pans and scald protection shall be in accordance with this code.

(Reason: To clarify installation requirements. Also corresponds with amendments regarding water heater access.)

*****Section P2603; add to read as follows:**

P2603.3 Protection against corrosion. Metallic piping, except for cast iron, ductile iron and galvanized steel, shall not be placed in direct contact with steel framing members, concrete or cinder walls and floors

or other masonry. Metallic piping shall not be placed in direct contact with corrosive soil. Where sheathing is used to prevent direct contact, the sheathing shall have a thickness of not less than 0.008 inch (8 mil) (0.203 mm) and the sheathing shall be made of approved material plastic. Where sheathing protects piping that penetrates concrete or masonry walls or floors, the sheathing shall be installed in a manner that allows movement of the piping within the sheathing.

(Reason: Allows for other materials to be accepted.)

*****Section P2603.5.1 Sewer Depth; change to read as follows:**

P2603.5.1 Sewer depth. Building sewers that connect to private sewage disposal systems shall be a minimum of [number] inches (mm) below finished grade at the point of septic tank connection. Building sewers shall be a minimum of 12 inches (304 mm) below grade.

(Reason: Provides sewer depth that is common in this region. Deleted reference to private sewage disposal because a private sewage disposal code is not typically adopted in this region.)

*****Section P2604; add to read as follows:**

P2604.2.1 Plastic sewer and DWV piping installation. Plastic sewer and DWV piping installed underground shall be installed in accordance with the manufacturer's installation instructions. Trench width shall be controlled to not exceed the outside the pipe diameter plus 16 inches or in a trench which has a controlled width equal to the nominal diameter of the piping multiplied by 1.25 plus 12 inches. The piping shall be bedded in 4 inches of granular fill and then backfilled compacting the side fill in 6-inch layers on each side of the piping. The compaction shall be to minimum of 85 percent standard proctor density and extend to a minimum of 6 inches above the top of the pipe.

(Reason: To follow manufacturer backfill requirements and to be clear to Inspectors out in the field.)

***** Section P2801; change to read as follows:**

P2801.6 Required pan.

Where a storage tank-type water heater or a hot water storage tank is installed in a location where water leakage from the tank will cause damage, the tank shall be installed in a pan constructed of one of the following:

1. Galvanized steel or aluminum of not less than 0.0236 inch (0.6010 mm) in thickness.
2. Plastic not less than 0.036 inch (0.9 mm) in thickness.
3. Other *approved* materials.

~~A plastic pan beneath a gas-fired water heater shall be constructed of material having a flame spread index of 25 or less and a smoke-developed index of 450 or less when tested in accordance with ASTM E84 or UL 723.~~

(Reason: Plastic burns degrading material over time on gas fired water heaters and to maintaining protection level.)

****Section P2801.6.1; change to read as follows:**

Section P2801.6.1 Pan size and drain. The pan shall be not less than 11/2 inches (38 mm) in depth and shall be of sufficient size and shape to receive all dripping or condensate from the tank or water heater. The pan shall be drained by an indirect waste pipe having a diameter of not less than 3/4 inch (19 mm). Piping for safety pan drains shall be of those materials listed in Table P2906.5.

Multiple pan drains may terminate to a single discharge piping system when *approved* by the administrative authority and permitted by the manufactures installation instructions and installed with those instructions.
{existing text unchanged}

(Reason: Regionally accepted practice.)

***** Section P2804.6.1; change to read as follows:**

Section P2804.6.1 Requirements for discharge piping. The discharge piping serving a pressure relief valve, temperature relief valve or combination thereof shall:

1. Not be directly connected to the drainage system.
2. Discharge through an air gap ~~located in the same room as the water heater.~~
3. Not be smaller than the diameter of the outlet of the valve served and shall discharge full size to the air gap.
4. Serve a single relief device and shall not connect to piping serving any other relief device or equipment.

Exception: Multiple relief devices may be installed to a single T & P discharge piping system when approved by the administrative authority and permitted by the manufactures installation instructions and installed with those instructions.

5. Discharge to the floor, to the pan serving the water heater or storage tank, to a waste receptor an approved location or to the outdoors.

[remainder unchanged]

(Reason: To ensure the T&P is ran to the exterior.)

****Section P2902.5.3; change to read as follows:**

P2902.5.3 Lawn irrigation systems. The potable water supply to lawn irrigation systems shall be protected against backflow by an atmospheric-type vacuum breaker, a pressure-type vacuum breaker, a double-check assembly or a reduced pressure principle backflow preventer. A valve shall not be installed downstream from an atmospheric vacuum breaker. Where chemicals are introduced into the system, the potable water supply shall be protected against backflow by a reduced pressure principle backflow preventer.

(Reason: To provide clarity.)

*****Section P3003.9; change to read as follows:**

P3003.9.2 Solvent cementing. Joint surfaces shall be clean and free from moisture. A purple primer that conforms to ASTM F 656 shall be applied. Solvent cement not purple in color and conforming to ASTM D 2564, CSA B137.3, CSA B181.2 or CSA B182.1 shall be applied to all joint surfaces. The joint shall be made while the cement is wet and shall be in accordance with ASTM D 2855. Solvent cement joints shall be permitted above or below ground.

Exception: A primer is not required where both of the following conditions apply:

1. ~~The solvent cement used is third-party certified as conforming to ASTM D 2564~~
2. ~~The solvent cement is used only for joining PVC drain, waste, and vent pipe and fittings in not pressure applications in sizes up to and including 4 inches (102mm) in diameter.~~

(Reason: to keep the "process of joining PVC pipe".)

****Section P3111Combination waste and vent systems; delete this section in its entirety.**

(Reason: A combination waste and vent system is not approved for use in residential construction.)

****Section P3112.2 Vent Collection; delete and replace with the following:**

P3112.2 Installation. Traps for island sinks and similar equipment shall be roughed in above the floor and may be vented by extending the vent as high as possible, but not less than the drainboard height and then returning it downward and connecting it to the horizontal sink drain immediately downstream from the vertical fixture drain. The return vent shall be connected to the horizontal drain through a wye-branch fitting and shall, in addition, be provided with a foot vent taken off the vertical fixture vent by means of a wye-branch immediately below the floor and extending to the nearest partition and then through the roof to the open air or may be connected to other vents at a point not less than six (6) inches (152 mm) above the flood level rim of the fixtures served. Drainage fittings shall be used on all parts of the vent below the floor level and a minimum slope of one-quarter (1/4) inch per foot (20.9 mm/m) back to the drain shall be maintained. The return bend used under the drain-board shall be a one (1) piece fitting or an assembly of a forty-five (45) degree (0.79 radius), a ninety (90) degree (1.6 radius) and a forty-five (45) degree (0.79 radius) elbow in the order named. Pipe sizing shall be as elsewhere required in this Code. The island sink drain, upstream of the return vent, shall serve no other fixtures. An accessible cleanout shall be installed in the vertical portion of the foot vent.

(Reason: To clarify the installation of island venting and to provide a regional guideline on a standard installation method for this region.)

END

Attachment C



North Central Texas
Council of Governments

Recommended Amendments to the 2018 International Mechanical Code North Central Texas Council of Governments Region

The following sections, paragraphs, and sentences of the *2018 International Mechanical Code* (IMC) are hereby amended as follows: Standard type is text from the IMC. Underlined type is text inserted. ~~Lined through type is deleted text from the IMC.~~ A double asterisk at the beginning of a section identifies an amendment carried over from the 2015 edition of the code and a triple asterisk identifies a new or revised amendment of the 2018 edition of the code.

Note: Historically the North Central Texas Council of Governments (NCTCOG) has limited Chapter 1 amendments in order to allow each city to insert their local policies and procedures. We now have suggested certain items to be brought to the attention of cities considering adoption of the code that may be of concern to several jurisdictions. **It is still intended to be discretionary to each city to determine which Chapter 1 amendments to include.**

*****Section 102.8; change to read as follows:**

102.8 Referenced Codes and Standards. The codes and standards referenced herein shall be those that are listed in Chapter 15 and such codes, when specifically adopted, and standards shall be considered part of the requirements of this code to the prescribed extent of each such reference. Where differences occur between provisions of this code and the referenced standards, the provisions of this code shall apply. Whenever amendments have been adopted to the referenced codes and standards, each reference to said code and standard shall be considered to reference the adopted amendments. Any reference to NFPA 70 shall mean the Electrical Code as adopted.

(Reason: Legal wording to recognize locally adopted codes and amendments adopted with referenced codes.)

*****Section 306.3; change to read as follows:**

306.3 Appliances in Attics. Attics containing appliances shall be provided . . . *{bulk of paragraph unchanged}* . . . side of the appliance. The clear access opening dimensions shall be a minimum of 20 inches by 30 inches (508 mm by 762 mm), and large enough to allow removal of the largest appliance. As a minimum, for access to the attic space, provide one of the following:

4. A permanent stair.
5. A pull-down stair with a minimum 300 lb. (136 kg) capacity.
6. An access door from an upper floor level.
7. Access Panel may be used in lieu of items 1, 2, and 3 with prior approval of the code official due to building conditions.

Exceptions:

1. The passageway and level service space are not required where the appliance is capable of being serviced and removed... *{remainder of section unchanged}*

(Reason: To provide a safe means of accessibility to appliances in attics and to allow for different types of construction limitations. Consistent with regional amendment to International Fuel and gas Code (IFGC) 306.3.)

*****Section 306.5; change to read as follows:**

306.5 Equipment and Appliances on Roofs or Elevated Structures. Where *equipment* requiring access or appliances are located on an elevated structure or the roof of a building such that personnel will have to climb higher than 16 feet (4877 mm) above grade to access, an interior or exterior means of access shall be provided. Exterior ladders providing roof access need not extend closer than 12 feet (2438 mm) to the finish grade or floor level below and shall extend to the equipment and appliances' level service space. Such access shall . . . *{bulk of section to read the same}* . . . on roofs having a slope greater than four units vertical in 12 units horizontal (33-percent slope). ... *{remainder of text unchanged}*.

(Reason: To assure access to roof appliances and provide options to not extend exterior ladders to grade. Consistent with IFGC amendments.)

****Section 306.5.1; change to read as follows:**

306.5.1 Sloped Roofs. Where appliances, *equipment*, fans or other components that require service are installed on a roof having a slope of three units vertical in 12 units horizontal (25-percent slope) or greater and having an edge more than 30 inches (762 mm) above grade at such edge, a catwalk at least 16 inches in width with substantial cleats spaced not more than 16 inches apart shall be provided from the roof access to a level platform at the appliance. The level platform shall be provided on each side of the appliance to which access is required for service, repair or maintenance. The platform shall be not less than 30 inches (762 mm) in any dimension and shall be provided with guards. The guards shall extend not less than 42 inches (1067 mm) above the platform, shall be constructed so as to prevent the passage of a 21-inch-diameter (533 mm) sphere and shall comply with the loading requirements for guards specified in the *International Building Code*...{remainder of text unchanged}.

(Reason: To assure safe access to roof appliances. Consistent with IFGC amendments.)

****Section 306; add Section 306.6 to read as follows:**

306.6 Water Heaters Above Ground or Floor. When the mezzanine or platform in which a water heater is installed is more than eight (8) feet (2438 mm) above the ground or floor level, it shall be made accessible by a stairway or permanent ladder fastened to the building.

Exception: A maximum 10-gallon water heater (or larger with approval) is capable of being accessed through a lay-in ceiling and the water heater installed is not more than ten (10) feet (3048 mm) above the ground or floor level and may be reached with a portable ladder.

(Reason: To provide safe access to water heaters and to provide lighting and receptacle for maintenance of equipment. Consistent with regional amendments to IFGC 306.7 and International Plumbing Code (IPC) 502.5.)

****Section 307.2.3; amend item 2 to read as follows:**

2. A separate overflow drain line shall be connected to the drain pan provided with the equipment. Such overflow drain shall discharge to a conspicuous point of disposal to alert occupants in the event of a stoppage of the primary drain. The overflow drain line shall connect to the drain pan at a higher level than the primary drain connection. However, the conspicuous point shall not create a hazard such as dripping over a walking surface or other areas so as to create a nuisance.

(Reason: Greater specificity in prohibited locations for condensate discharge. Consistent with regional amendment to IPC 314.2.1.)

****Section 403.2.1; add an item 5 to read as follows:**

8. Toilet rooms within private dwellings that contain only a water closet, lavatory, or combination thereof may be ventilated with an approved mechanical recirculating fan or similar device designed to remove odors from the air.

(Reason: Consistent with common regional practice. Consistent with regional amendment to International Residential Code (IRC) R303.3.)

****Section 501.3; add an exception to read as follows:**

501.3 Exhaust Discharge. The air removed by every mechanical exhaust system shall be discharged outdoors at a point where it will not cause a public nuisance and not less than the distances specified in Section 501.3.1. The air shall be discharged to a location from which it cannot again be readily drawn in by a ventilating system. Air shall not be exhausted into an attic, crawl space, or be directed onto walkways.

Exceptions:

1. Whole-house ventilation-type attic fans shall be permitted to discharge into the attic space of dwelling units having private attics.
2. Commercial cooking recirculating systems.
3. Where installed in accordance with the manufacturer's instructions and where mechanical or natural ventilation is otherwise provided in accordance with Chapter 4, listed and labeled domestic ductless range hoods shall not be required to discharge to the outdoors.
4. Toilet room exhaust ducts may terminate in a warehouse or shop area when infiltration of outside air is present.

(Reason: Provide a reasonable alternative in areas where a large volume of outside air is present.)

****Section 607.5.1; change to read as follows:**

607.5.1 Fire Walls. Ducts and air transfer openings permitted in fire walls in accordance with Section 705.11 of the International Building Code shall be protected with listed fire dampers installed in accordance with their listing. For hazardous exhaust systems see Section 510.1-510.9 IMC.

(Reason: Correspond with un-amended IBC 710.7.)

Attachment D



North Central Texas Council of Governments
Recommended Amendments to the
2018 International Plumbing Code
North Central Texas Council of Governments Region

The following sections, paragraphs, and sentences of the 2018 International Plumbing Code are hereby amended as follows: Standard type is text from the IPC. Underlined type is text inserted. Lined through type is deleted text from the IPC. A double asterisk at the beginning of a section identifies an amendment carried over from the 2015 edition of the code and a triple asterisk identifies a new or revised amendment with the 2018 edition of the code.

Note: Historically NCTCOG has limited Chapter 1 amendments in order to allow each city to insert their local policies and procedures. We now have suggested certain items to be brought to the attention of cities considering adoption of the code that may be of concern to several jurisdictions. It is still intended to be discretionary to each city to determine which Chapter 1 amendments to include.

**Table of Contents, Chapter 7, Section 714; change to read as follows:

714 Engineered Computerized Drainage Design 69

(Reason: Editorial change to make compatible with amendment to Section 714.1.)

***Section 102.8; change to read as follows:

102.8 Referenced codes and standards. The codes and standards referenced in this code shall be those that are listed in Chapter 15 and such codes, when specifically adopted, and standards shall be considered as part of the requirements of this code to the prescribed extent of each such reference. Where the differences occur between provisions of this code and the referenced standards, the provisions of this code shall be the minimum requirements. Whenever amendments have been adopted to the referenced codes and standards, each reference to said code and standard shall be considered to reference the adopted amendments. Any reference to NFPA 70 shall mean the Electrical Code as adopted.

(Reason: Legal wording to recognize locally adopted codes and amendments adopted with referenced codes.)

**Sections 106.6.2 and 106.6.3; change to read as follows:

106.6.2 Fee schedule. The fees for all plumbing work shall be as indicated in the following schedule: (JURISDICTION TO INSERT APPROPRIATE SCHEDULE) adopted by resolution of the governing body of the jurisdiction.

106.6.3 Fee Refunds. The code official shall establish a policy for authorize-authorizing the refunding of fees as follows. {Delete balance of section}

(Reason: This calls to attention of local jurisdictions considering adoption that they need a fee schedule and a refund policy.)

**Section 109; delete entire section and insert the following:

SECTION 109
MEANS OF APPEAL

109.1 Application for appeal. Any person shall have the right to appeal a decision of the code official to the board of appeals established by ordinance. The board shall be governed by the enabling ordinance.

(Reason: Most jurisdictions already have an ordinance establishing and governing an appeals board for this code. This also calls to the attention of jurisdictions not having such a board that it needs to be established.)

***Section 305; change to read as follows:

305.1 Protection against contact. Metallic piping, except for cast iron, ductile iron and galvanized steel, shall not be placed in direct contact with steel framing members, concrete or cinder walls and floors or other masonry. Metallic piping shall not be placed in direct contact with corrosive soil. Where sheathing is used

to prevent direct contact, the sheathing shall have a thickness of not less than 0.008 inch (8 mil) (0.203 mm) and the sheathing shall be made of approved material plastic. Where sheathing protects piping that penetrates concrete or masonry walls or floors, the sheathing shall be installed in a manner that allows movement of the piping within the sheathing.

(Reason: Allows for other materials to be accepted.)

305.4.1 Sewer depth. ~~Building sewers that connect to private sewage disposal systems shall be a minimum of [number] inches (mm) below finished grade at the point of septic tank connection.~~ Building sewers shall be a minimum of 12 inches (304 mm) below grade.

(Reason: Provides sewer depth that is common in this region. Deleted reference to private sewage disposal because a private sewage disposal code is not typically adopted in this region.)

****Section 305.7; change to read as follows:**

305.7 Protection of components of plumbing system. Components of a plumbing system installed within 3 feet along alleyways, driveways, parking garages or other locations in a manner in which they could be exposed to damage shall be recessed into the wall or otherwise protected in an *approved* manner.

(Reason: Provide a common cutoff point to designate a general separation distance at which plumbing systems should be safe for consistency in enforcement.)

*****Section 306; change to read as follows:**

*****306.2.4 Plastic sewer and DWV piping installation.** Plastic sewer and DWV piping installed underground shall be installed in accordance with the manufacturer's installation instructions. Trench width shall be controlled to not exceed the outside the pipe diameter plus 16 inches or in a trench which has a controlled width equal to the nominal diameter of the diameter of the piping multiplied by 1.25 plus 12 inches. The piping shall be bedded in 4 inches of granular fill and then backfilled compacting the side fill in 6-inch layers on each side of the piping. The compaction shall be to minimum of 85 percent standard proctor density and extend to a minimum of 6 inches above the top of the pipe.

(Reason: To follow manufacturer backfill requirements and to be clear to Inspectors out in the field)

****Section 314.2.1; change to read as follows:**

314.2.1 Condensate disposal. Condensate from all cooling coils and evaporators shall be conveyed from the drain pan outlet to an *approved* place of disposal. ... {text unchanged} ... Condensate shall not discharge into a street, alley, sidewalk, rooftop, or other areas so as to cause a nuisance.

(Reason: Greater specificity in prohibited locations for condensate discharge. It is the intent of this amendment to send condensate discharge into a sanitary sewer drain. Consistent with regional amendment to IMC 307.2.1.)

****Section 409.2; change to read as follows:**

409.2 Water connection. The water supply to a commercial dishwashing machine shall be protected against backflow by an air gap or backflow preventer in accordance with Section 608. (Remainder of section unchanged).

(Reason: Domestic dishwashing machines would be difficult to enforce and should already come equipped with backflow preventers. Consistent with regional amendments in IPC Section 608.)

****Section 413.4; change to read as follows:**

413.4 Required location for floor drains ~~Public laundries and central washing facilities.~~ Floor drains shall be installed in the following areas:

1. In public laundries and in the central washing facilities of multiple family dwellings, the rooms containing automatic clothes washers shall be provided with floor drains located to readily drain the entire floor area. Such drains shall have a minimum outlet of not less than 3 inches (76 mm) in diameter.
2. Commercial kitchens. In lieu of floor drains in commercial kitchens, the Code Official may accept floor sinks.
3. Public restrooms.

(Reason: To make more compatible with local health code practices.)

*****Section 502.3; change to read as follows:**

502.3 Water heaters installed in attics. Attics containing a water heater shall be provided . . . {bulk of paragraph unchanged} . . . side of the water heater. The clear access opening dimensions shall be not less than 20 inches by 30 inches (508 mm by 762 mm) where such dimensions are large enough to allow removal of the water heater. As a minimum, for access to the attic space, provide one of the following:

1. A permanent stair.
2. A pull-down stair with a minimum 300 lb (136 kg) capacity.
3. An access door from an upper floor level.
4. Access Panel may be used in lieu of items 1, 2, and 3 with prior approval of the Code Official due to building conditions.

Exceptions:

1. The passageway and level service space are not required where the appliance is capable of being serviced and removed... {remainder of text unchanged}

(Reason: To provide a safe means of accessibility to appliances in attics and to allow for different types of construction limitations. Consistent with regional amendment to IMC and IFGC)

****Section 502.6; add Section 502.6 to read as follows:**

502.6 Water heaters above ground or floor. When the attic, roof, mezzanine or platform in which a water heater is installed is more than eight (8) feet (2438 mm) above the ground or floor level, it shall be made accessible by a stairway or permanent ladder fastened to the building.

Exception: A max 10-gallon water heater (or larger with approval) is capable of being accessed through a lay-in ceiling and a water heater is installed is not more than ten (10) feet (3048 mm) above the ground or floor level and may be reached with a portable ladder.

(Reason: To provide safe access to water heaters. (Consistent with regional amendments to IFGC 306.7 and IMC 306.3. Note reference to amendment above.)

*****Section 504.6; change to read as follows:**

504.6 Requirements for discharge piping. The discharge piping serving a pressure relief valve, temperature relief valve or combination thereof shall:

1. Not be directly connected to the drainage system.
2. Discharge through an air gap. ~~located in the same room as the water heater.~~
3. Not be smaller than the diameter of the outlet of the valve served and shall discharge full size to the air gap.
4. Serve a single relief device and shall not connect to piping serving any other relief device or equipment.

Exception: Multiple relief devices may be installed to a single T & P discharge piping system when approved by the administrative authority and permitted by the manufacture's installation instructions and installed with those instructions.

5. ~~Discharge to the floor, to the pan serving the water heater or storage tank, to a waste receptor~~ Discharge to an approved location or to the outdoors.
6. Discharge in a manner that does not cause personal injury or structural damage.
7. Discharge to a termination point that is readily observable by the building occupants.
8. Not be trapped.
9. Be installed so as to flow by gravity.
10. Terminate not more than 6 inches above and not less than two times the discharge pipe diameter above the floor or flood level rim of the waste receptor.

11. Not have a threaded connection at the end of such piping.
12. Not have valves or tee fittings.
13. Be constructed of those materials listed in Section 605.4 or materials tested, rated and *approved* for such use in accordance with ASME A112.4.1.
14. Be one nominal size larger than the size of the relief valve outlet, where the relief valve discharge piping is installed with insert fittings. The outlet end of such tubing shall be fastened in place

(Reason: To provide a higher degree of safety.)

****Section 504.7.1; change to read as follows:**

Section 504.7.1 Pan size and drain to read as follows: The pan shall be not less than 1 1/2 inches (38 mm) in depth and shall be of sufficient size and shape to receive all dripping or condensate from the tank or water heater. The pan shall be drained by an indirect waste pipe having a diameter of not less than 3/4 inch (19 mm). Piping for safety pan drains shall be of those materials listed in Table 605.4. Multiple pan drains may terminate to a single discharge piping system when *approved* by the administrative authority and permitted by the manufactures installation instructions and installed with those instructions.

****Section 608.1; change to read as follows:**

608.1 General. A potable water supply system shall be designed, installed and maintained in such a manner so as to prevent contamination from non-potable liquids, solids or gases being introduced into the potable water supply through cross-connections or any other piping connections to the system. Backflow preventer applications shall conform to applicable local regulations, Table 608.1, ~~except~~ and as specifically stated in Sections 608.2 through 608.16.10.

(Reason: To recognize local requirements.)

****Section 608.17.5; change to read as follows:**

608.17.5 Connections to lawn irrigation systems.

The potable water supply to lawn irrigation systems shall be protected against backflow by an atmospheric-type vacuum breaker, a pressure-type vacuum breaker, a double-check assembly or a reduced pressure principle backflow preventer. A valve shall not be installed downstream from an atmospheric vacuum breaker. Where chemicals are introduced into the system, the potable water supply shall be protected against backflow by a reduced pressure principle backflow preventer.

(Reason: To recognize regional practices.)

****Section 608.18; change to read as follows:**

608.18 Protection of individual water supplies. An individual water supply shall be located and constructed so as to be safeguarded against contamination in accordance with applicable local regulations. Installation shall be in accordance with Sections 608.17.1 through 608.17.8.

(Reason: To allow local requirements to govern.)

Section 703.6; Delete

(Reason: not a standard practice in this region)

****Section 704.5; added to read as follows:**

704.5 Single stack fittings. Single stack fittings with internal baffle, PVC schedule 40 or cast-iron single stack shall be designed by a registered engineer and comply to a national recognized standard.

(Reason: to allow owners, installers, inspectors, and design professionals to ready identify product markers to determine they meet all required standards.)

****Section 712.5; add Section 712.5 to read as follows:**

712.5 Dual Pump System. All sumps shall be automatically discharged and, when in any “public use” occupancy where the sump serves more than 10 fixture units, shall be provided with dual pumps or ejectors arranged to function independently in case of overload or mechanical failure. For storm drainage sumps and pumping systems, see Section 1113.

(Reason: To address dual pump system. To provide reference for storm drainage systems.)

****Section 713, 713.1; change to read as follows:**

**SECTION 713
ENGINEERED COMPUTERIZED DRAINAGE DESIGN**

713.1 Design of drainage system. The sizing, design and layout of the drainage system shall be permitted to be designed by a registered engineer using approved computer design methods.

(Reason: Code was too restrictive.)

****Section 803.3; added to read as follows:**

803.3 Special waste pipe, fittings, and components. Pipes, fittings, and components receiving or intended to receive the discharge of any fixture into which acid or corrosive chemicals are placed shall be constructed of CPVC, high silicone iron, PP, PVDF, chemical resistant glass, or glazed ceramic materials.

(Reason: To clarify the allowable materials which are specifically listed for chemical drainage applications.)

****Section 903.1; change to read as follows:**

903.1 Roof extension. Open vent pipes that extend through a roof shall terminate not less than six (6) inches (152 mm) above the roof. Where a roof is to be used for assembly or as a promenade, observation deck, sunbathing deck or similar purposes, open vent pipes shall terminate not less than 7 feet (2134 mm) above the roof.

(Reason: To provide regional guideline on standard installation method for this area and address reference number correction.)

*****Section 918.8; change to read as follows.**

918.8 Where permitted. Individual, branch and circuit vents shall be permitted to terminate with a connection to an individual or branch-type air admittance valve in accordance with Section 918.3.1. Stack vents and vent stacks shall be permitted to terminate to stack-type air admittance valves in accordance with Section 918.3.2. Air admittance valves shall only be installed with the prior approval of the building official.

(Reason: Mechanical Device that is subject to fail and not installed per manufacturer)

****Section 1003; see note below:**

{Until the Health and Water Departments of the area can coordinate a uniform grease interceptor section, each city will have to modify this section individually.}

****Section 1106.1; change to read as follows:**

1106.1 General. The size of the vertical conductors and leaders, building storm drains, building storm sewers, and any horizontal branches of such drains or sewers shall be based on six (6) inches per hour the 100-year hourly rainfall rate indicated in Figure 1106.1 or on other rainfall rates determined from approved local weather data.

(Reason: Specify the roof drain size normally used in the area.)

****Section 1108.3; change to read as follows:**

1108.3 Sizing of secondary drains. Secondary (emergency) roof drain systems shall be sized in accordance with Section 1106 based on the rainfall rate for which the primary system is sized in Figure 1106.1 or on other rainfall rates determined from approved local weather data. Scuppers shall be sized to prevent the depth of ponding water from exceeding that for which the roof was designed as determined by

Section 1101.7. Scuppers shall not have an opening dimension of less than 4 inches (102 mm). The flow through the primary system shall not be considered when sizing the secondary roof drain system.

(Reason: Specify that overflow drainage is to be the same size as the normal roof drains.)

****Section 1109; delete this section.**

*****Section 1202.1; delete Exceptions 1 and 2.**

(Reason: State law already specifies that Med Gas systems must comply with NFPA 99.)

END

Attachment E



North Central Texas
Council of Governments

Recommended Amendments to the 2018 International Fuel Gas Code North Central Texas Council of Governments Region

The following sections, paragraphs, and sentences of the *2018 International Fuel Gas Code* are hereby amended as follows: Standard type is text from the IFGC. Underlined type is text inserted. ~~Lined through type is deleted text from IFGC.~~ A double asterisk at the beginning of a section identifies an amendment carried over from the 2015 edition of the code and a triple asterisk identifies a new or revised amendment with the 2018 code.

****Section 101.2**

{Local amendments to Section 101.2 may be necessary to correspond with the State Plumbing Licensing Law.}

****Section 102.2; add an exception to read as follows:**

Exception: Existing dwelling units shall comply with Section 621.2.

(Reason: Previous code provisions made unvented heater provisions retroactive except as provided for in local amendment. This amendment and amendment to IFGC 621.2 better clarify what the code already states: existing systems may stay unless considered unsafe.)

****Section 102.8; change to read as follows:**

102.8 Referenced codes and standards. The codes and standards referenced in this code shall be those that are listed in Chapter 8 and such codes, when specifically adopted, and standards shall be considered part of the requirements of this code to the prescribed extent of each such reference. Where differences occur between provisions of this code and the referenced standards, the provisions of this code shall apply. Whenever amendments have been adopted to the referenced codes and standards, each reference to said code and standard shall be considered to reference the amendments as well. Any reference to NFPA 70 or the ICC *Electrical Code* shall mean the *Electrical Code* as adopted.

(Reason: Legal wording to recognize locally adopted codes and amendments adopted with referenced codes.)

*****Section 306.3; change to read as follows:**

[M] 306.3 Appliances in attics. Attics containing appliances shall be provided . . . *{bulk of paragraph unchanged}* . . . side of the *appliance*. The clear access opening dimensions shall be a minimum of 20 inches by 30 inches (508 mm by 762 mm), and large enough to allow removal of the largest *appliance*. As a minimum, for access to the attic space, provide one of the following:

9. A permanent stair.
10. A pull-down stair with a minimum 300 lb (136 kg) capacity.
11. An access door from an upper floor level.
12. Access Panel may be used in lieu of items 1, 2, and 3 with prior approval of the code official due to building conditions.

Exceptions:

1. The passageway and level service space are not required where the *appliance* is capable of being serviced and removed through the required opening.
2. Where the passageway is not less than . . . *{bulk of section to read the same}*.

(Reason: To provide a safe means of accessibility to appliances in attics and to allow for different types of construction limitations. Consistent with regional amendment to IMC 306.3.)

*****Section 306.5; change to read as follows:**

[M] 306.5 Equipment and Appliances on Roofs or Elevated Structures. Where *equipment* requiring access or appliances are located on an elevated structure or the roof of a building such that personnel will have to climb higher than 16 feet (4877 mm) above grade to access, an interior or exterior means of access shall be provided. Exterior ladders providing roof access need not extend closer than 12 feet (2438 mm) to

the finish grade or floor level below and shall extend to the equipment and appliances' level service space. Such access shall . . . {bulk of section to read the same} . . . on roofs having a slope greater than four units vertical in 12 units horizontal (33-percent slope). ... {remainder of text unchanged}.

(Reason: To assure safe access to roof appliances. Consistent with IMC amendments.)

****Section 306.5.1; change to read as follows:**

[M] 306.5.1 Sloped roofs. Where appliances, *equipment*, fans or other components that require service are installed on a roof having a slope of 3 units vertical in 12 units horizontal (25-percent slope) or greater and having an edge more than 30 inches (762 mm) above grade at such edge, a catwalk at least 16 inches in width with substantial cleats spaced not more than 16 inches apart shall be provided from the roof access to a level platform at the appliance. The level platform shall be provided on each side of the appliance to which access is required for service, repair or maintenance. The platform shall be not less than 30 inches (762 mm) in any dimension and shall be provided with guards. The guards shall extend not less than 42 inches (1067 mm) above the platform, shall be constructed so as to prevent the passage of a 21-inch-diameter (533 mm) sphere and shall comply with the loading requirements for guards specified in the *International Building Code*.

(Reason: To assure safe access to roof appliances. Consistent with IMC amendments.)

****Section 401.5; add a second paragraph to read as follows:**

Both ends of each section of medium pressure gas piping shall identify its operating gas pressure with an approved tag. The tags are to be composed of aluminum or stainless steel and the following wording shall be stamped into the tag:

"WARNING
1/2 to 5 psi gas pressure
Do Not Remove"

(Reason: To protect homeowners and plumbers.)

****Section 404.12; change to read as follows:**

404.12 Minimum burial depth. Underground piping systems shall be installed a minimum depth of ~~42~~ 18 inches (~~305~~ 458 mm) top of pipe below grade, ~~except as provided for in Section 404.12.1.~~

404.12.1 Delete in its entirety

(Reason: To provide increased protection to piping systems and address reference number change.)

****Section 406.4; change to read as follows:**

406.4 Test pressure measurement. Test pressure shall be measured with a monometer or with a pressure-measuring device designed and calibrated to read, record, or indicate a pressure loss caused by leakage during the pressure test period. The source of pressure shall be isolated before the pressure tests are made. ~~Mechanical gauges used to measure test pressures shall have a range such that the highest end of the scale is not greater than five times the test pressure.~~

(Reason: To require the use of more accurate diaphragm gauges. Spring gauges do not provide accurate measurement below approximately 17 psig.)

****Section 406.4.1; change to read as follows:**

406.4.1 Test pressure. The test pressure to be used shall be no less than ~~4 1/2 times the proposed maximum working pressure, but no less than 3~~ 3 psig (20 kPa gauge), or at the discretion of the Code Official, the piping and valves may be tested at a pressure of at least six (6) inches (152 mm) of mercury, measured with a manometer or slope gauge, ~~irrespective of design pressure. Where the test pressure exceeds 125 psig (862 kPa gauge), the test pressure shall not exceed a value that produces a hoop stress in the piping greater than 50 percent of the specified minimum yield strength of the pipe.~~ For tests requiring a pressure of 3 psig, diaphragm gauges shall utilize a dial with a minimum diameter of three- and one-half inches (3 1/2"), a set hand, 1/10-pound incrementation and pressure range not to exceed 6 psi for tests requiring a pressure of 3 psig. For tests requiring a pressure of 10 psig, diaphragm gauges shall utilize a dial with a minimum diameter of three and one-half inches (3 1/2"), a set hand, a minimum of 2/10 pound incrementation and a pressure range not to exceed 20 psi. For welded piping, and for piping carrying gas at pressures in excess of fourteen (14) inches water column pressure (3.48 kPa) (1/2 psi) and less than 200 inches of water column pressure (52.2 kPa) (7.5 psi), the test pressure shall not be less than ten (10) pounds per square inch (69.6 kPa). For piping carrying gas at a pressure that exceeds 200 inches of water column (52.2 kPa) (7.5 psi), the test pressure shall be not less than one and one-half times the proposed maximum working pressure.

Diaphragm gauges used for testing must display a current calibration and be in good working condition. The appropriate test must be applied to the diaphragm gauge used for testing.

(Reason: To provide for lesser pressures to coordinate with the use of more accurate diaphragm gauges.)

****Section 409.1; add Section 409.1.4 to read as follows:**

409.1.4 Valves in CSST installations. Shutoff valves installed with corrugated stainless steel (CSST) piping systems shall be supported with an approved termination fitting, or equivalent support, suitable for the size of the valves, of adequate strength and quality, and located at intervals so as to prevent or damp out excessive vibration but in no case greater than 12-inches from the center of the valve. Supports shall be installed so as not to interfere with the free expansion and contraction of the system's piping, fittings, and valves between anchors. All valves and supports shall be designed and installed so they will not be disengaged by movement of the supporting piping.

(Reason: To provide proper security to CSST valves. These standards were established in this region in 1999 when CSST was an emerging technology.)

****Section 410.1; add a second paragraph and exception to read as follows:**

Access to regulators shall comply with the requirements for access to appliances as specified in Section 306.

Exception: A passageway or level service space is not required when the regulator is capable of being serviced and removed through the required attic opening.

(Reason: To require adequate access to regulators.)

****Section 621.2; add exception as follows:**

621.2 Prohibited use. One or more unvented room heaters shall not be used as the sole source of comfort heating in a dwelling unit.

Exception: Existing approved unvented heaters may continue to be used in dwelling units, in accordance with the code provisions in effect when installed, when approved by the Code Official unless an unsafe condition is determined to exist as described in Section 108.7.

(Reason: Gives code official discretion.)

END

Attachment F



North Central Texas
Council of Governments

Recommended Amendments to the 2018 International Energy Conservation Code And the energy provisions of the 2018 International Residential Code North Central Texas Council of Governments Region (Climate Zone 3 of the IECC)

The following sections, paragraphs, and sentences of the *2018 International Energy Conservation Code* (IECC) are hereby amended as follows: Standard type is text from the IECC. Underlined type is text inserted. ~~Lined through type is deleted text from IECC.~~ A double (**) asterisk at the beginning of a section identifies an amendment carried over from the 2015 edition of the code and a triple (***) asterisk identifies a new or revised amendment with the 2018 code. Section numbers in parenthesis represent the corresponding numbers of the energy provisions of the 2018 *International Residential Code* for parallel amendments.

2018 IECC (Energy Provisions of the 2018 IRC)

****Section C102/R102 General; add Section C102.1.2 and R102.1.2 (N1101.4.1) to read as follows:**

C102.1.2 Alternative compliance. A building certified by a national, state, or local accredited energy efficiency program and determined by the Energy Systems Laboratory to be in compliance with the energy efficiency requirements of this section may, at the option of the Code Official, be considered in compliance. The United States Environmental Protection Agency's Energy Star Program certification of energy code equivalency shall be considered in compliance.

R102.1.2 (N1101.4.1) Alternative compliance. A building certified by a national, state, or local accredited energy efficiency program and determined by the Energy Systems Laboratory to be in compliance with the energy efficiency requirements of this section may, at the option of the Code Official, be considered in compliance. The United States Environmental Protection Agency's Energy Star Program certification of energy code equivalency shall be considered in compliance. Regardless of the program or the path to compliance, each 1- and 2-family dwelling shall be tested for air and duct leakage as prescribed in Section R402.4.1.2 (N1102.4.1.2) and R403.3.3 (N1103.3.3) respectively.

(Reason: This amendment is added to allow alternative compliance in accordance with Texas HB 1365, 78th Legislature. Codified in Chapter 388 Texas Building Energy Performance Standards: §388.003(i). The last sentence to Section R102.1.2 (N1101.4.1) was added to ensure that every house is tested in accordance with the mandatory provisions of the code.)

Section R202 (N1101.6) Definitions; add the following definition:

****PROJECTION FACTOR.** The ratio of the horizontal depth of the overhang, eave or permanently attached shading device, divided by the distance measured vertically from the bottom of the fenestration glazing to the underside of the overhang, eave or permanently attached shading device.

*(Reason: The amendment to **Section 402.3.2 (N1102.3.2) Glazed fenestration SHGC** was proposed by the TAB. ESL determined the proposal to be not less restrictive than the 2015 IECC. This added definition is necessary as part of that amendment. The amendment will provide additional options for SHGC selection.)*

Section R202 (N1101.6) Definitions; add the following definition:

****DYNAMIC GLAZING.** Any fenestration product that has the fully reversible ability to change its performance properties, including *U*-factor, solar heat gain coefficient (SHGC), or visible transmittance (VT).

(Reason: This term is referenced in Section R402.3.2. This definition of DYNAMIC GLAZING is also found in the Commercial provisions of the code.)

[Remainder of page intentionally left blank.]

***Table 402.1.2 (N1102.1.2) INSULATION AND FENESTRATION REQUIREMENTS BY COMPONENT; the Fenestration U-factor for Climate Zone 3 is amended as follows:

CLIMATE ZONE	FENESTRATION U-FACTOR
3	0.32 0.35

(Reason: Carries forward the value in the 2015 IECC/IRC.)

***Table 402.1.4 (N1102.1.4) EQUIVALENT U-FACTORS; the Fenestration U-factor for Climate Zone 3 is amended as follows:

CLIMATE ZONE	FENESTRATION U-FACTOR
3	0.32 0.35

(Reason: Carries forward the value in the 2015 IECC/IRC.)

**Section R402.3.2 (N1102.3.2) Glazed fenestration SHGC; amend by adding a paragraph and table following the exception to read as follows:

Where vertical fenestration is shaded by an overhang, eave, or permanently attached shading device, the SHGC required in Table R402.1.2 shall be reduced by using the multipliers in Table R402.3.2 SHGC Multipliers for Permanent Projections.

Table R402.3.2 SHGC Multipliers for Permanent Projections^a

Projection Factor	SHGC Multiplier (all Other Orientation)	SHGC Multiplier (North Oriented)
0 - 0.10	1.00	1.00
>0.10 – 0.20	0.91	0.95
>0.20 – 0.30	0.82	0.91
>0.30 – 0.40	0.74	0.87
>0.40 – 0.50	0.67	0.84
>0.50 – 0.60	0.61	0.81
>0.60 – 0.70	0.56	0.78
>0.70 – 0.80	0.51	0.76
>0.80 – 0.90	0.47	0.75
>0.90 – 1.00	0.44	0.73

^a North oriented means within 45 degrees of true north.

(Reason: The amendment to **Section 402.3.2 Glazed fenestration SHGC** was proposed by the TAB and ESL determined the proposal to be not less restrictive than the 2015 IECC. This added definition is necessary as part of that amendment. The amendment will provide additional options for SHGC selection.)

**R402.4.1.2 (N1102.4.1.2) Testing; add a last paragraph to read as follows:

Mandatory testing shall only be performed by individuals that are certified to perform air infiltration testing certified by national or state organizations as approved by the building official. The certified individuals must be an independent third-party entity, and may not be employed; or have any financial interest in the company that constructs the structure.

(Reason: The 2018 International Residential Code (IRC) and International Energy Conservation Code (IECC) includes enhanced emphasis on envelope infiltration and duct leakage. Significant changes in the residential energy requirements include more frequent requirement of performance testing for leakage. Residential Duct systems must be tested unless all ducts and equipment are located within the conditioned space. Envelope testing is required to demonstrate compliance with maximum allowable leakage rate. This language puts the regulatory authority on notice that the testing requires specialized credentials and establishes a conflict of interest baseline.)

***Section R402.4 (N1102.4) Air leakage (Mandatory); add a new section and table to read as follows:

R402.4.1.3 (N1102.4.1.3) Testing option – ACH tradeoff. As an option to the air leakage rate set out in Section R402.4.1.2 (N1102.4.1.2), 1- and 2-family homes meeting all of the listed criteria below and the *thermal envelope* requirements in Table R402.4.1.3 (N1102.4.1.3) will be considered compliant when tested and verified as having an air leakage rate to not less than or equal to four air changes per hour when tested and reported in accordance with the testing standards and reporting criteria listed in Section R402.4.1.2 (N1102.4.1.2).

The compliance equivalency is limited as follows:

1. Limited to a conditioned floor area between 1,000 and 6,000 square feet,
2. Limited to between 2 to 6 bedrooms,
3. Assumes all ductwork and mechanical equipment is located in the unconditioned attic,

4. Assumes typical wood framing in the walls and roof, and
5. Assumes one of the following heating/cooling systems:
 - a. All electric system with a heat pump for heating, or
 - b. A system with electric cooling and natural gas heating.

Dwellings using electric resistance strip heating do not qualify for this tradeoff.

TABLE R402.4.1.3 (N1102.4.1.3)^a

Envelope Component	Option #1	Option #2
R402.4 Air Leakage	≤ 4 ACH50	≤ 4 ACH50
Wall Insulation <i>R</i> -value	R13 + R3 ^b	R13 + R3 ^b
Fenestration <i>U</i> -factor	≤ 0.32	≤ 0.32
Fenestration SHGC	≤ 0.25	≤ 0.25
Ceiling <i>R</i> -value	≥ R49	≥ R49
Duct Insulation <i>R</i> -value	R8	R6
Radiant Barrier Required	No	Yes

^a Except for the values listed in the table, all other mandatory code provisions are applicable.

^b The first value listed is the *R*-value of cavity insulation, the second value is the *R*-value of the continuous insulation or insulated siding.

(Reason: This provides a viable option to the single-family residential builder. The Energy Systems Laboratory determined that this tradeoff option to be not less stringent than the residential provisions of the 2015 IECC and the energy provisions of the 2015 IRC.)

***** Section R402.4 Air leakage (Mandatory); add a new section to read as follows:**

R402.4.1.4 Testing options for R2 multifamily dwelling units. As an option to the air leakage rate set out in Section R402.4.1.2, multifamily dwelling units will be considered compliant when tested and verified as having an air leakage rate to the air leakage rate set out in either Section R402.4.1.4.1 or Section R402.4.1.4.2 when tested and reported in accordance with the testing standards and reporting criteria listed in Section R402.4.1.2

R402.4.1.4.1 Total air leakage rate for interior multifamily dwelling units. Interior multifamily dwelling units with a measured, “unguarded” total air leakage result of 5.3 ACH50 or less shall be considered compliant.

R402.4.1.4.2 Total air leakage rate for corner multifamily dwelling units. Corner multifamily units with a measured, “unguarded” total leakage result of less than 5.0 ACH50 shall be considered compliant.

(Reason: The Mandatory Section R402.4 Air Leakage of the 2015 IECC requires that the building thermal envelope be tested and verified in accordance with R402.4.1.2. Measuring air leakage for multifamily buildings or dwelling units using an air leakage to outside test (i.e. guarded) can be costly and time prohibitive. This is because in order to isolate leakage only through the building thermal envelope, all leakage to adjacent units through adiabatic surfaces must be pressure neutralized. The methodology below therefore allows for the use of total air leakage testing for multifamily dwelling units that includes air leakage to the exterior and to adjacent units (i.e. unguarded) to show compliance with R402.4.1.2. This increases the flexibility of the code without affecting stringency. This methodology has been approved for use by ESL, and the methodology applies only to jurisdictions in the NCTCOG area.)

***** Section R402.4 Air leakage (Mandatory); add a new section to read as follows:**

R402.4.1.5 Sampling options for R2 multifamily dwelling units. For buildings having three or more

dwelling units, a minimum of 15% of the dwelling units in each building must be tested as required by Section R402.4.1.2. Prior to beginning sampling for testing, “Initial Testing” is required for each multifamily property. “Initial Testing” shall consist of the 3rd party testing contractor performing the required tests on at least three consecutive dwelling units. Test results from the “Initial Testing” must satisfy minimum code requirements before sampling is permitted. Dwelling units selected for the “Initial Testing” must be within the same building. Dwelling units selected for “Initial Testing” shall not be included in a “sample group” or counted toward the minimum 15% of dwelling units tested. The building official shall randomly select the three dwelling units for “Initial Testing.” The building official may delegate the random selection to the designated 3rd party testing contractor.

R402.4.1.5.1 Sample group Identification and Sampling. The builder shall identify a “sample group” which may be a building, floor, fire area or portion thereof. All of the dwelling units within the “sample group” must be at the same stage of construction and must be ready for testing. The building official shall randomly select at least 15% of dwelling units from each “sample group” for testing. The building official may delegate the random selection to the designated 3rd party testing contractor.

If each tested dwelling unit within a “sample group” meets the minimum code requirements, then all dwelling units in the “sample group” are considered to meet the minimum code requirements.

Before a building may be deemed compliant with the testing as required, each “sample group” must be deemed compliant with the minimum code requirements. The sum total of all of the tested dwelling units across all “sample groups” shall not be less than a minimum of 15% of the dwelling units in a building.

R402.4.1.5.2 Failure to Meet Code Requirement(s). If any dwelling units within the identified “sample group” fail to meet a code requirement as determined by testing, the builder will be directed to correct the cause(s) of failure, and 30% of the remaining dwelling units in the “sample group” will be randomly selected for testing by the building official, or third-party testing contractor, regarding the specific cause(s) of failure.

If any failures occur in the additional dwelling units, all remaining dwelling units in the sample group must be individually tested for code compliance.

A multifamily property with three failures within a 90-day period is no longer eligible to use the sampling protocol in that community or project until successfully repeating "Initial Testing." Sampling may be reinstated after at least three consecutive dwelling units are individually verified to meet all code requirements.

A Certificate of Occupancy may not may be issued for any building until testing has been performed and deemed to satisfy the minimum code requirements on the dwelling unit(s) identified for testing.

(Reason: For many multifamily (R2 classifications) projects, it is very costly and time consuming to test each dwelling unit for projects where there may be dozens of dwelling units in each building. Considering that the same tradesman generally constructs a building, it is reasonable to deem that construction practices are consistent and that if a reasonable sampling of units tested pass then all units would pass. These amendments are very similar to other ordinances/policies from Austin and San Antonio.)

**** R403.3.3 (N1103.3.3) Duct Testing (Mandatory); add a last paragraph to read as follows:**

Mandatory testing shall only be performed by individuals that are certified to perform duct testing leakage testing certified by national or state organizations as approved by the building official. The certified individuals must be an independent third-party entity, and may not be employed; or have any financial interest in the company that constructs the structure.

(Reason: The 2015 International Residential Code (IRC) and International Energy Conservation Code (IECC) includes enhanced emphasis on envelope infiltration and duct leakage. Significant changes in the residential energy requirements include more frequent requirement of performance testing for leakage. Residential Duct systems must be tested unless all ducts and equipment are located within the conditioned space. Envelope testing is required to demonstrate compliance with maximum allowable leakage rate. This language puts the regulatory authority on notice that the testing requires specialized credentials and establishes a conflict of interest baseline).

***** Section R403.3 Ducts; add a new section to read as follows:**

R403.3.4.1 Sampling options for R2 multifamily dwelling units. For buildings having three or more dwelling units, a minimum of 15% of the dwelling units in each building must be tested as required by Section R403.3.3. Prior to beginning sampling for testing, “Initial Testing” is required for each multifamily property. “Initial Testing” shall consist of the 3rd party testing contractor performing the required tests on at least three consecutive dwelling units. Test results from the “Initial Testing” must satisfy minimum code requirements before sampling is permitted. Dwelling units selected for the “Initial Testing” must be within the same building. Dwelling units selected for “Initial Testing” shall not be included in a “sample group” or counted toward the minimum 15% of dwelling units tested. The building official shall randomly select the three dwelling units for “Initial Testing.” The building official may delegate the random selection to the designated 3rd party testing contractor.

R403.3.4.1.1 Sample group Identification and Sampling. The builder shall identify a "sample group" which may be a building, floor, fire area or portion thereof. All of the dwelling units within the “sample group” must be at the same stage of construction and must be ready for testing. The building official shall randomly select at least 15% of dwelling units from each “sample group” for testing. The building official may delegate the random selection to the designated 3rd party testing contractor.

If each tested dwelling unit within a “sample group” meets the minimum code requirements, then all dwelling units in the “sample group” are considered to meet the minimum code requirements.

Before a building may be deemed compliant with the testing as required, each “sample group” must be deemed compliant with the minimum code requirements. The sum total of all of the tested dwelling units across all “sample groups” shall not be less than a minimum of 15% of the dwelling units in a building.

R403.3.4.1.2 Failure to Meet Code Requirement(s). If any dwelling units within the identified "sample group" fail to meet a code requirement as determined by testing, the builder will be directed to correct the cause(s) of failure, and 30% of the remaining dwelling units in the "sample group" will be randomly selected for testing by the building official, or third-party testing contractor, regarding the specific cause(s) of failure.

If any failures occur in the additional dwelling units, all remaining dwelling units in the sample group must be individually tested for code compliance.

A multifamily property with three failures within a 90-day period is no longer eligible to use the sampling protocol in that community or project until successfully repeating "Initial Testing." Sampling may be reinstated after at least three consecutive dwelling units are individually verified to meet all code requirements.

A Certificate of Occupancy may not may be issued for any building until testing has been performed and deemed to satisfy the minimum code requirements on the dwelling unit(s) identified for testing.

(Reason: For many multifamily (R2 classifications) projects, it is very costly and time consuming to test each dwelling unit for projects where there may be dozens of dwelling units in each building. Considering that the same tradesman generally constructs a building, it is reasonable to deem that construction practices are consistent and that if a reasonable sampling of units tested pass then all units would pass. These amendments are very similar to other ordinances/policies from Austin and San Antonio.)

****Section C402.2/R402.2 (N1102.2) Specific insulation requirements (Prescriptive); add Section C402.2.8 and R402.2.14 (N1102.2.14) to read as follows:**

Section C402.2.8/R402.2.14 (N1102.2.14) Insulation installed in walls. Insulation installed in walls shall be totally enclosed on all sides consisting of framing lumber, gypsum, sheathing, wood structural panel sheathing or other equivalent material approved by the building official.

(Reason: This will increase the performance of the insulation.)

*****Section C403.7.4 Energy recovery ventilation systems (Mandatory); add exception #12 to read as follows:**

12. Individual ventilation systems that serve an individual dwelling unit or sleeping unit.

(Reason: This will clarify the intent of the section without requiring the user or the code official to analyze the numbers in the table. So a ventilation system that serves only an individual dwelling unit or sleeping unit does not require an energy recovery system.)

*****Section C403.11.1 Duct and Plenum Insulation and Sealing (Mandatory); is amended by adding a second paragraph to read as follows:**

Environmental ducts and plenums installed in vertical chases, both supply and exhaust, where the ducts or plenums will not be accessible after construction completion, shall be leak tested in accordance with the SMACNA HVAC Air Leakage Test Manual to the installed ductwork class and pressure requirements.

Documentation shall be furnished demonstrating that representative sections totaling not less than 25 percent of the duct area have been tested and that all tested sections comply with the requirements of this section.

(Reason: Ductwork installed in chases is not accessible after construction completion. Leakage in these ducts will increase the energy use of the buildings and systems for the life of the building and reduce the system performance. Since the leakage in the chase enclosed ductwork would be difficult if not impossible to locate and correct, testing at the time of installation would assure that the ducts are properly installed and efficient.)

*****Section R404.1 (N1104.1); revised in its entirety to read as follows:**

Section R404.1 (N1104.1) Lighting equipment (Mandatory). Not less than 75 percent of the lamps in permanently installed lighting fixtures or not less than 75 percent of the permanently installed lighting fixtures shall contain only high-efficacy lamps.

(Reason: This retains the 2015 language will allows for more flexibility.)

****Section 405.2 (N1105.2); add the exception to read as follows:**

Section 405.2 (N1105.2) Mandatory requirements. Compliance with the section requires that the mandatory provisions identified in Section 401.2 be met. Supply and return ducts not completely inside the building thermal envelope shall be insulated to an R-value of not less than R-6.

Exceptions:

1. For one- and two-family dwellings the maximum envelope leakage of 4 ACH50 is permitted provided the envelope leakage in the Standard Reference Design is 3 ACH50 and all other requirements of Section R405 are met, including all other mandatory measures. The annual

energy cost or source energy usage of the Proposed Design must be equal to or less than that of the Standard Reference Design.

2. For multifamily or townhomes and buildings classified as Group R2 and Group R4 of three stories or less the maximum envelope leakage of less than 5 ACH50 is permitted provided the envelope leakage in the Standard Reference Design is 3 ACH50 and all other requirements of Section R405 are met, including all other mandatory measures. The annual energy cost or source energy usage of the Proposed Design must be equal to or less than that of the Standard Reference Design.

(Reason: This ACH tradeoff is approved by ESL and will require additional energy efficiencies to be implemented. This tradeoff is incorporated in ESL's IC3 Code Compliance Calculator as the 2015 NCTCOG path in the code drop down menu. Builders using IC3 will receive a code compliant notification if their designs meet the requirements of this tradeoff and all other energy code requirements. Other compliance software products have not incorporated this tradeoff into their compliance reports. Building Officials receiving Section R405 submittals from software other than IC3 may approve a R405 compliance report that designates the building as not in compliance due to noncompliance with the 3 ACH50 envelope leakage mandatory measure, provided the report also states that the envelope leakage is no greater than 4 ACH50 for single family homes. REScheck™ does not have the flexibility to accommodate this tradeoff.)

****Section R405.6.2 (N1105.6.2); add the following sentence to the end of paragraph:**

Acceptable performance software simulation tools may include, but are not limited to, REM Rate™; Energy Gauge®; ICF International Beacon Residential; Ekotrope, HERS Module; Right-Energy HERS and IC3. Other performance software programs as listed by RESNET® and having the ability to provide a report as outlined in R405.4.2 may also be deemed acceptable performance simulation programs and may be considered by the building official.

(Reason: These performance software tools are listed by RESNET at the time of recommendation.)

*****Section C405.9. Voltage drop in feeders; deleted in its entirety.**

(Reason: There are similar provisions in the NEC where this type of requirement is best managed.)

****TABLE R406.4 (N1106.4) MAXIMUM ENERGY RATING INDEX; amend to read as follows:**

**TABLE R406.4 (N1106.4)¹
MAXIMUM ENERGY RATING INDEX**

CLIMATE ZONE	ENERGY RATING INDEX
3	65

¹ This table is effective until August 31, 2019.

**TABLE R406.4 (N1106.4)²
MAXIMUM ENERGY RATING INDEX**

CLIMATE ZONE	ENERGY RATING INDEX
3	63

² The table is effective from September 1, 2019 to August 31, 2022.

**TABLE R406.4 (N1106.4)³
MAXIMUM ENERGY RATING INDEX**

CLIMATE ZONE	ENERGY RATING INDEX
3	59

³ This table is effective on or after September 1, 2022.

(Reason: The tables reflect the values and time table set forth in HB1736, 84th Regular Session Codified in Chapter 388 Texas Building Energy Performance Standards: §388.003.)

*****Section C408.3.1 Functional Testing; amend to read as follows:**

C408.3.1 Functional Testing. Prior to passing final inspection, the *registered design professional or approved agency* shall provide evidence that the lighting control systems have been tested to ensure that control hardware and software are calibrated, adjusted, programmed, and in proper working condition in accordance with the *construction documents* and manufacturer's instructions. Functional testing shall be in accordance with Sections C408.3.1.1 through C408.3.1.3 for the applicable control type.

(Reason: The addition of 'or approved agency' will make the lighting systems requirements match the mechanical system requirements in C 408.2.1. This will facilitate and add flexibility to the enforcement of the commissioning requirements.)

END

Attachment G



North Central Texas
Council of Governments

Recommended Regional Amendments to the 2018 International Swimming Pool and Spa Code North Central Texas Council of Governments Region

The following sections, paragraphs, and sentences of the *2018 International Swimming Pool and Spa Code* are hereby amended as follows: Standard type is text from the ISPSC. Underlined type is text inserted. Lined through type is deleted text from ISPSC. A triple asterisk (***) identifies a new or revised amendment with the 2018 ISPSC code.

****Section 102.9; Change to read as follows:**

Section 102.9 Other laws. The provisions of this code shall not be deemed to nullify any provisions of local, state or federal law, to include but not limited to:

1. Texas Department of State Health Services (TDSHS); *Standards for Public Pools and Spas*; §265.181 through §265.208, (TDSHS rules do not apply to pools serving one- and two-family dwellings or townhouses).
2. Texas Department of Licensing and Regulation (TDLR); *2012 Texas Accessibility Standards (TAS)*, TAS provide the scoping and technical requirements for accessibility for Swimming Pool, wading pools and spas and shall comply with *2012 TAS, Section 242*. (TAS rules do not apply to pools serving one- and two-family dwellings or townhouses).

Exception: Elements regulated under Texas Department of Licensing and Regulation (TDLR) and built in accordance with TDLR approved plans, including any variances or waivers granted by the TDLR, shall be deemed to be in compliance with the requirements of this Chapter.

(Reason: To clarify specific Texas statutes which regulate public pools and spas.)

****Section 103.1; Change to read as follows:**

Section 103.1 Creation of enforcement agency. ~~The Department of Building Safety~~ **[INSERT OFFICIAL BUILDING DEPARTMENT NAME OF JURISDICTION]** is hereby created and the official in charge thereof shall be known as the *code official*. **[INSERT HEALTH DEPARTMENT NAME OF JURISDICTION]** is hereby created and the official in charge thereof shall be known as the *code official* for operation and maintenance of any public swimming pool in accordance this code, local and state law.

(Reason: Reminder to be sure ordinance reads the same as designed by the City & the operation of public pools is enforced through the City's appropriate department procedure.)

****Section 107.4; Delete entirely (covered by general provisions in Code of Ordinances):**

(Reason: Covered by general provisions of the Code of Ordinances.)

****107.5; Change to read as follows:**

107.5 Stop work orders. Upon notice from the code official, work on any system that is being done contrary to the provisions of this code or in a dangerous or unsafe manner shall immediately cease. Such notice shall be in writing and shall be given to the owner of the property, or to the owner's agent, or to the person doing the work. The notice shall state the conditions under which work is authorized to resume. Where an emergency exists, the code official shall not be required to give a written notice prior to

stopping the work. Any person who shall continue any work in or about the structure after having been served with a stop work order, except such work as that person is directed to perform to remove a violation or unsafe condition, shall be in violation of this code. ~~liable to a fine of not less than [AMOUNT] dollars or more than [AMOUNT] dollars.~~

(Reason: Covered by general provisions of the Municipal Code of Ordinances.)

****Section 202; DEFINITIONS; insert definition; change to read as follows:**

[INSERT HEALTH DEPARTMENT NAME OF JURISDICTION]; [INSERT HEALTH DEPARTMENT NAME OF JURISDICTION] regulates the operation of public pools. Routine inspections on pools and spas open to the public are conducted to document compliance with the standards set forth in State law.

(Reason: The operation of public pools is enforced through [INSERT HEALTH DEPARTMENT NAME OF JURISDICTION] procedures.)

***Section 305; Change to read as follows:

305.1 General.

The provisions of this section shall apply to the design of barriers for restricting entry into areas having pools and spas. In one- and two-family dwellings and townhouses, where spas or hot tubs are equipped with a lockable safety cover complying with ASTM F1346 and swimming pools are equipped with a powered safety cover that complies with ASTM F1346, the areas where those spas, hot tubs or pools are located shall not be required to comply with Sections 305.2 through 305.7.

(Reason: To clarify requirements for dwellings and commercial properties and specific Texas statutes which regulate public pools and spas.)

**Section 305.2; Change to read as follows:

305.2 Outdoor swimming pools and spas. Outdoor pools and spas and indoor swimming pools shall be surrounded by a barrier that complies with Sections 305.2.1 through 305.7 and in accordance with the Texas Administrative Code, Texas Health and Safety Code 757 for public pools.

(Reason: To clarify specific Texas statutes which regulate public pools and spas.)

** Add subsection 305.2.7.1; to read as follows:

305.2.7.1 Chain link fencing prohibited. Chain link fencing is not permitted as a barrier in public pools built after January 1, 1994.

(Reason: To clarify specific Texas Health and Safety Code Chapter 757.003 (f).)

**Section 305.4 structure wall as a barrier; Changes as follows:

305.4 Structure wall as a barrier. Where a wall of a dwelling or structure of a one- and two-family dwelling or townhouse or its accessory structure serves as part of a barrier and where doors or windows provide direct access to the pool or spa through that wall, one of the following shall be required:

1. Remainder Unchanged
2. Remainder Unchanged
3. Remainder Unchanged

The wall of a building with windows in accordance with 2018 International Building Code, Section 1030 in Group R2 occupancies shall not be used as part of pool enclosure. Other windows that are part of a pool yard enclosure shall be permanently closed and unable to be opened for public pools.

(Reason: To clarify specific Texas Health and Safety Code Chapter 757.007 & 2015 IBC, Section 1030.)

**Section 305.6; Change to read as follows:

305.6 Natural barriers used in a one- and two-family dwelling or townhouse. In the case where the pool or spa area abuts the edge of a lake or other natural body of water, public access is not permitted or allowed along the shoreline, and required barriers extend to and beyond the water's edge a minimum of eighteen (18) inches, a barrier is not required between the natural body of water shoreline and the pool or spa.

(Reason: Specific Texas statutes do not allow the use of natural barriers in lieu of fencing for public pools per Chapter 757.003).

**Section 307.1.4 Accessibility; Add exception to Section to 307.1.4 as follows:

Exception: Components of projects regulated by and registered with Architectural Barriers Division of Texas Department of Licensing and Regulation shall be deemed to be in compliance with the requirements of this chapter.

(Reason: To accommodate buildings regulated under state law. Further clarified to mean Components that are specifically addressed by TDLR shall be exempt.)

**Section 310; Change to read as follows:

310.1 General. Suction entrapment avoidance for pools and spas shall be provided in accordance with APSP 7 or for public swimming pools in accordance with State of Texas Rules for Public Swimming Pools and Spas, Title 25 TAC Chapter 265 Subchapter L, Rule §265.190.

[Remainder unchanged]

(Reason: To clarify specific Texas statutes which regulate public pools and spas.)

**Section 313.7; Change to read as follows:

313.7 Emergency shutoff switch for spas and hot tubs. An emergency shutoff switch shall be provided to disconnect all power to recirculation and jet system pumps and air blowers. Emergency shutoff switches shall be provided with access; located within sight of pools and spas and located not less than 5 feet (5') horizontally from the inside walls of the pool or spa. A clearly labeled emergency shutoff or control switch for the purpose of stopping the motor(s) that provide power to the recirculation system and jet system shall be installed at a point readily accessible to the users and not less than 1.5 m (5 ft.) away, adjacent to, and within sight of the spa or hot tub. This requirement shall not apply to one- and two-family dwellings and townhouses.

Exception: Onground storable and permanent inground residential swimming pools.

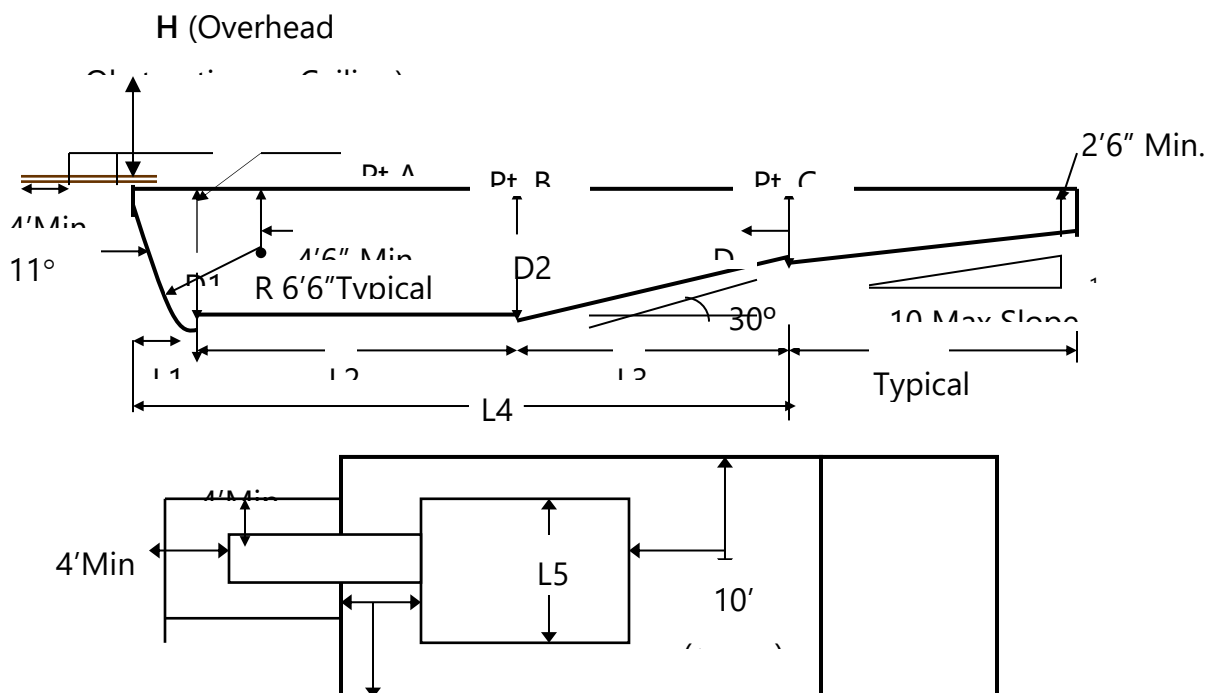
(Reason: Language is from 2017 NEC Article 680.41.)

**** Section 402.12; Change to read as follows:**

402.12 Water envelopes. The minimum diving water envelopes shall be in accordance with Table 402.12—Texas department of State Health services, Administrative Code Title 25, Chapter 265, Section 186 (e) and Figure: 25 TAC 256.186 (e) (6). (Delete Table 402.12 and Figure 402.12)

ADD: Figure: 25 TAC §265.186 (e) (6)

Maximum Diving Board Height Over Water	¾ Meter	1 Meter	3 Meters
Max. Diving Board Length	12 ft.	16 ft.	16 ft.
Minimum Diving Board Overhang	2 ft. 6 in.	5 ft.	5 ft.
D1 Minimum	8 ft. 6 in.	11 ft. 2 in.	12 ft. 2 in.
D2 Minimum	9 ft.	10 ft. 10 in.	11 ft. 10 in.
D3 Minimum	4 ft.	6 ft.	6 ft.
L1 Minimum	4 ft.	5 ft.	5 ft.
L2 Minimum	12 ft.	16 ft. 5 in.	19 ft. 9 in.
L3 Minimum	14 ft. 10 in.	13 ft. 2 in.	13 ft. 11 in.
L4 Minimum	30 ft. 10 in.	34 ft. 7 in.	38 ft. 8 in.
L5 Minimum	8 ft.	10 ft.	13 ft.
H Minimum	16 ft.	16 ft.	16 ft.
From Plummet to Pool Wall at Side	9 ft.	10 ft.	11 ft. 6 in.
From Plummet to Adjacent Plummet	10 ft.	10 ft.	10 ft.



(Reason: To avoid conflict with 25 TAC Chapter 265.)

****Section 402.13; Change to read as follows:**

402.13 Ladders for diving equipment. Ladders shall be provided with two grab rails or two handrails. There shall be a uniform distance between ladder treads, with a 7-inch (178 mm minimum) distance and 12 inch (305 mm) maximum distance. Supports, platforms, steps, and ladders for diving equipment shall be designed to carry the anticipated loads. Steps and ladders shall be of corrosion-resistant material, easily cleanable and with slip-resistant tread;

Exception: The distance between treads for the top and bottom riser can vary.

(Reason: To avoid conflict with 25 TAC Chapter 265.186 (c)(8)(d).)

****Section 411.2.1 & 411.2.2; Change to read as follows:**

411.2.1 Tread dimensions and area. Treads shall have a minimum unobstructed horizontal depth (i.e., horizontal run) of 12 inches and a minimum width of 20 inches. ~~not be less than 24 inches (607mm) at the leading edge. Treads shall have an unobstructed surface area of not less than 240 square inches (154838mm²) and an unobstructed horizontal depth of not less than 10 inches (254 mm) at the center line.~~

411.2.2 Risers. Risers for steps shall have a maximum uniform height of 10 inches, with the bottom riser height allowed to taper to zero ~~except for the bottom riser, shall have a uniform height of not greater than 12 inches (305 mm) measured at the center line. The bottom riser height is allowed to vary to the floor.~~

(Reason: To avoid conflict with 25 TAC Chapter 265.186 (c)(7)(A) & (B).)

****Section 411.5.1 & 411.5.2; Change to read as follows:**

411.5.1 Swimouts. Swimouts, located in either the deep or shallow area of a pool, shall comply with all of the following:

1. Unchanged
2. Unchanged
3. Unchanged
4. The leading edge shall be visibly set apart and provided with a horizontal solid or broken stripe at least 1 inch wide on the top surface along the front leading edge of each step. This stripe shall be plainly visible to persons on the pool deck. The stripe shall be a contrasting color to the background on which it is applied, and the color shall be permanent in nature and shall be a slip-resistant surface

411.5.2 Underwater seats and benches. Underwater seats and benches, whether used alone or in conjunction with pool stairs, shall comply with all of the following:

1. Unchanged
2. Unchanged
3. Unchanged
4. Unchanged
5. The leading edge shall be visually set apart and provided with a horizontal solid or broken stripe at least 1 inch wide on the top surface along the front leading edge of each step. This stripe shall be

plainly visible to persons on the pool deck. The stripe shall be a contrasting color to the background on which it is applied, and the color shall be permanent in nature and shall be a slip-resistant surface.

6. Unchanged
7. Unchanged

(Reason: To avoid conflict with 25 TAC Chapter 265.184 (u) & 265.186 (c)(10).)

****Section 603.2; Change to read as follows:**

603.2 Class D-2 pools. ~~Where a Class D-2 pool has a bather accessible depth greater than 4 1/2 feet (1372 mm), the floor shall have a distinctive marking at the 4 1/2 feet (1372 mm) water depth.~~

Class A and B pools: Class A and B pools over 5 feet deep: the transition point of the pool from the shallow area to the deep area of the pool shall be visually set apart with a 4-inch minimum width row of floor tile, a painted line, or similar means using a color contrasting with the bottom; and a rope and float line shall be provided between 1 foot and 2 feet on the shallow side of the 5-foot depth along and parallel to this depth from one side of the pool to the other side. The floats shall be spaced at not greater than 7-foot intervals; and the floats shall be secured so they will not slide or bunch up. The stretched float line shall be of sufficient size and strength to offer a good handhold and support loads normally imposed by users. If the owner or operator of the pool knows or should have known in the exercise of ordinary care that a rope or float is missing, broken, or defective, the problem shall be promptly remedied

(Reason: To avoid conflict with 25 TAC Chapter 265.199.)

****Section 610.5.1; Change to read:**

610.5.1 Uniform height of 9-10 inches. Except for the bottom riser, risers at the centerline shall have a maximum uniform height of 9-10 inches (229-254 mm). The bottom riser height shall be permitted to vary from the other risers.

(Reason: To avoid conflict with 25 TAC Chapter 265.186 (c)(7)(B).)

*****Section 804 Diving Water Envelopes; Change to read as follows:**

Section 804.1 General. The minimum diving water envelopes shall be in accordance with Table 804.1 and Figure 804.1, or the manufacturer's specifications, whichever is greater. Negative construction tolerances shall not be applied to the dimensions of the minimum diving water envelopes given in Table 804.1.

(Reason: To provide minimum standards and to clarify specific manufactures specifications of the diving equipment.)

END