

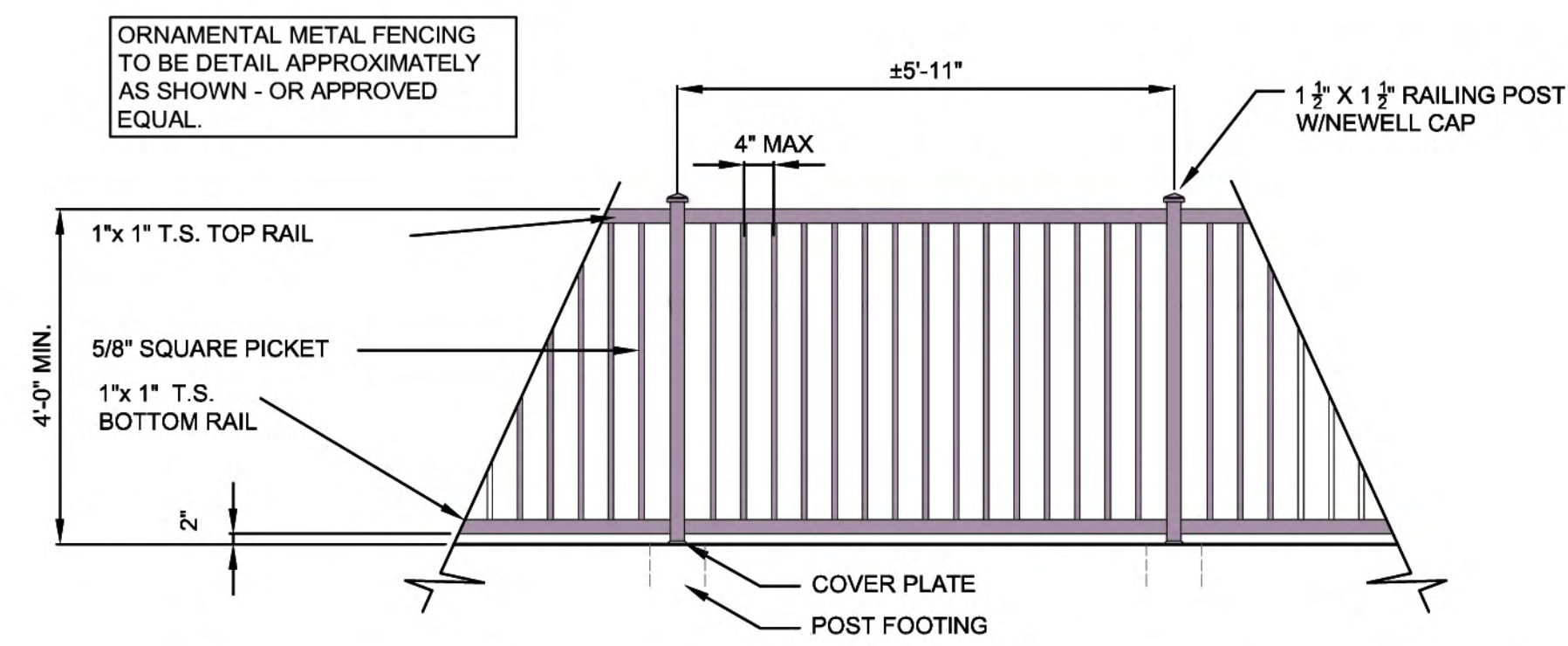
# EMERALD HEIGHTS

Exhibit D

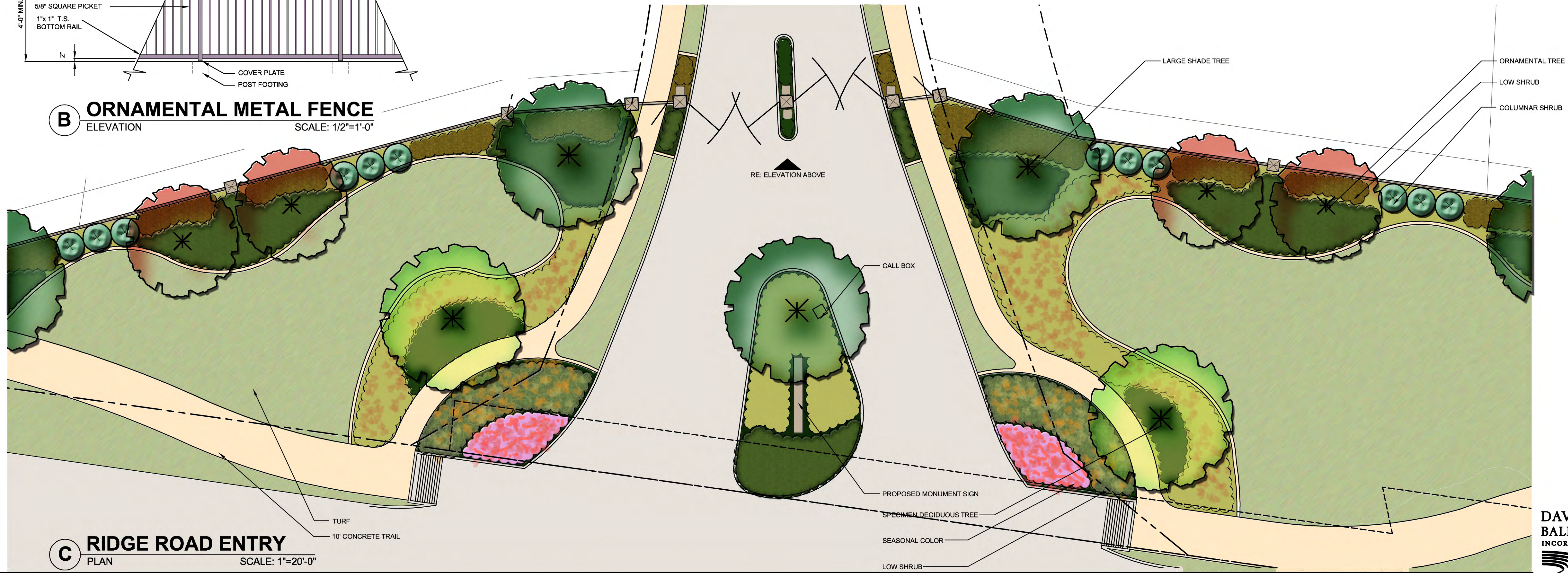
McKINNEY • TEXAS



**A ENTRY GATES**  
ELEVATION SCALE: N.T.S



**B ORNAMENTAL METAL FENCE**  
ELEVATION SCALE: 1/2"=1'-0"

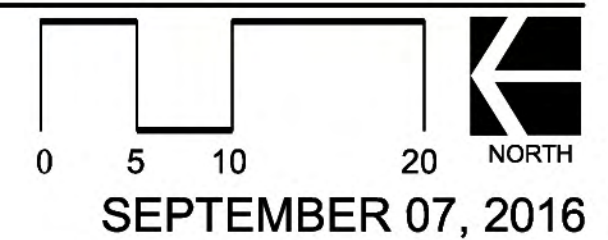


**C RIDGE ROAD ENTRY**  
PLAN SCALE: 1"=20'-0"

PREPARED FOR:  
POINTE LAND & DEVELOPMENT, LLC  
6860 North Dallas Parkway, Suite 200  
Plano, Texas 75024  
Tel: (972) 905-2145  
Fax: (972) 265-7995

LANDSCAPE ARCHITECT:  
DAVID C. BALDWIN INC.  
730 East Park Boulevard, Suite 100  
Plano, TX 75074  
Tel: (972) 509-1266  
Fax: (972) 509-1269

## ENTRANCE EXHIBIT



DAVID C. BALDWIN INCORPORATED  
LANDSCAPE ARCHITECTURE PLANNING  
SEPTEMBER 07, 2016