

DEVELOPER:

TRAMMELL CROW RESIDENTIAL
3889 MAPLE AVENUE, SUITE 200
DALLAS, TX
214.922.8400

KEY MAP

SEAL



May 17 2021 4:26 PM DocuSign

PROJECT

PITTS & COMMUNITY

MCKINNEY, TEXAS

LANDDESIGN PROJ.# 8520115

REVISION / ISSUANCE

NO.	DESCRIPTION	DATE
	SITE PLAN SUBMITTAL	02.26.2021
	SITE PLAN SUBMITTAL	05.18.2021

DESIGNED BY:
DRAWN BY:
CHECKED BY:

SCALE: NORTH
VERT: N/A
HORZ: 1"=40'
0 20 40 80'

REQUIRED PLANTING PLAN

SHEET NUMBER

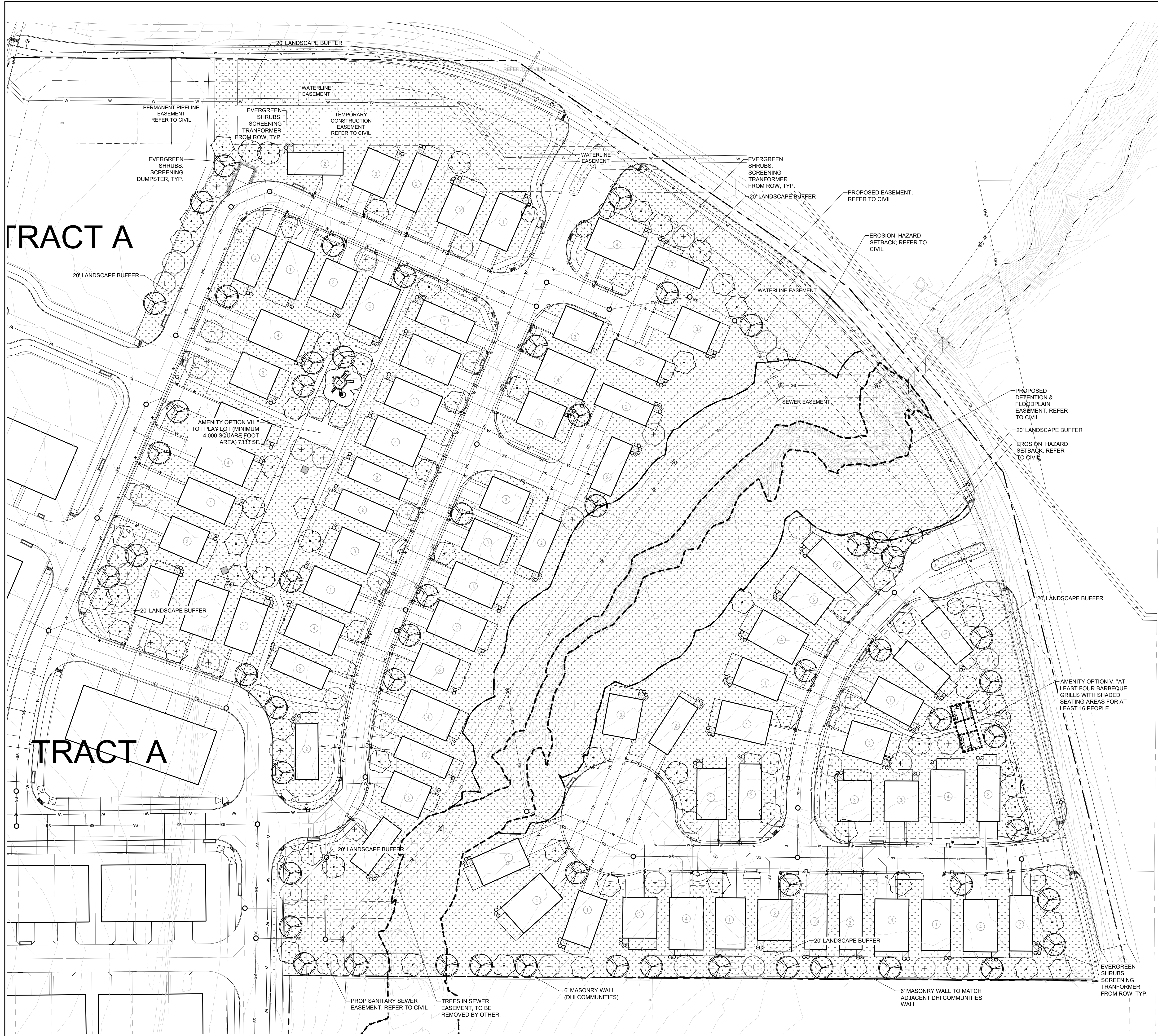
L6-01A

TRACT A

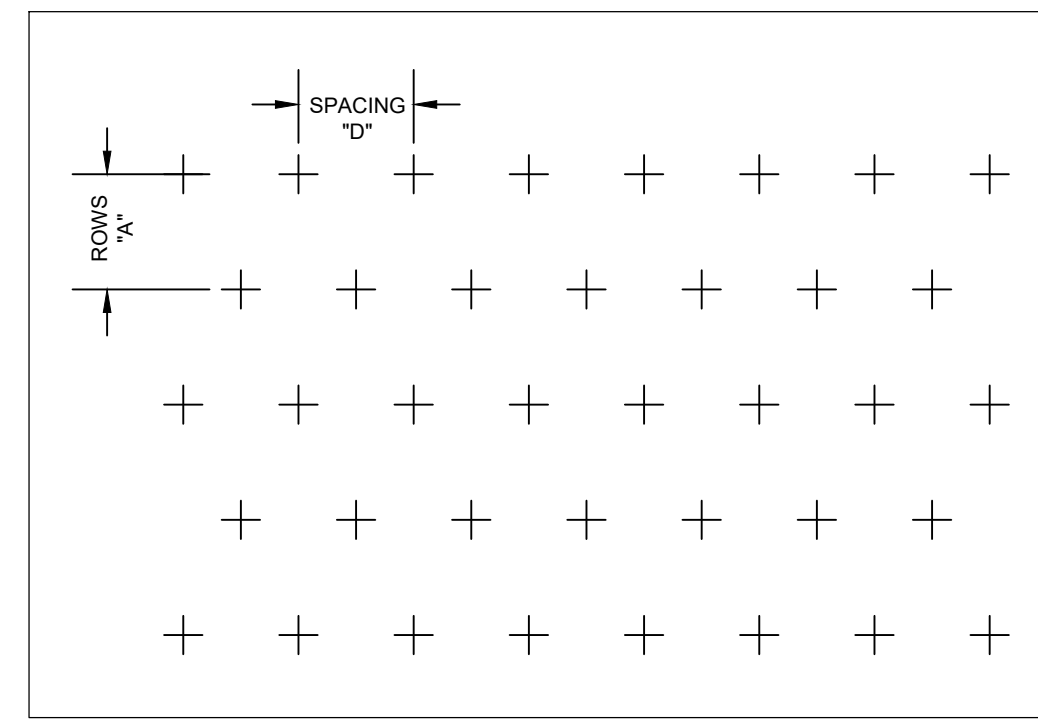
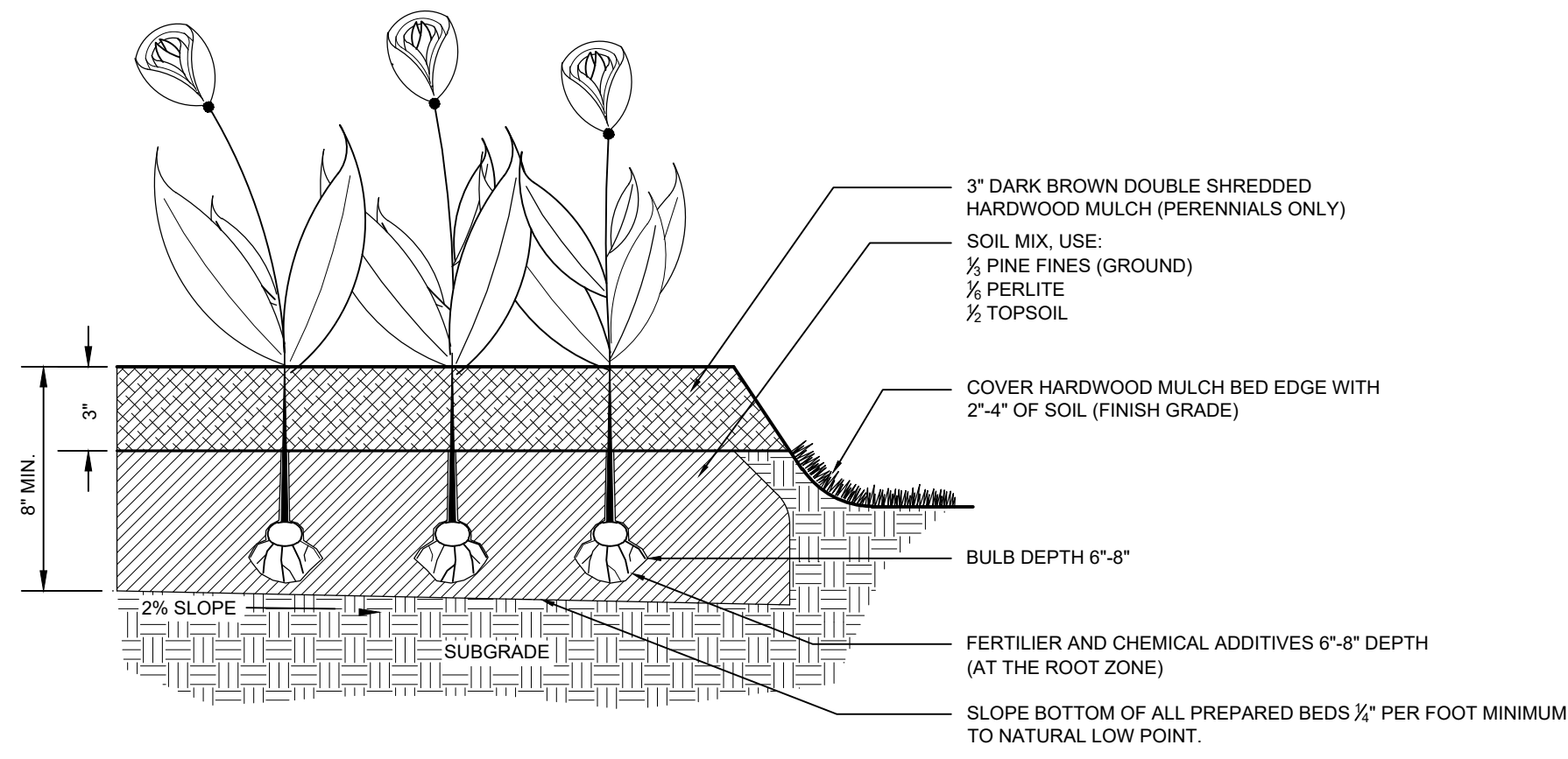
TRACT A

TREES	CODE	BOTANICAL NAME	COMMON NAME
	ACE BUE	Acer buergerianum	Trident Maple
	QUMU	Quercus muehlenbergii	Chinkapin Oak
	QUVI	Quercus virginiana	Southern Live Oak
	ULCR	Ulmus crassifolia	Cedar Elm
	ULM PAR	Ulmus parvifolia	Lacebark Elm
ORNAMENTAL TREES	CODE	BOTANICAL NAME	COMMON NAME
	ILVO	Ilex vomitoria	Yaupon Holly
SHRUBS	CODE	BOTANICAL NAME	COMMON NAME
	ABRC	Abelia x 'Rose Creek'	Rose Creek Abelia
	MYCE	Myrica cerifera	Dwarf Wax Myrtle
GROUND COVERS	CODE	BOTANICAL NAME	COMMON NAME
	SOD	Cynodon dactylon 'Tif 419'	Tif 419 Bermuda Grass

NOTE: ALL REQUIRED LANDSCAPE AREAS SHALL BE PROVIDED WITH AN AUTOMATIC UNDERGROUND IRRIGATION SYSTEM WITH RAIN AND FREEZE SENSORS AND DESIGNED BY A QUALIFIED PROFESSIONAL AND INSTALLED BY A LICENSED IRRIGATOR

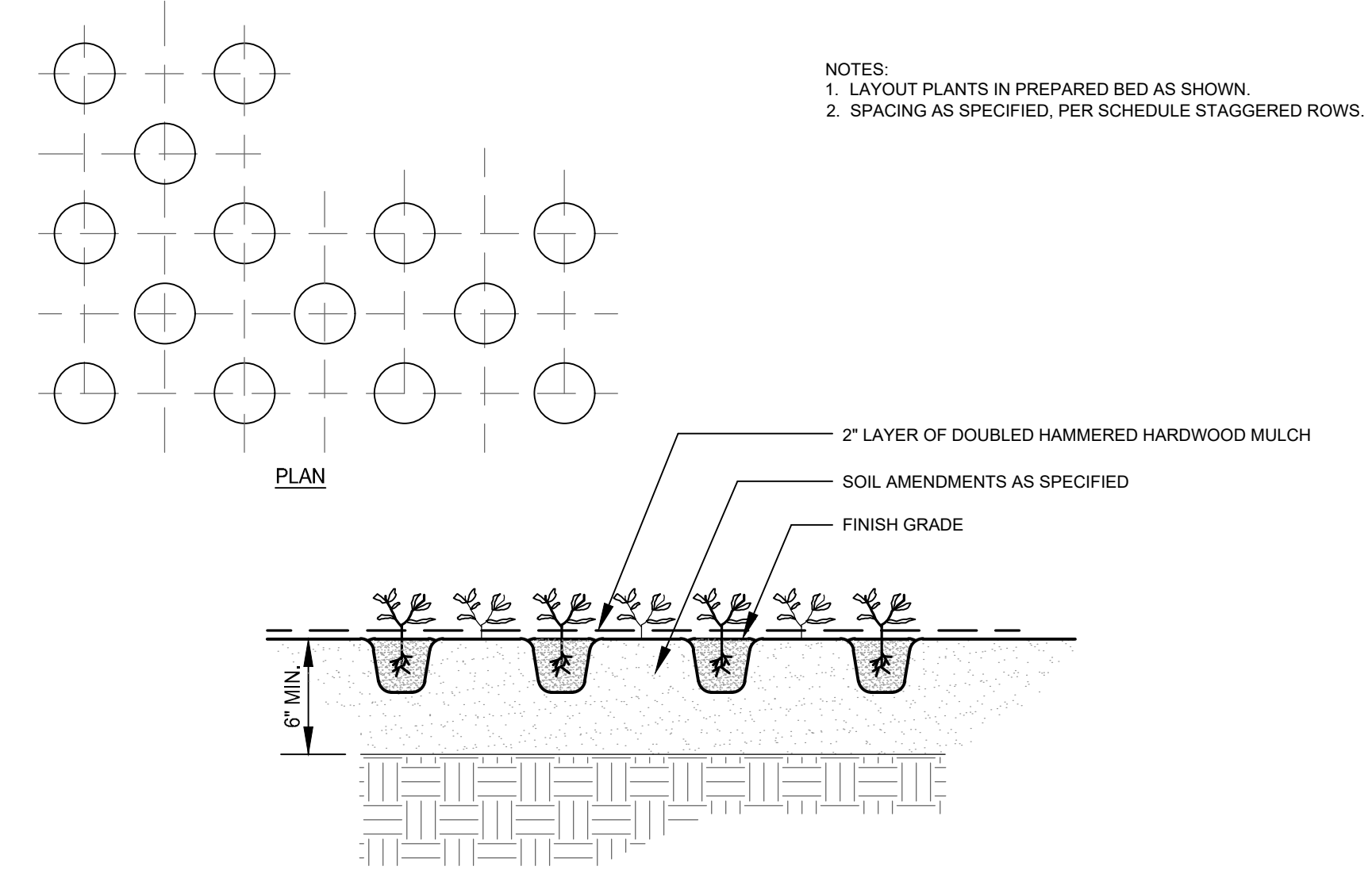


NOTE:
1. MIX IN BONE MEAL AT BOTTOM OF BULB WHEN PLANTED



PLANT SPACING CHART

SPACING "D"	ROW "A"	PLANTS / S.F.
6" O.C.	5 3/16" O.C.	4.61
8" O.C.	6 15/16" O.C.	2.60
10" O.C.	8 23/8" O.C.	1.68
12" O.C.	10 3/8" O.C.	1.15
15" O.C.	13" O.C.	0.73
18" O.C.	15 9/16" O.C.	0.51
24" O.C.	20 13/16" O.C.	0.29

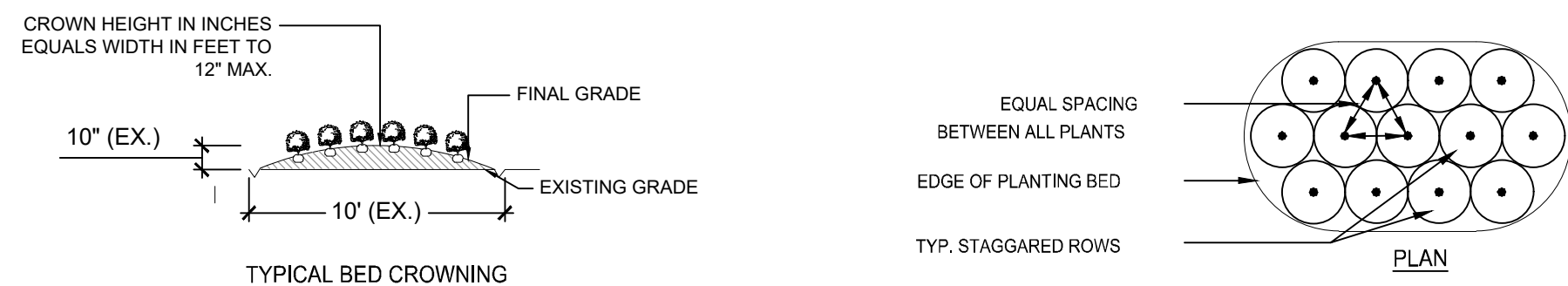
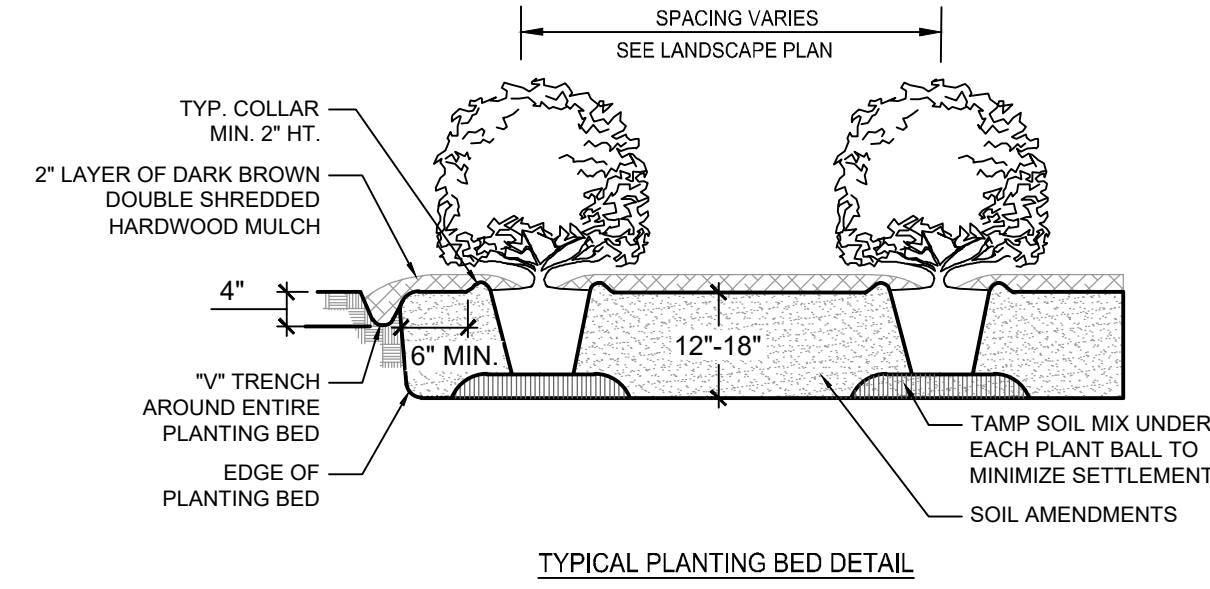


NOTES:
1. LAYOUT PLANTS IN PREPARED BED AS SHOWN.
2. SPACING AS SPECIFIED, PER SCHEDULE STAGGERED ROWS.

1 PLANTING BED FOR ANNUALS AND PERENNIALS

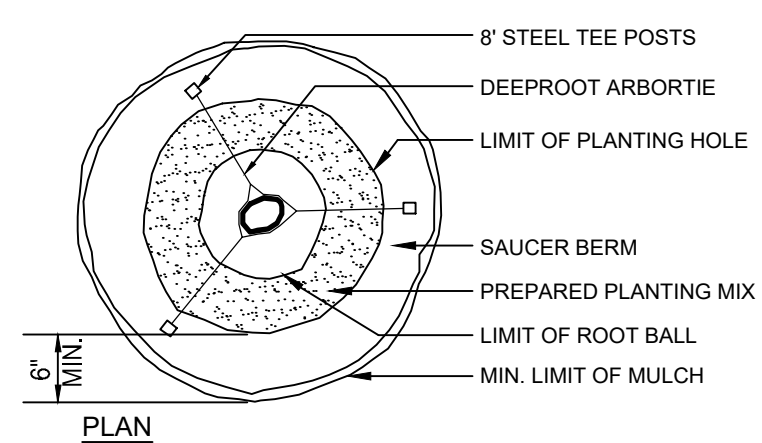
L6-07A SECTION NTS

- NOTES:
1. SCARIFY ROOT MASS OF CONTAINERIZED PLANT MATERIAL.
2. INSTALL CONTAINERIZED PLANTS AT FINISHED GRADE.
3. TAMP PLANTING MIX FIRMLY AS PIT IS FILLED AROUND EACH PLANT BALL.
4. OMIT COLLAR AROUND EACH SHRUB WHEN IRRIGATION SYSTEM IS PRESENT.
5. SOAK EACH PLANT BALL AND PIT IMMEDIATELY AFTER INSTALLATION.

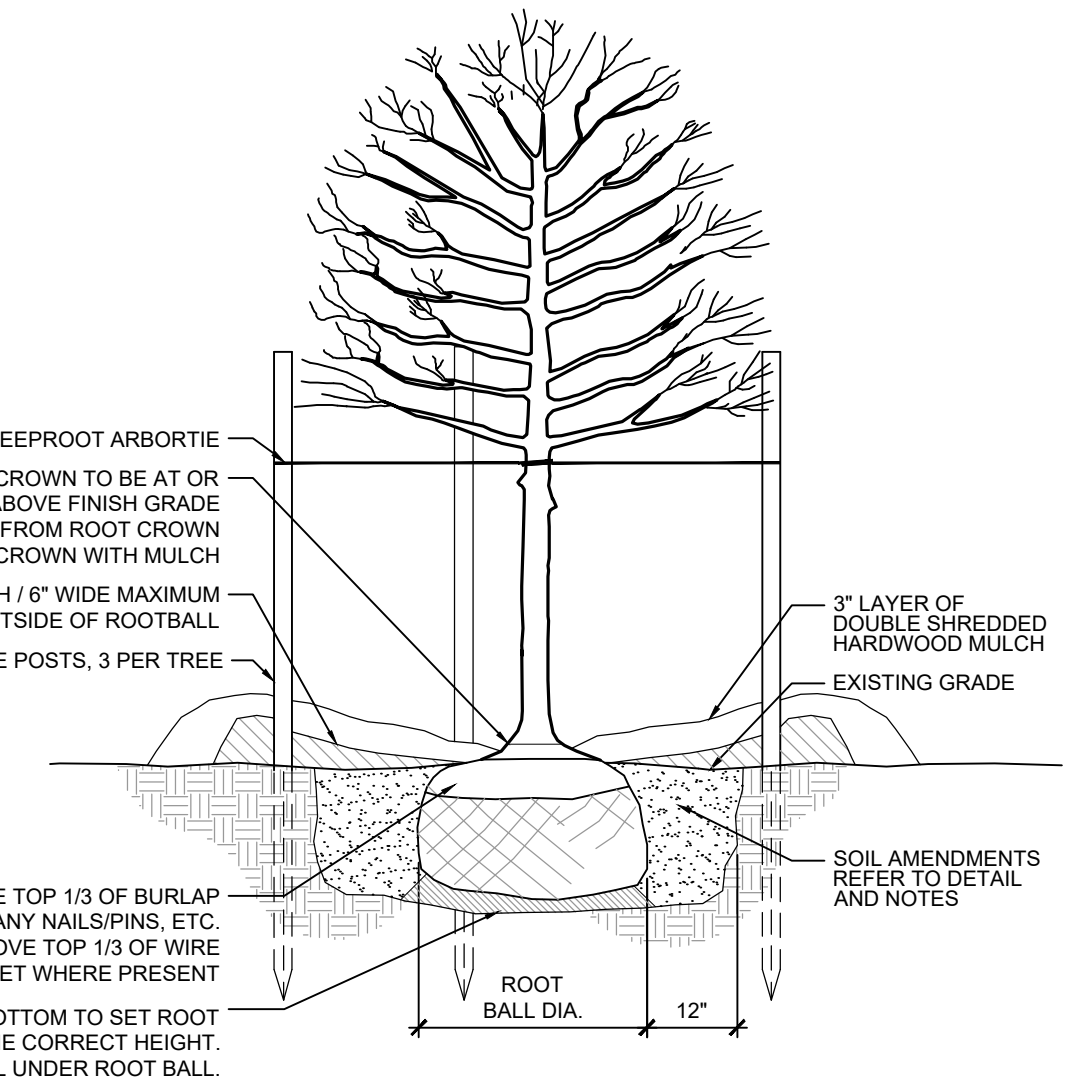


2 TRIANGULAR SPACING FOR SHRUBS & GROUND COVERS

L6-07A PLAN NTS



- NOTES:
1. ALL TREES ARE TO BE NURSERY GROWN. ALL TREES TO BE BALL AND BURLAP (B&B) OR CONTAINER GROWN AS SPECIFIED IN SCHEDULE.
2. COMPLETELY REMOVE ALL TREATED OR PLASTIC-COATED BURLAP, CONTAINERS, STRAPPING WIRE, OR NYLON TWINE FROM ROOTBALL PRIOR TO PLANTING.
3. INSTALL TOP OF PLANT BALL EVEN WITH OR 1\"/>

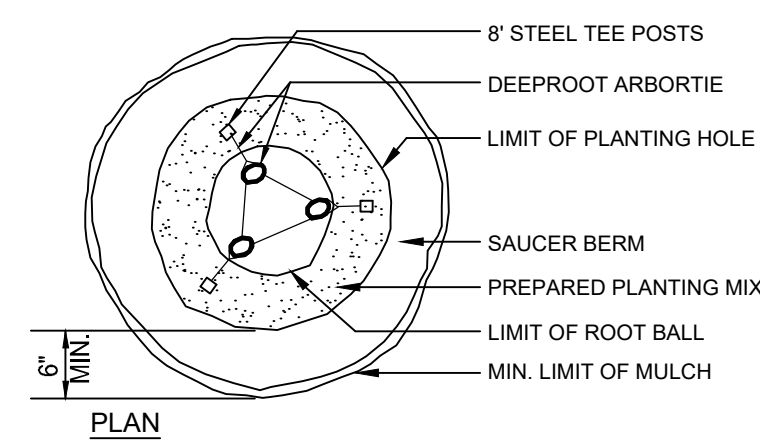


ALL TREES SHALL MEET AMERICAN STANDARD FOR NURSERY STOCK (ANSI Z60.1-2004)
FOR EXAMPLE: CALIPER HEIGHT (RANGE) MAX. HEIGHT MIN. ROOT BALL DIA. MIN. ROOT BALL DEPTH

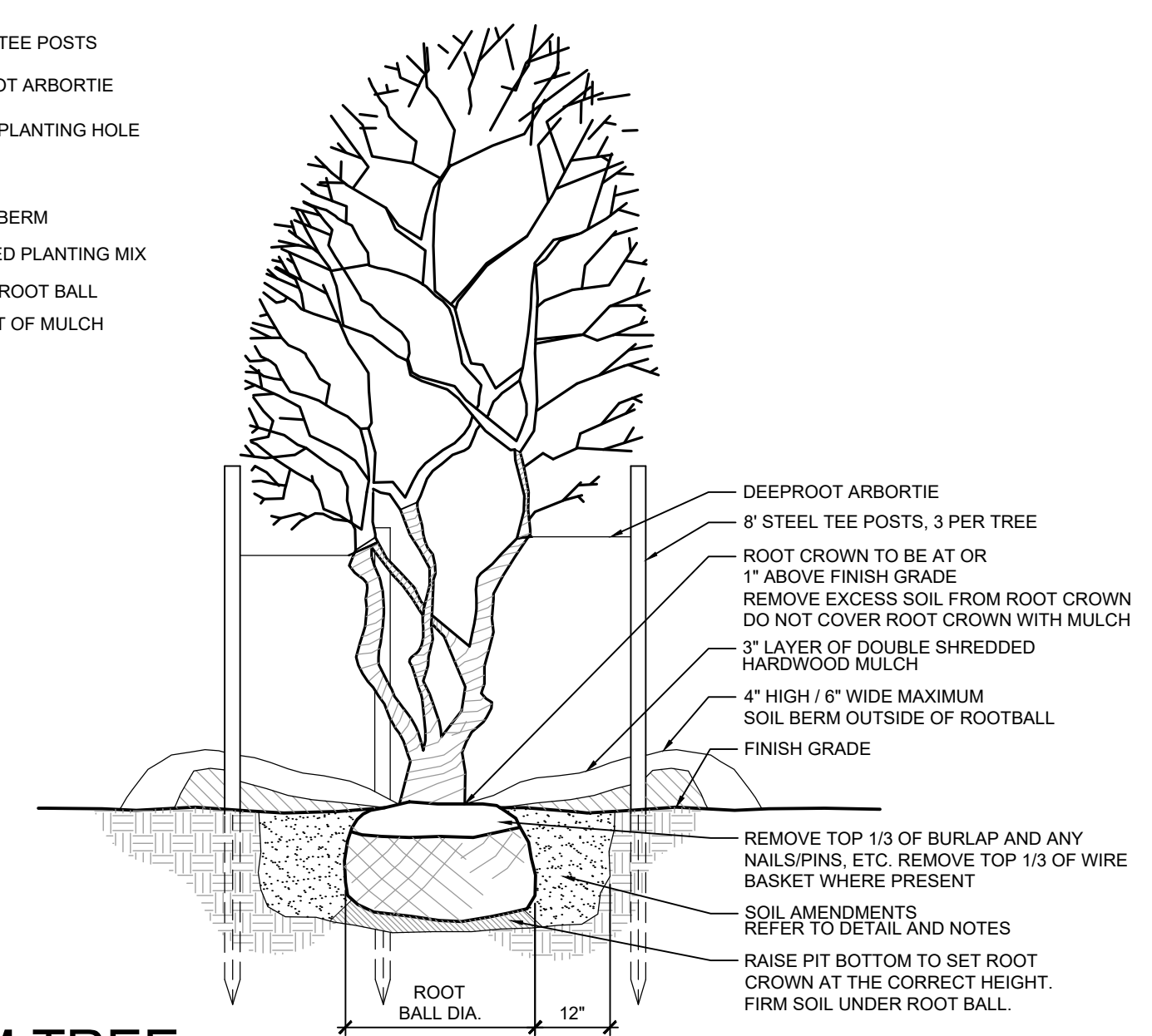
2"	12-14"	16'	24"	16"
3"	14-16"	18'	32"	21"

3 GROUND COVER PLANTING

L6-07A PLAN, SECTION NTS

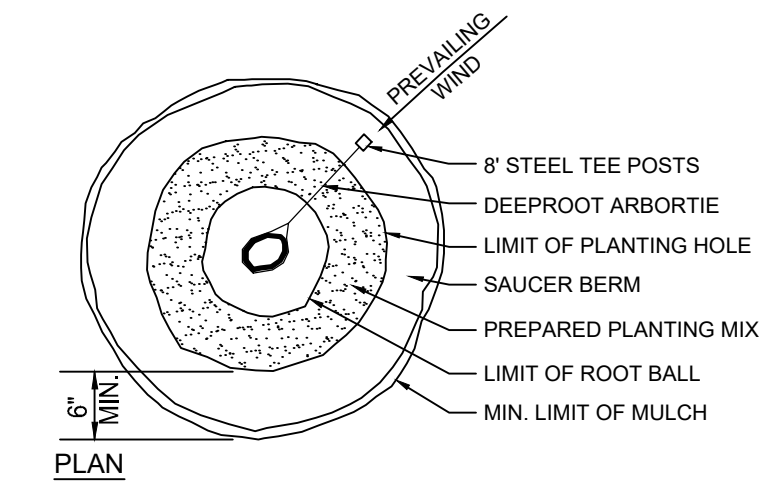


- NOTES:
1. ALL TREES ARE TO BE NURSERY GROWN. ALL TREES TO BE BALL AND BURLAP (B&B) OR CONTAINER GROWN AS SPECIFIED IN SCHEDULE.
2. COMPLETELY REMOVE ALL TREATED OR PLASTIC-COATED BURLAP, CONTAINERS, STRAPPING WIRE, OR NYLON TWINE FROM ROOTBALL PRIOR TO PLANTING.
3. INSTALL TOP OF PLANT BALL EVEN WITH OR 1\"/>

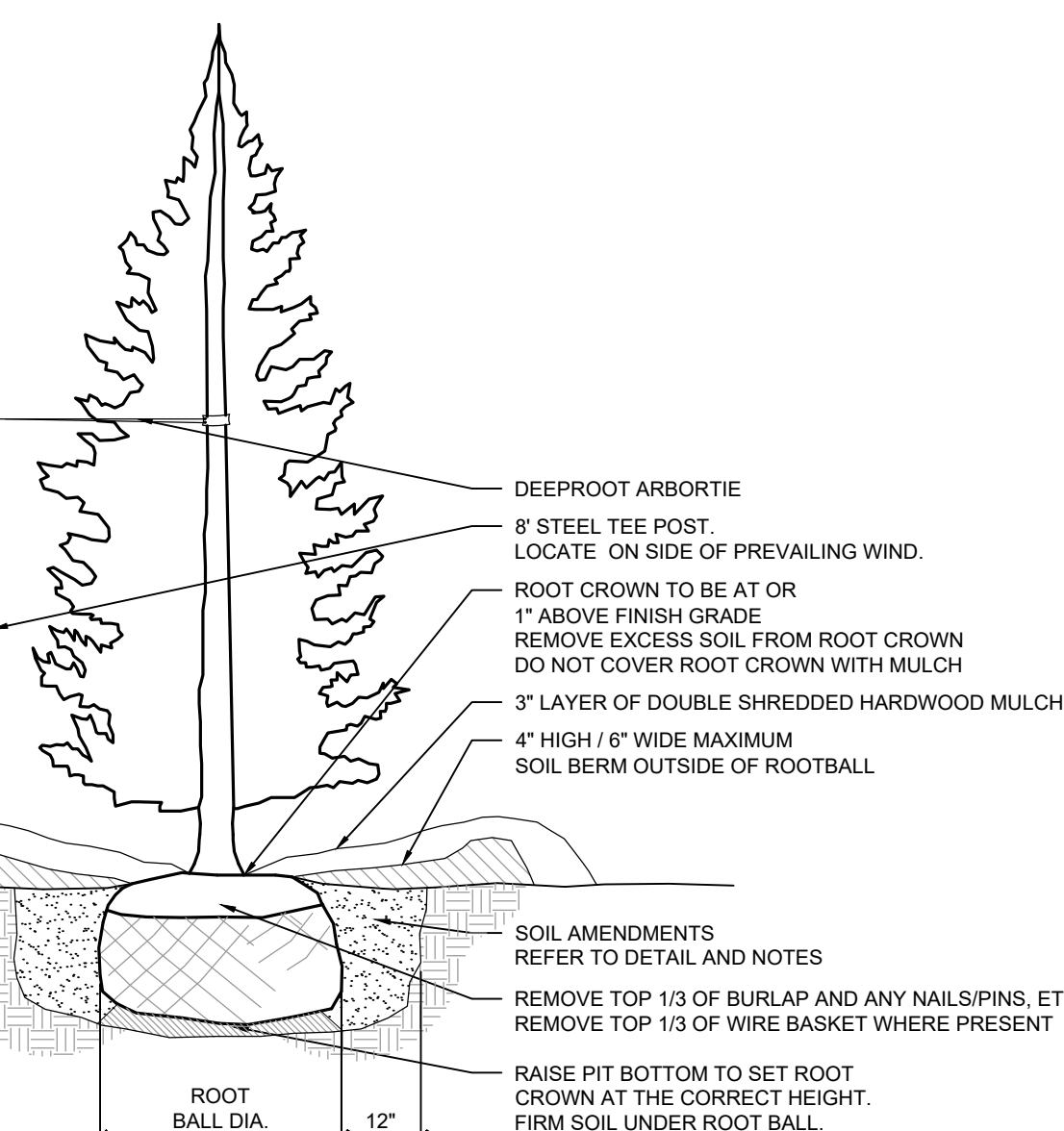


4 SHRUB PLANTING BED

L6-07A PLAN, SECTION NTS



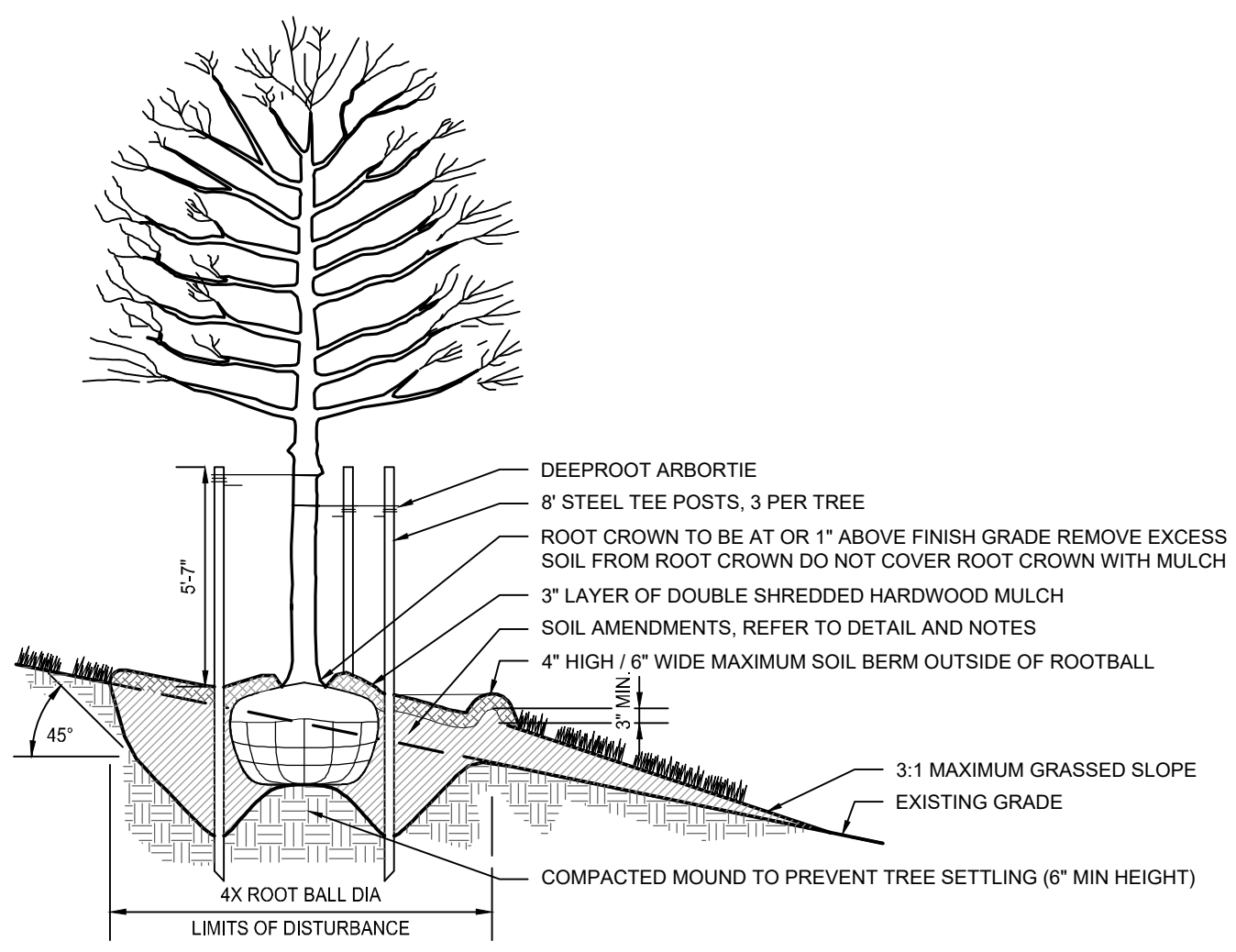
- NOTES:
1. ALL TREES ARE TO BE NURSERY GROWN. ALL TREES TO BE BALL AND BURLAP (B&B) OR CONTAINER GROWN AS SPECIFIED IN SCHEDULE.
2. COMPLETELY REMOVE ALL TREATED OR PLASTIC-COATED BURLAP, CONTAINERS, STRAPPING WIRE, OR NYLON TWINE FROM ROOTBALL PRIOR TO PLANTING.
3. INSTALL TOP OF PLANT BALL EVEN WITH OR 1\"/>



5 TREE PLANTING

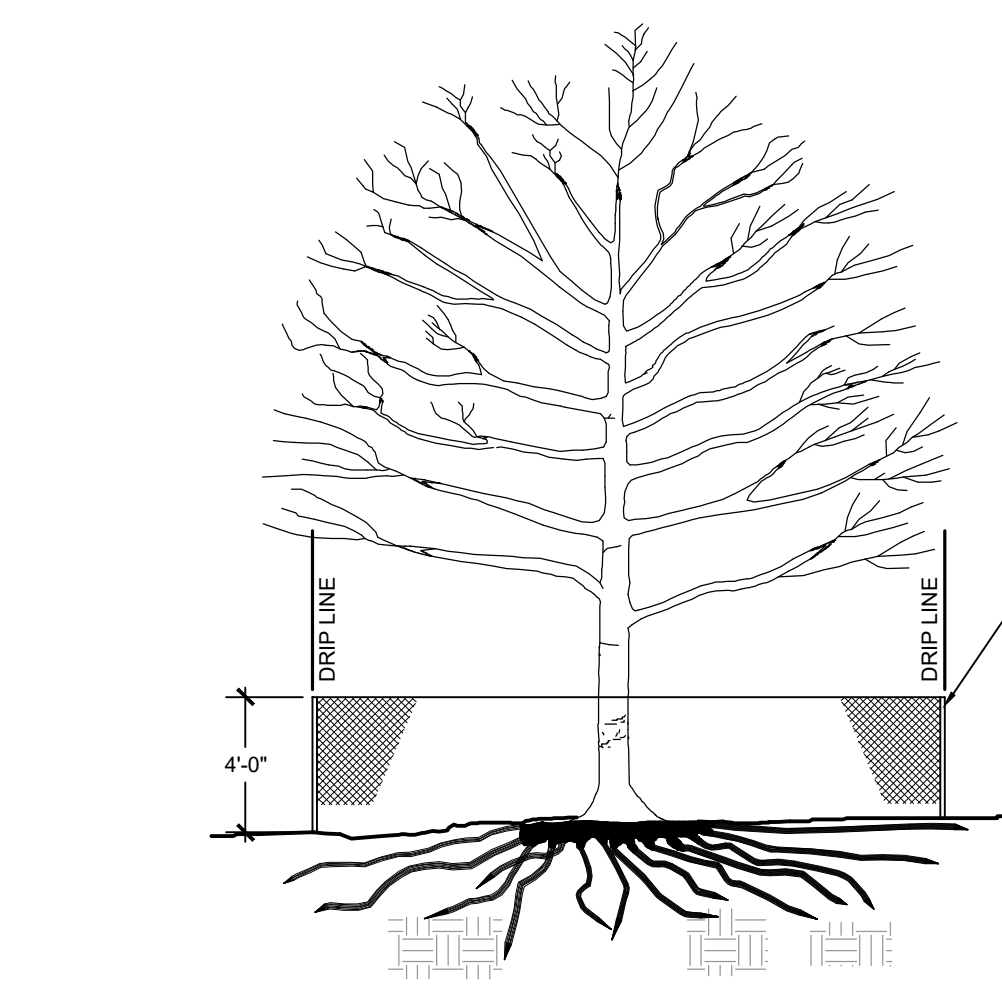
L6-07A PLAN, SECTION NTS

- NOTES:
1. ALL TREES ARE TO BE NURSERY GROWN. ALL TREES TO BE BALL AND BURLAP (B&B) OR CONTAINER GROWN AS SPECIFIED IN SCHEDULE.
2. COMPLETELY REMOVE ALL TREATED OR PLASTIC-COATED BURLAP, CONTAINERS, STRAPPING WIRE, OR NYLON TWINE FROM ROOTBALL PRIOR TO PLANTING.
3. INSTALL TOP OF PLANT BALL EVEN WITH OR 1\"/>



6 MULTI-STEM TREE

L6-07A PLAN, SECTION NTS



- NOTES:
1. REFER TO THE TREE REMOVAL PLAN FOR PROTECTED TREE LOCATIONS TO BE PRESERVED.
2. REFER TO THE CITY OF IRVING ORDINANCE SEC. 52-35a LANDSCAPING AND TREE PRESERVATION FOR ADDITIONAL INFORMATION REGARDING TREE PROTECTION MEASURES.
3. REMOVE ALL TREE PROTECTION FENCING UPON COMPLETION OF PROJECT OR AS DIRECTED BY THE TREE PRESERVATION AND ENFORCEMENT OFFICER OR AUTHORIZED DESIGNEE FROM THE CITY OF IRVING.

7 EVERGREEN TREE PLANTING

L6-07A PLAN, SECTION NTS

8 TREE PLANTING ON SLOPE

L6-07A SECTION NTS

9 TREE PROTECTION - PROTECTED TREE

L6-07A SECTION NTS

KEY MAP

SEAL



May 17 2021 4:26 PM DocuSign

PROJECT

PITTS & COMMUNITY
MCKINNEY, TEXAS

LANDDESIGN PROJ.# 8520115

REVISION / ISSUANCE

NO.	DESCRIPTION	DATE
	SITE PLAN SUBMITTAL	02.26.2021
	SITE PLAN SUBMITTAL	05.18.2021

DESIGNED BY:
DRAWN BY:
CHECKED BY:

SCALE: NORTH

VERT: N/A
HORZ: NTS

(NOT TO SCALE)

PLANTING DETAILS

SHEET NUMBER

L6-07A

