

Zipline in McKinney, TX



City Council Meeting

March 2025



Walmart Introduction

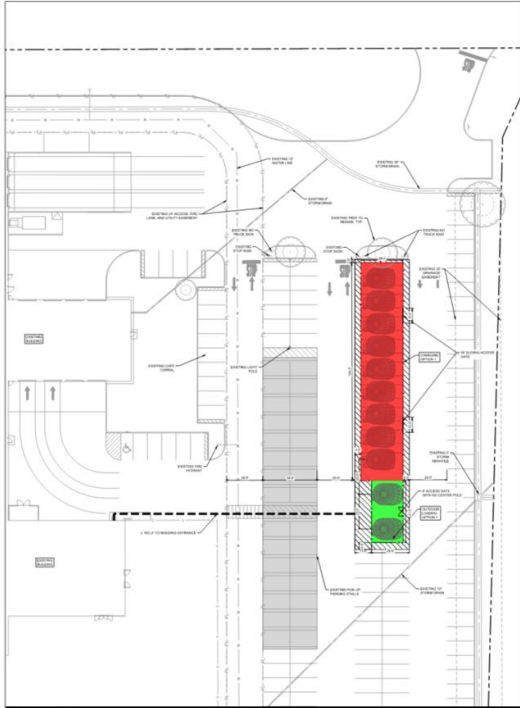
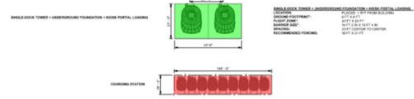
Kimley Horn Site Plan Review

Kimley-Horn Site Plan Review



NOTES

GENERAL SITE DATA	
DATE SUBMITTED	08/11/2023
PROJECT NAME	WALMART STORE #206-1007
PROJECT ADDRESS	206 S BRAY CENTRAL, MCKINNEY, TX 75069
PROJECT CONTACT	WALMART STORE #206-1007



INSET A
SCALE: 1"=20'

WALMART BUILDING INFO		PARKING INFORMATION									
WALMART	BUILDING SF ¹	ANU PARKING REQUIRED SPACES	WALMART PARKING SPACES	REGULAR PARKING STALLS PROVIDED SPACES ^{2,3}	OSP PARKING STALLS PROVIDED SPACES ^{2,3}	ZIPLINE PARKING STALLS REMOVED SPACES ^{2,3}	ADA PARKING STALLS PROVIDED SPACES ^{2,3}	CART CORRAL STALLS PROVIDED SPACES ^{2,3}	TOTAL STALLS PROVIDED SPACES ^{2,3}	TOTAL ANU PARKING RATIO	TOTAL WALMART PARKING RATIO
EXISTING	206,550 SF	826 SPACES 1,000/250 SF	826 SPACES 4,000/1,000 SF	947	30	0	21	30	998	1.21/250 SF	4.83/1,000 SF
PROPOSED	206,550 SF	826 SPACES 1,000/250 SF	826 SPACES 4,000/1,000 SF	907	30	40	21	30	958	1.16/250 SF	4.64/1,000 SF

CALCULATION INFORMATION NOTES:
 1. EXISTING PARKING COUNTS ARE BASED ON ORIGINAL CONSTRUCTION PLANS AND A REVIEW OF AVAILABLE AERIAL PHOTOGRAPHY.
 2. PARKING SPACES OCCUPIED BY CART CORRALS AND ZIPLINE HAVE BEEN EXCLUDED FROM THE PARKING COUNTS AND PARKING RATIOS.
 3. PARKING AND STORAGE OF VEHICLES, EQUIPMENT, OR STAGING AREAS OUTSIDE OF THE FENCED AREA IS NOT ALLOWED.
 4. REQUIRED ANU PARKING FROM CHAPTER-146-ZONING-REGULATIONS-SECTION 146-130 VEHICLE PARKING OF MCKINNEY CITY CODE

DESIGN / CODE SUMMARY

- REDUCTION OF PARKING STALLS:
OPTION 1 - 40 STALLS
- ENTITLEMENT SUMMARY:
- PORTFOLIO HAS NOT REVIEWED FOR ECR REQUIREMENTS
 - NO CODE CALL HAS BEEN SET FOR THIS SITE
 - BUILDING SQUARE FOOTAGE IS BASED ON MFC PLANS THAT IS DIFFERENT FROM LUCERNE-X

DISCLAIMERS

- WELLMARK DESIGN CONCEPT ONLY
- WALMART CONCEPTS HAVE NOT REVIEWED TO VERIFY PROPOSAL AS OF 8/11/2023

- SCOPE TRIP: MCKINNEY
- PROJECTED ENTITLEMENT SUBMITTAL: MCKINNEY
- PROJECTED ENTITLEMENT APPROVAL: MCKINNEY
- PROJECTED PHO: MCKINNEY
- PROJECTED PERMIT APPROVAL: MCKINNEY
- POSSESSION DATE: MCKINNEY
- CONSTRUCTION COMPLETE: MCKINNEY



#206-1007
MCKINNEY, TX



Zipline Drone Technology Overview

As seen in...

Q&A with the CEO of Zipline, the drone delivery company making moves in Dallas

The Dallas Morning News

"[Zipline] drone technology can meaningfully benefit communities and alleviate daily stresses."

Star-Telegram FORT WORTH



How you receive medicine and food in the future could involve Zipline drone technology

FOX

CBS NEWS THE WALL STREET JOURNAL.

DALLAS INNOVATES

The Kaufman  Herald

The Princeton Herald

NEWS NATION

Texas Monthly

Zipline is the world's largest drone delivery service



1.2M+ commercial drone deliveries



1,700 deliveries daily; one every **65 seconds**



85M+ miles of autonomous flight



Zero-emission, sustainable delivery

Zipline helps communities everyday



Saves time



Safer roads



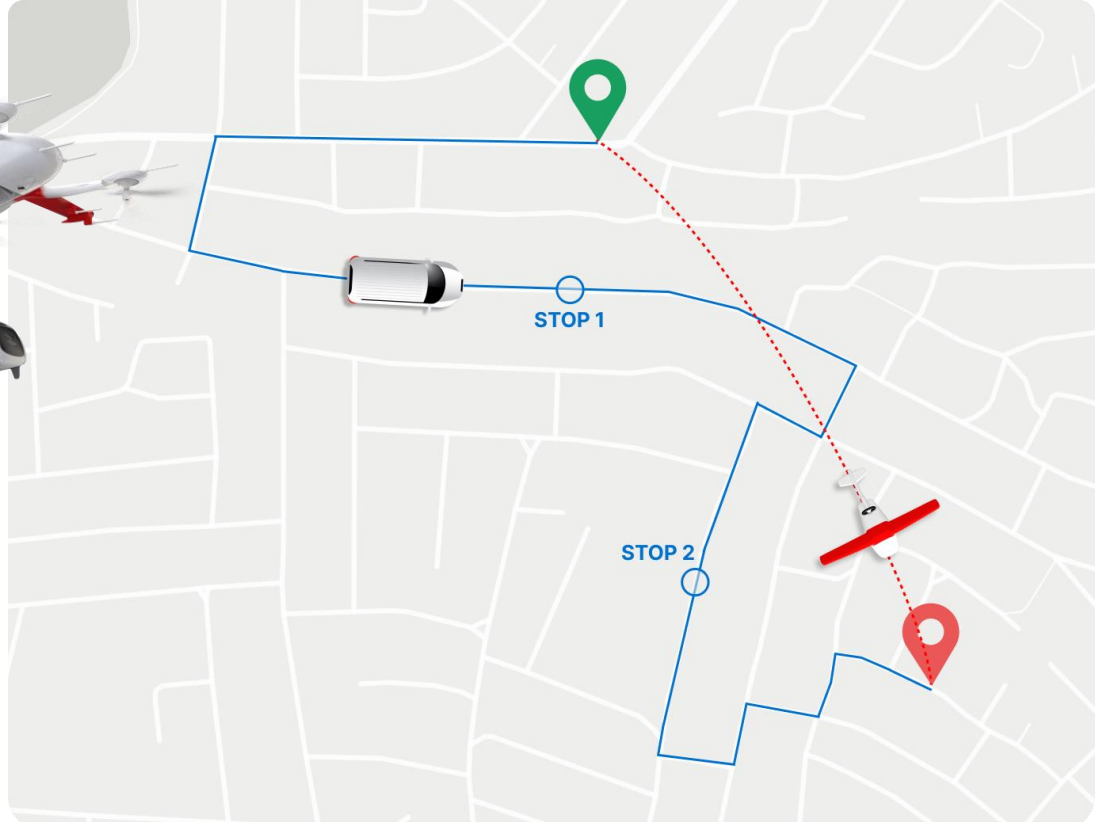
Reduced traffic



Economic opportunities



Improved access





Our Zip platform

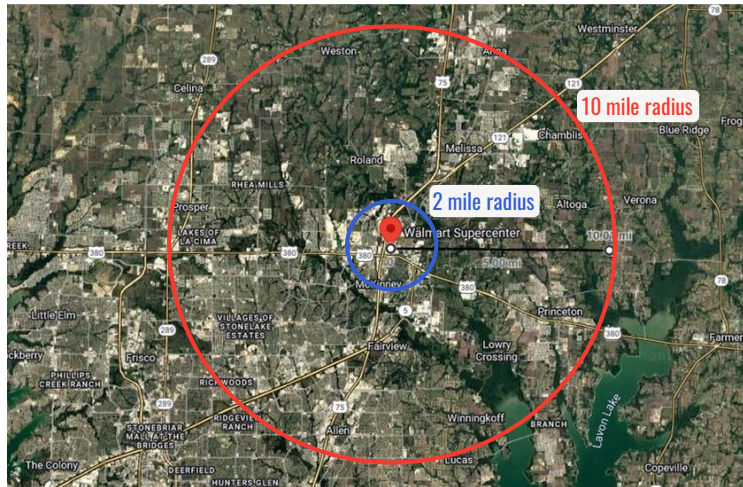


Technology Overview

Hyper-precise home delivery



- **Fully Autonomous**
- **Delivery:** Zip + ultra-precise delivery droid
- **Payload:** Up to 8 pounds
- **Service Radius:** Up to 10 miles service radius
- **Speed:** Up to 70mph
- **Wingspan:** 8 feet



A cute but mighty delivery droid



Food



Electronics



Grocery



Health & Wellness

Zips are quieter than common neighborhood sounds

Docking



100 ft away

Zip with no payload

53 dB(A)

Zip with max payload

64 dB(A)

Delivery



~300 ft



At delivery point

Zip delivery

<60 dB(A)

dB(A)

100

8X AS LOUD

JET FLYOVER AT 1000 FT

90

4X AS LOUD

PASSING MOTORCYCLE AT 15 FT

80

2X AS LOUD

FOOD BLENDER AT 3 FT

70

REFERENCE

TRUCK AT 50 FT

GARBAGE DISPOSAL AT 3 FT

VACUUM CLEANER AT 10 FT

LAWNMOWER AT 100 FT

60

1/2 AS LOUD

NORMAL CONVERSATION

CAR TRAFFIC AT 300 FT

50

1/4 AS LOUD

DISHWASHER NEXT ROOM

REFRIGERATOR NEXT ROOM

CONFERENCE ROOM

40

LIBRARY

30

RUSTLING LEAVES

Zipline has safely flown over 90 million miles



How we design

- Built-in critical system redundancies
- Two-part architecture
- Reliable materials



How we test

- Rigorously tested in extreme weather
- Extensive quality assurance and real-world testing



How we operate

- FAA certified just like major airlines
- Expert team tracks, manages, and maintains fleet 24/7

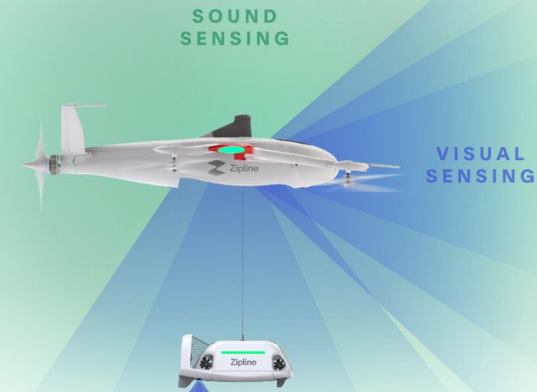
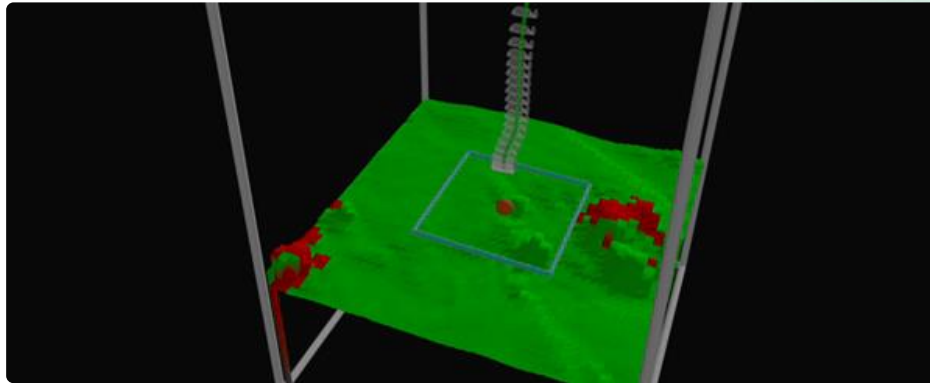


How we fly

- 500+ automated pre-flight safety inspections
- FlightIQ Autonomy and Perception System

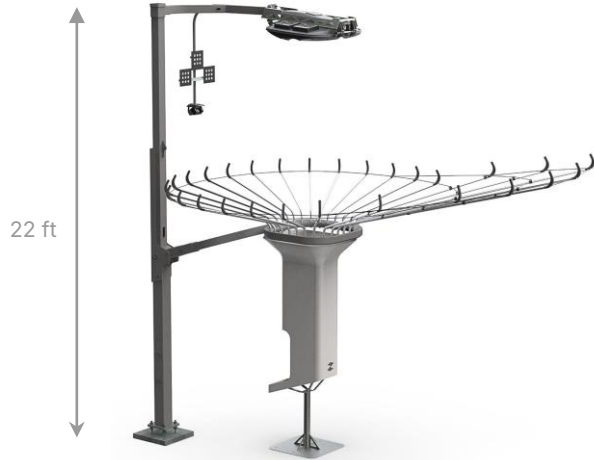
Zips use FlightIQ, our autonomy and perception suite that make flights and deliveries smarter and safer

- Designed for flight and delivery purposes
- Applies industry-standard tools to blur faces in visual data
- Cannot zoom or be pointed in a particular direction
- Does not identify individuals or read license plates



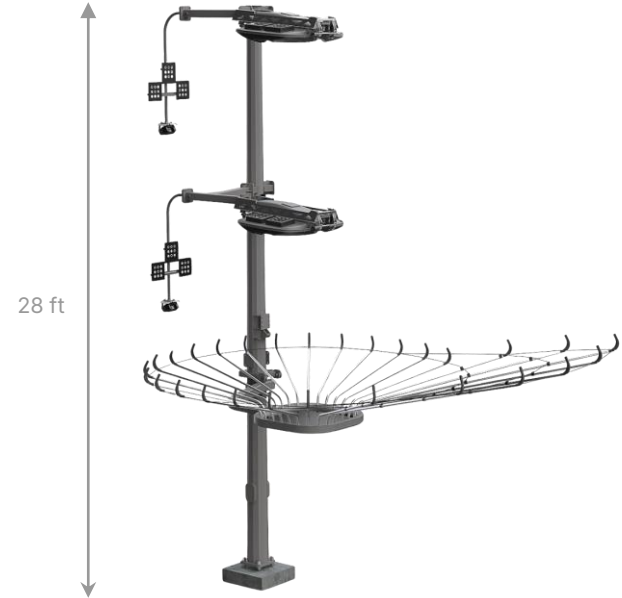
Site infrastructure – single & double dock towers

Single docks



Single Docking Structure with Kiosk (x2)

Double docks



Double Docking Charging Structure (x9)

Community engagement



thank you for coming in, I like how you're not just "trying" to change the world, but actually doing something to change the world



Want to get in touch?

Email us at DFW@flyzipline.com. We'd love to hear from you!

Thank you!

