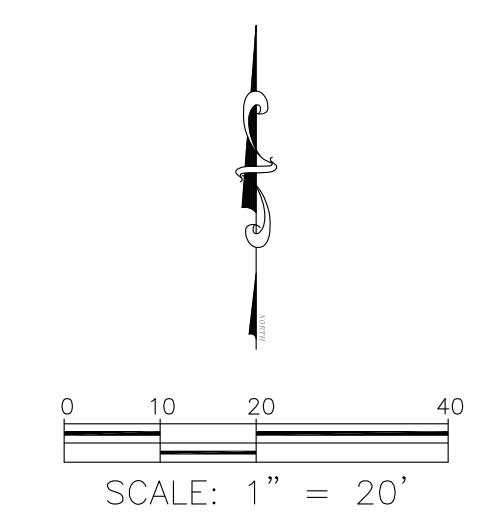


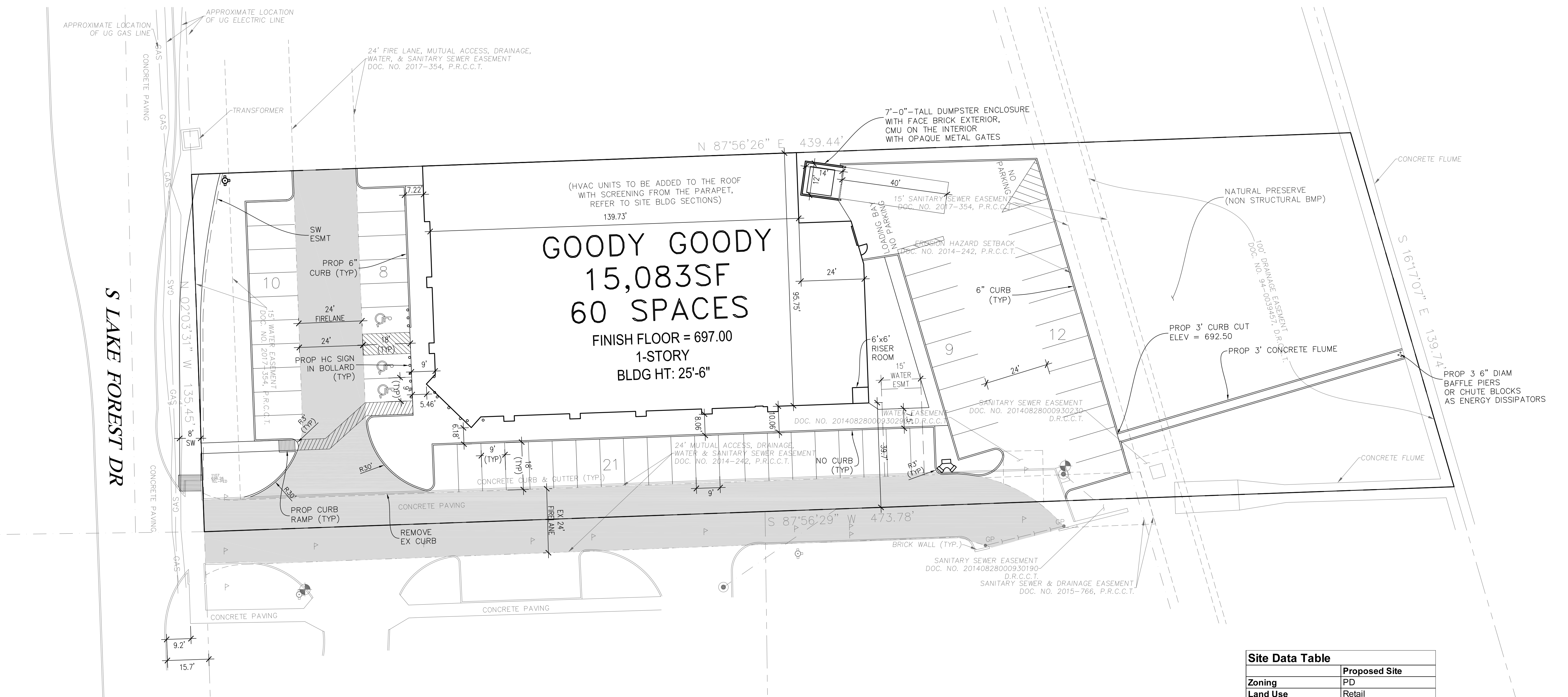
**GENERAL NOTES:**

1. THE CONTRACTOR SHALL VERIFY THE LOCATION, SIZE, AND MATERIAL OF ALL EXISTING UTILITIES AFFECTED BY CONSTRUCTION PRIOR TO COMMENCEMENT. CONTRACTOR SHALL CONTACT A UTILITY LOCATOR 48 HOURS PRIOR TO CONSTRUCTION.
2. THE CONTRACTOR SHALL BE RESPONSIBLE FOR OBTAINING ALL NECESSARY PERMITS FROM THE CITY.
3. THE CONTRACTOR SHALL BE SOLELY RESPONSIBLE FOR ALL CONSTRUCTION BEING IN ACCORDANCE WITH THE APPLICABLE FEDERAL, STATE, AND LOCAL REQUIREMENTS, REGULATIONS, STATUTES, STANDARDS, AND SPECIFICATIONS.
4. ALL MATERIALS AND WORKMANSHIP SHALL CONFORM TO THE STANDARD SPECIFICATIONS FOR PUBLIC WORKS CONSTRUCTION FOR NORTH CENTRAL TEXAS COUNCIL OF GOVERNMENTS, LATEST EDITION.
5. CONTRACTOR SHALL PROTECT EXISTING CONTROL MONUMENTATION AND BENCHMARKS. ANY SUCH POINTS WHICH THE CONTRACTOR BELIEVES WILL BE DESTROYED SHALL HAVE OFFSET POINTS ESTABLISHED BY THE CONTRACTOR PRIOR TO CONSTRUCTION, ANY MONUMENTATION DESTROYED BY THE CONTRACTOR SHALL BE REESTABLISHED AT HIS EXPENSE.
6. CONTRACTOR SHALL PROTECT ALL PUBLIC UTILITIES IN THE CONSTRUCTION OF THIS PROJECT.
7. ALL EARTHWORK OPERATIONS, PAVEMENT INSTALLATION, ETC. SHALL CONFORM TO THE RECOMMENDATION OF THE GEOTECHNICAL REPORT.
8. THE CONTRACTOR SHALL VERIFY THE SUITABILITY OF ALL EXISTING AND PROPOSED SITE CONDITIONS, INCLUDING GRADES AND DIMENSIONS BEFORE COMMENCEMENT OF ANY CONSTRUCTION. IN THE EVENT OF ANY CONFLICT, AND PRIOR TO COMMENCEMENT OF ANY CONSTRUCTION, IMMEDIATELY NOTIFY THE ENGINEER.
9. ALL CONCRETE PAVEMENT SHALL BE 3,500 PSI CONCRETE. CONCRETE THICKNESS SHALL BE 6" UNDER ALL FIRELANES AND HEAVY DUTY TRAFFIC AREAS, 6" UNDER MEDIUM DUTY TRAFFIC AREAS AND 5" UNDER ALL PARKING AREAS AS RECOMMENDED BY THE GEOTECHNICAL REPORT. PLEASE REFER TO GEOTECHNICAL REPORT.
10. THE FIRE LANE SHALL BE 6" OF REINFORCED CONCRETE ON 6" OF STABILIZED SOIL WITH A MINIMUM OF 30 LBS/SQ YD OF LIME OR CEMENT AS INDICATED IN THE GEOTECH REPORT. AN ALTERNATE SECTION IS ALLOWED AND MAY BE CONSTRUCTED WITH 8" OF REINFORCED CONCRETE ON 95% COMPACTED BASE. \*\*\*\*\*CITY MAY HAVE ADDITIONAL REQUIREMENTS (ADD AS REQUIRED)\*\*\*\*\*
11. DIMENSIONS ARE FACE OF CURB OR FACE OF BUILDING, UNLESS OTHERWISE INDICATED. \*\*\*\*\*CITY MAY HAVE ADDITIONAL REQUIREMENTS (ADD AS REQUIRED)\*\*\*\*\*
12. ALL CONNECTIONS TO EXISTING PAVING SHALL HAVE A FULL DEPTH SAWCUT.
13. EROSION CONTROL SHALL BE IN PLACE PRIOR TO THE DISTURBANCE OF ANY EXISTING SURFACE.
14. THE SANITATION CONTAINER SCREENING WALLS SHALL BE BRICK MASONRY, STONE MASONRY, OR OTHER ARCHITECTURAL MASONRY FINISH, INCLUDING A METAL GATE, PRIMED AND PAINTED, AND THE SANITATION CONTAINER SCREENING WALLS, GATE, AND PAD SITE SHALL BE CONSTRUCTED IN ACCORDANCE WITH THE CITY DESIGN SPECIFICATIONS.
15. MECHANICAL AND HEATING AND AIR CONDITIONING EQUIPMENT SHALL BE ROOF MOUNTED.
16. THE LIGHTING FOR THE SUBJECT PROPERTY WILL BE CONSTRUCTED AND OPERATED IN CONFORMANCE WITH CHAPTER 58 OF THE CITY OF MCKINNEY CODE OF ORDINANCES.



**LEGEND**

- FIRELANE
- EXPANSION JOINT



Site Data Table	
	Proposed Site
Zoning	PD
Land Use	Retail
Lot Area	61,846 SF
Lot Coverage	41,442/61,846=67.0%
Floor Area Ratio	15,083/61,846=24.4%
Building Height	25'-6"
Impervious Area	41,442 SF (67.0%)
Required Parking	1 Space/250 SF 15083/250 = 60 Spaces
Provided Parking	60 Spaces

PROJECT NAME:  
**S LAKE FOREST DR**  
**GOODY GOODY**  
 MCKINNEY, TEXAS

SHEET TITLE:  
**SITE PLAN**

PRELIMINARY  
 NOT FOR  
 CONSTRUCTION

**JOHN H BEZNER**  
 PE # 98469

DATE 5/16/23  
 SCALE 1"=20'  
 SHEET **3**  
 OF **10**

5900 S LAKE FOREST DR, STE. 300  
 MCKINNEY, TX 75070  
 972-554-1100 (Office)  
 1-866-682-8129 (Fax)  
 TBPE Firm #: 9723

**CIVIL POINT**  
 ENGINEERS